

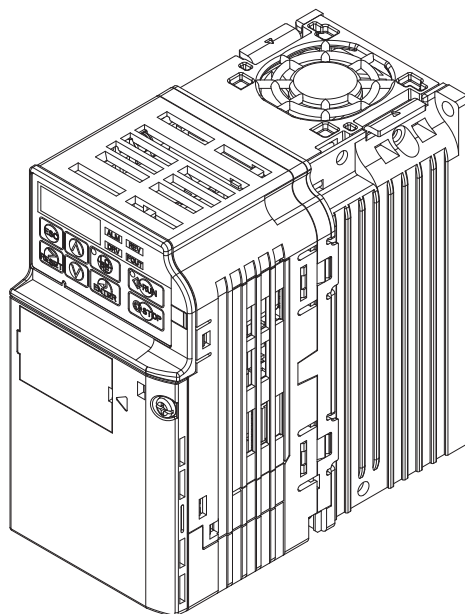
## YASKAWA AC Drive-J1000

### Compact V/f Control Drive

# Technical Manual

Type: CIMR-JU

Models: 200 V Class, Three-Phase Input: 0.1 to 5.5 kW  
200 V Class, Single-Phase Input: 0.1 to 2.2 kW  
400 V Class, Three-Phase Input: 0.2 to 5.5 kW



Receiving **1**

Mechanical Installation **2**

Electrical Installation **3**

Start-Up Programming & Operation **4**

Parameter Details **5**

Troubleshooting **6**

Periodic Inspection & Maintenance **7**

Peripheral Devices & Options **8**

Specifications **A**

Parameter List **B**

MEMOBUS/Modbus Communications **C**

Standards Compliance **D**

Quick Reference Sheet **E**

Copyright © 2008 YASKAWA ELECTRIC CORPORATION.

No part of this publication may be reproduced, stored in a retrieval system, or transmitted, in any form or by any means, mechanical, electronic, photocopying, recording, or otherwise, without the prior written permission of Yaskawa. No patent liability is assumed with respect to the use of the information contained herein. Moreover, because Yaskawa is constantly striving to improve its high-quality products, the information contained in this manual is subject to change without notice. Every precaution has been taken in the preparation of this manual. Yaskawa assumes no responsibility for errors or omissions. Neither is any liability assumed for damages resulting from the use of the information contained in this publication.

# Table of Contents

|  |           |
|--|-----------|
| <b>i. PREFACE &amp; GENERAL SAFETY</b> .....           | <b>9</b>  |
| <b>i.1 Preface</b> .....                               | <b>10</b> |
| Applicable Documentation.....                          | 10        |
| Symbols.....   | 10        |
| Terms and Abbreviations .....                          | 10        |
| <b>i.2 General Safety</b> .....                        | <b>11</b> |
| Supplemental Safety Information .....                  | 11        |
| Safety Messages.....                                   | 11        |
| Drive Label Warnings .....                             | 13        |
| Warranty Information.....                              | 14        |
| Quick Reference.....                                   | 14        |
| <b>1. RECEIVING</b> .....                              | <b>15</b> |
| <b>1.1 Section Safety</b> .....                        | <b>16</b> |
| <b>1.2 Model Number and Nameplate Check</b> .....      | <b>17</b> |
| Nameplate .....  | 17        |
| <b>1.3 Component Names</b> .....                       | <b>19</b> |
| IP20/Open-Chassis .....                                | 19        |
| Front Views .....                                      | 21        |
| <b>2. MECHANICAL INSTALLATION</b> .....                | <b>23</b> |
| <b>2.1 Section Safety</b> .....                        | <b>24</b> |
| <b>2.2 Mechanical Installation</b> .....               | <b>26</b> |
| Installation Environment.....                          | 26        |
| Installation Orientation and Spacing.....              | 27        |
| Exterior and Mounting Dimensions .....                 | 28        |
| <b>3. ELECTRICAL INSTALLATION</b> .....                | <b>31</b> |
| <b>3.1 Section Safety</b> .....                        | <b>32</b> |
| <b>3.2 Standard Connection Diagram</b> .....           | <b>34</b> |
| <b>3.3 Main Circuit Connection Diagram</b> .....       | <b>37</b> |
| Single-Phase 200 V Class Models BA0001 to BA0010 ..... | 37        |
| Three-Phase 200 V Class Models 2A0001 to 2A0020 .....  | 37        |
| Three-Phase 400 V Class Models 4A0001 to 4A0011 .....  | 37        |
| <b>3.4 Terminal Block Configuration</b> .....          | <b>38</b> |
| <b>3.5 Protective Covers</b> .....                     | <b>39</b> |
| IP20/Open-Chassis Cover Removal and Installation ..... | 39        |

|             |  |           |
|-------------|--|-----------|
| <b>3.6</b>  | <b>Main Circuit Wiring</b> .....                         | <b>40</b> |
|             | Main Circuit Terminal Functions.....                     | 40        |
|             | Wire Gauges and Tightening Torques .....                 | 40        |
|             | Main Circuit Terminal Power Supply and Motor Wiring..... | 42        |
| <b>3.7</b>  | <b>Control Circuit Wiring</b> .....                      | <b>44</b> |
|             | Control Circuit Terminal Block Functions .....           | 44        |
|             | Terminal Configuration .....                             | 45        |
|             | Wiring Procedure.....                                    | 46        |
| <b>3.8</b>  | <b>I/O Connections</b> .....                             | <b>48</b> |
|             | Sinking/Sourcing Mode Switch.....                        | 48        |
| <b>3.9</b>  | <b>Main Frequency Reference</b> .....                    | <b>50</b> |
|             | DIP Switch S1 Analog Input Signal Selection .....        | 50        |
| <b>3.10</b> | <b>Braking Resistor</b> .....                            | <b>51</b> |
|             | Installation .....                                       | 51        |
| <b>3.11</b> | <b>Interlocking with Connected Machinery</b> .....       | <b>53</b> |
|             | Drive Ready Signal.....                                  | 53        |
| <b>3.12</b> | <b>Wiring Checklist</b> .....                            | <b>54</b> |
| <b>4.</b>   | <b>START-UP PROGRAMMING &amp; OPERATION</b> .....        | <b>55</b> |
| <b>4.1</b>  | <b>Section Safety</b> .....                              | <b>56</b> |
| <b>4.2</b>  | <b>Using the Digital LED Operator</b> .....              | <b>58</b> |
|             | Keys, Displays, and LEDs .....                           | 58        |
|             | Digital Text Display.....                                | 59        |
|             | LED Screen Displays .....                                | 59        |
|             | LO/RE LED and RUN LED Indications.....                   | 60        |
|             | Menu Structure for Digital LED Operator .....            | 61        |
| <b>4.3</b>  | <b>The Drive and Programming Modes</b> .....             | <b>62</b> |
|             | Navigating the Drive and Programming Modes.....          | 62        |
|             | Changing Parameter Settings or Values .....              | 65        |
|             | Verifying Parameter Changes: Verify Menu .....           | 66        |
|             | Switching Between LOCAL and REMOTE.....                  | 66        |
|             | Parameters Available in the Setup Group.....             | 67        |
| <b>4.4</b>  | <b>Start-up Flowchart</b> .....                          | <b>68</b> |
|             | Flowchart: Basic Start-up .....                          | 68        |
| <b>4.5</b>  | <b>Powering Up the Drive</b> .....                       | <b>69</b> |
|             | Powering Up the Drive and Operation Status Display.....  | 69        |
|             | V/f Pattern Setting .....                                | 69        |
| <b>4.6</b>  | <b>No-Load Operation Test Run</b> .....                  | <b>70</b> |
|             | No-Load Operation Test Run .....                         | 70        |
| <b>4.7</b>  | <b>Test Run with Load Connected</b> .....                | <b>71</b> |
|             | Test Run with the Load Connected .....                   | 71        |
| <b>4.8</b>  | <b>Verifying and Backing Up Parameter Settings</b> ..... | <b>72</b> |
|             | Parameter Access Level: A1-01 .....                      | 72        |
|             | Password Settings: A1-04, A1-05 .....                    | 72        |
|             | Copy Function (Optional) .....                           | 72        |
| <b>4.9</b>  | <b>Test Run Checklist</b> .....                          | <b>73</b> |
| <b>5.</b>   | <b>PARAMETER DETAILS</b> .....                           | <b>75</b> |

|             |   |            |
|-------------|---|------------|
| <b>5.1</b>  | <b>A: Initialization</b> .....                    | <b>76</b>  |
|             | A1: Initialization .....                          | 76         |
| <b>5.2</b>  | <b>b: Application</b> .....                       | <b>79</b>  |
|             | b1: Mode of Operation.....                        | 79         |
|             | b2: DC Injection Braking.....                     | 83         |
| <b>5.3</b>  | <b>C: Tuning</b> .....                            | <b>85</b>  |
|             | C1: Acceleration and Deceleration Times .....     | 85         |
|             | C2: S-Curve Characteristics .....                 | 86         |
|             | C3: Slip Compensation.....                        | 86         |
|             | C4: Torque Compensation .....                     | 87         |
|             | C6: Carrier Frequency.....                        | 87         |
| <b>5.4</b>  | <b>d: Reference Settings</b> .....                | <b>90</b>  |
|             | d1: Frequency Reference.....                      | 90         |
|             | d2: Frequency Upper/Lower Limits .....            | 91         |
|             | d3: Jump Frequency.....                           | 92         |
|             | d4: Frequency Hold Function .....                 | 93         |
| <b>5.5</b>  | <b>E: Motor Parameters</b> .....                  | <b>94</b>  |
|             | E1: V/f Characteristics.....                      | 94         |
|             | E2: Motor 1 Parameters .....                      | 96         |
| <b>5.6</b>  | <b>H: Terminal Functions</b> .....                | <b>98</b>  |
|             | H1: Multi-Function Digital Inputs .....           | 98         |
|             | H2: Multi-Function Output .....                   | 103        |
|             | H3: Analog Input Terminal A1 Settings .....       | 107        |
|             | H4: Multi-Function Analog Output Terminal AM..... | 110        |
|             | H5: MEMOBUS/Modbus Serial Communication .....     | 111        |
| <b>5.7</b>  | <b>L: Protection Functions</b> .....              | <b>112</b> |
|             | L1: Motor Protection Functions .....              | 112        |
|             | L2: Momentary Power Loss Ride-Thru.....           | 113        |
|             | L3: Stall Prevention .....                        | 114        |
|             | L4: Speed Agree .....                             | 116        |
|             | L5: Fault Restart.....                            | 117        |
|             | L6: Torque Detection.....                         | 117        |
|             | L8: Hardware Protection.....                      | 118        |
| <b>5.8</b>  | <b>n: Special Adjustments</b> .....               | <b>121</b> |
|             | n1: Hunting Prevention.....                       | 121        |
|             | n3: Overexcitation Deceleration .....             | 121        |
| <b>5.9</b>  | <b>o: Operator Related Settings</b> .....         | <b>122</b> |
|             | o1: Display Settings and Selections .....         | 122        |
|             | o2: Operator Key Selections .....                 | 122        |
|             | o3: Copy Function .....                           | 123        |
|             | o4: Maintenance Monitor Settings.....             | 124        |
| <b>5.10</b> | <b>U: Monitor Parameters</b> .....                | <b>126</b> |
|             | U1: Operation Status Monitors .....               | 126        |
|             | U2: Fault History.....                            | 126        |
|             | U4: Maintenance Monitors .....                    | 126        |
| <b>6.</b>   | <b>TROUBLESHOOTING</b> .....                      | <b>127</b> |
| <b>6.1</b>  | <b>Section Safety</b> .....                       | <b>128</b> |
| <b>6.2</b>  | <b>Motor Performance Fine Tuning</b> .....        | <b>130</b> |

## Table of Contents

---

|  |            |
|--|------------|
| Parameters for Tuning the Drive .....  | 130        |
| Motor Hunting and Oscillation Control Parameters .....   | 130        |
| <b>6.3 Drive Alarms, Faults, and Errors .....</b>  | <b>131</b> |
| Types of Alarms, Faults, and Errors .....  | 131        |
| Alarm and Error Displays .....   | 131        |
| <b>6.4 Fault Detection .....</b>   | <b>133</b> |
| Fault Displays, Causes, and Possible Solutions .....   | 133        |
| <b>6.5 Alarm Detection .....</b>   | <b>141</b> |
| Alarm Codes, Causes, and Possible Solutions .....  | 141        |
| <b>6.6 Operator Programming Errors .....</b>   | <b>145</b> |
| oPE Codes, Causes, and Possible Solutions .....  | 145        |
| <b>6.7 Diagnosing and Resetting Faults.....</b>  | <b>147</b> |
| Fault Occurs Simultaneously with Power Loss .....  | 147        |
| If the Drive Still has Power After a Fault Occurs .....  | 147        |
| Viewing Fault History Data After Fault .....   | 147        |
| Fault Reset Methods .....  | 147        |
| <b>6.8 Troubleshooting without Fault Display .....</b>   | <b>148</b> |
| Cannot Change Parameter Settings .....   | 148        |
| Motor Does Not Rotate Properly after Pressing RUN Button or after Entering External Run<br>Command ..... | 148        |
| <b>7. PERIODIC INSPECTION &amp; MAINTENANCE .....</b>  | <b>155</b> |
| <b>7.1 Section Safety.....</b>   | <b>156</b> |
| <b>7.2 Inspection .....</b>  | <b>158</b> |
| Recommended Daily Inspection.....  | 158        |
| Recommended Periodic Inspection.....   | 159        |
| <b>7.3 Periodic Maintenance .....</b>  | <b>160</b> |
| Replacement Parts .....  | 160        |
| <b>7.4 Drive Cooling Fans.....</b>   | <b>162</b> |
| Number of Cooling Fans .....   | 162        |
| Cooling Fan Replacement.....   | 163        |
| <b>8. PERIPHERAL DEVICES &amp; OPTIONS .....</b>   | <b>165</b> |
| <b>8.1 Section Safety.....</b>   | <b>166</b> |
| <b>8.2 Drive Options and Peripheral Devices .....</b>  | <b>167</b> |
| <b>8.3 Connecting Peripheral Devices .....</b>   | <b>168</b> |
| <b>8.4 Installing Peripheral Devices .....</b>   | <b>169</b> |
| Installing a Molded Case Circuit Breaker (MCCB) and Earth Leakage Circuit Breaker (ELCB) .....           | 169        |
| Application Precautions when Installing a GFCI .....   | 169        |
| Installing a Magnetic Contactor .....  | 169        |
| Connecting an AC Reactor or DC Link Choke .....  | 170        |
| Connecting a Surge Suppressor .....  | 171        |
| Connecting a Noise Filter .....  | 171        |
| EMC Filter Installation .....  | 173        |
| Zero-Phase Reactor .....   | 173        |
| Installing Fuses on the Input Side .....   | 173        |
| Attachment for External Heatsink.....  | 173        |
| Noise Filter Installation .....  | 173        |

|  |            |
|--|------------|
| Installing a Motor Thermal Overload (oL) Relay on the Drive Output ..... | 173        |
| NEMA Type 1 Kit.....   | 174        |
| <b>8.5 Options .....</b>   | <b>179</b> |
| Interface Options.....   | 179        |
| Other Options .....  | 179        |
| <b>A. SPECIFICATIONS .....</b>   | <b>181</b> |
| <b>A.1 Heavy Duty and Normal Duty Ratings.....</b>                       | <b>182</b> |
| <b>A.2 Single/Three-Phase 200 V Class Drives .....</b>                   | <b>183</b> |
| <b>A.3 Three-Phase 400 V Class Drives .....</b>                          | <b>184</b> |
| <b>A.4 Drive Specifications .....</b>                                    | <b>185</b> |
| <b>A.5 Drive Watt Loss Data .....</b>                                    | <b>187</b> |
| <b>A.6 Drive Derating Data .....</b>                                     | <b>188</b> |
| Carrier Frequency Derating.....  | 188        |
| Temperature Derating .....   | 188        |
| Altitude Derating.....   | 188        |
| <b>B. PARAMETER LIST.....</b>  | <b>189</b> |
| <b>B.1 Parameter Groups .....</b>  | <b>190</b> |
| <b>B.2 Parameter Table .....</b>   | <b>191</b> |
| A: Initialization Parameters.....  | 191        |
| b: Application.....  | 191        |
| C: Tuning.....   | 192        |
| d: References .....  | 194        |
| E: Motor Parameters .....  | 195        |
| H Parameters: Multi-Function Terminals.....                              | 196        |
| L: Protection Function .....   | 199        |
| n: Advanced Performance Set-Up.....                                      | 202        |
| o: Operator Related Parameters .....                                     | 202        |
| U: Monitors .....  | 203        |
| <b>B.3 Defaults by Drive Model and Duty Rating ND/HD.....</b>            | <b>206</b> |
| <b>C. MEMOBUS/MODBUS COMMUNICATIONS.....</b>                             | <b>209</b> |
| <b>C.1 Section Safety.....</b>   | <b>210</b> |
| <b>C.2 MEMOBUS/Modbus Configuration .....</b>                            | <b>211</b> |
| <b>C.3 Communication Specifications.....</b>                             | <b>212</b> |
| <b>C.4 Connecting to a Network .....</b>                                 | <b>213</b> |
| Network Cable Connection.....  | 213        |
| Wiring Diagram for Multiple Connections .....                            | 214        |
| Network Termination .....  | 216        |
| <b>C.5 MEMOBUS/Modbus Setup Parameters .....</b>                         | <b>217</b> |
| MEMOBUS/Modbus Serial Communication.....                                 | 217        |
| <b>C.6 Drive Operations by MEMOBUS/Modbus.....</b>                       | <b>220</b> |
| Observing the Drive Operation.....                                       | 220        |
| Controlling the Drive.....   | 220        |
| <b>C.7 Communications Timing.....</b>                                    | <b>221</b> |
| Command Messages from Master to Drive.....                               | 221        |
| Response Messages from Drive to Master .....                             | 221        |

|             |  |            |
|-------------|--|------------|
| <b>C.8</b>  | <b>Message Format</b> .....                          | <b>222</b> |
|             | Message Content .....                                | 222        |
|             | Slave Address .....                                  | 222        |
|             | Function Code .....                                  | 222        |
|             | Data .....   | 222        |
|             | Error Check .....                                    | 222        |
| <b>C.9</b>  | <b>Message Examples</b> .....                        | <b>224</b> |
|             | Reading Drive MEMOBUS/Modbus Register Contents ..... | 224        |
|             | Loopback Test.....                                   | 224        |
|             | Writing to Multiple Registers.....                   | 225        |
| <b>C.10</b> | <b>MEMOBUS/Modbus Data Table</b> .....               | <b>226</b> |
|             | Command Data .....                                   | 226        |
|             | Monitor Data.....                                    | 227        |
|             | Broadcast Messages.....                              | 231        |
|             | Fault History Contents.....                          | 232        |
|             | Alarm Register Contents .....                        | 232        |
| <b>C.11</b> | <b>Changing Drive Parameters</b> .....               | <b>233</b> |
|             | Drive Operations on Parameter Change.....            | 233        |
|             | Issuing an Enter Command.....                        | 233        |
| <b>C.12</b> | <b>Communication Errors</b> .....                    | <b>234</b> |
|             | MEMOBUS/Modbus Error Codes.....                      | 234        |
|             | Slave Not Responding.....                            | 234        |
| <b>C.13</b> | <b>Self-Diagnostics</b> .....                        | <b>235</b> |
| <b>D.</b>   | <b>STANDARDS COMPLIANCE</b> .....                    | <b>237</b> |
| <b>D.1</b>  | <b>Section Safety</b> .....                          | <b>238</b> |
| <b>D.2</b>  | <b>European Standards</b> .....                      | <b>240</b> |
|             | CE Low Voltage Directive Compliance.....             | 240        |
|             | EMC Guidelines Compliance .....                      | 242        |
| <b>D.3</b>  | <b>UL Standards</b> .....                            | <b>247</b> |
|             | UL Standards Compliance .....                        | 247        |
|             | Drive Motor Overload Protection .....                | 250        |
| <b>E.</b>   | <b>QUICK REFERENCE SHEET</b> .....                   | <b>253</b> |
| <b>E.1</b>  | <b>Drive and Motor Specifications</b> .....          | <b>254</b> |
|             | Drive .....  | 254        |
|             | Motor .....  | 254        |
| <b>E.2</b>  | <b>Basic Parameter Settings</b> .....                | <b>255</b> |
|             | Basic Setup .....                                    | 255        |
|             | V/f Pattern Setup .....                              | 255        |
|             | Motor Setup.....                                     | 255        |
|             | Multi-Function Digital Outputs (MC Common).....      | 255        |
|             | Monitor Outputs (AC Common).....                     | 255        |
| <b>E.3</b>  | <b>User Setting Table</b> .....                      | <b>256</b> |
|             | <b>INDEX</b> .....                                   | <b>259</b> |



# Preface & General Safety

---

This section provides safety messages pertinent to this product that, if not heeded, may result in fatality, personal injury, or equipment damage. Yaskawa is not responsible for the consequences of ignoring these instructions.


|            |                            |           |
|------------|----------------------------|-----------|
| <b>i.1</b> | <b>PREFACE.....</b>        | <b>10</b> |
| <b>i.2</b> | <b>GENERAL SAFETY.....</b> | <b>11</b> |

## i.1 Preface

Yaskawa manufactures products used as components in a wide variety of industrial systems and equipment. The selection and application of Yaskawa products remain the responsibility of the equipment manufacturer or end user. Yaskawa accepts no responsibility for the way its products are incorporated into the final system design. Under no circumstances should any Yaskawa product be incorporated into any product or design as the exclusive or sole safety control. Without exception, all controls should be designed to detect faults dynamically and fail safely under all circumstances. All systems or equipment designed to incorporate a product manufactured by Yaskawa must be supplied to the end user with appropriate warnings and instructions as to the safe use and operation of that part. Any warnings provided by Yaskawa must be promptly provided to the end user. Yaskawa offers an express warranty only as to the quality of its products in conforming to standards and specifications published in the Yaskawa manual. **NO OTHER WARRANTY, EXPRESS OR IMPLIED, IS OFFERED.** Yaskawa assumes no liability for any personal injury, property damage, losses, or claims arising from misapplication of its products.

### ◆ Applicable Documentation

The following manuals are available for J1000 series drives:

|   |   |
|---|---|
|  | J1000 Series Compact V/f Control Drive Quick Start Guide  |
|   | Read this manual first. This guide is packaged together with the product. It contains basic information required to install and wire the drive. This guide provides basic programming and simple setup and adjustment. Refer to the J1000 Technical Manual for complete descriptions of drive features and functions. |
|   | J1000 Series Compact V/f Control Drive Technical Manual   |
|   | This manual describes installation, wiring, operation procedures, functions, troubleshooting, maintenance, and inspections to perform before operation.   |

### ◆ Symbols

**Note:** Indicates a supplement or precaution that does not cause drive damage.



Indicates a term or definition used in this manual.

### ◆ Terms and Abbreviations

- **Drive:** Yaskawa J1000 Series Drive
- **r/min:** Revolutions per Minute
- **SI-485/J:** RS-422/RS-485 Interface for MEMOBUS/Modbus Communication
- **V/f:** V/f Control

## i.2 General Safety

### ◆ Supplemental Safety Information

#### General Precautions

- The diagrams in this manual may be indicated without covers or safety shields to show details. Restore covers or shields before operating the drive and run the drive according to the instructions described in this manual.
- Any illustrations, photographs, or examples used in this manual are provided as examples only and may not apply to all products to which this manual is applicable.
- The products and specifications described in this manual or the content and presentation of the manual may be changed without notice to improve the product and/or the manual.
- When ordering a new copy of the manual due to damage or loss, contact your Yaskawa representative or the nearest Yaskawa sales office and provide the manual number shown on the front cover.
- If nameplate becomes worn or damaged, order a replacement from your Yaskawa representative or the nearest Yaskawa sales office.

#### WARNING

Read and understand this manual before installing, operating or servicing this drive. The drive must be installed according to this manual and local codes.

The following conventions are used to indicate safety messages in this manual. Failure to heed these messages could result in serious or possibly even fatal injury or damage to the products or to related equipment and systems.

#### DANGER

**Indicates a hazardous situation, which, if not avoided, will result in death or serious injury.**

#### WARNING

**Indicates a hazardous situation, which, if not avoided, could result in death or serious injury.**

**WARNING!** *will also be indicated by a bold key word embedded in the text followed by an italicized safety message.*

#### CAUTION

**Indicates a hazardous situation, which, if not avoided, could result in minor or moderate injury.**

**CAUTION!** *will also be indicated by a bold key word embedded in the text followed by an italicized safety message.*

#### NOTICE

**Indicates a property damage message.**

**NOTICE:** *will also be indicated by a bold key word embedded in the text followed by an italicized safety message.*

### ◆ Safety Messages

#### DANGER

**Heed the safety messages in this manual.**

Failure to comply will result in death or serious injury.

The operating company is responsible for any injuries or equipment damage resulting from failure to heed the warnings in this manual.

### DANGER

#### Electrical Shock Hazard

**Do not connect or disconnect wiring while the power is on.**

Failure to comply will result in death or serious injury.

Before servicing, disconnect all power to the equipment. The internal capacitor remains charged even after the power supply is turned off. The charge indicator LED will extinguish when the DC bus voltage is below 50 Vdc. To prevent electric shock, wait at least one minute after all indicators are OFF and measure the DC bus voltage level to confirm safe level.

### WARNING

#### Sudden Movement Hazard

**System may start unexpectedly upon application of power, resulting in death or serious injury.**

Clear all personnel from the drive, motor and machine area before applying power. Secure covers, couplings, shaft keys and machine loads before applying power to the drive.

#### Electrical Shock Hazard

**Do not attempt to modify or alter the drive in any way not explained in this manual.**

Failure to comply could result in death or serious injury.

Yaskawa is not responsible for any modification of the product made by the user. This product must not be modified.

**Do not allow unqualified personnel to use equipment.**

Failure to comply could result in death or serious injury.

Maintenance, inspection, and replacement of parts must be performed only by authorized personnel familiar with installation, adjustment and maintenance of AC drives.

**Do not remove covers or touch circuit boards while the power is on.**

Failure to comply could result in death or serious injury.

#### Fire Hazard

**Do not use an improper voltage source.**

Failure to comply could result in death or serious injury by fire.

Verify that the rated voltage of the drive matches the voltage of the incoming power supply before applying power.

#### Crush Hazard

**Do not use this drive in lifting applications without installing external safety circuitry to prevent accidental dropping of the load.**

**The drive does not possess built-in load drop protection for lifting applications.**

Failure to comply could result in death or serious injury from falling loads.

Install electrical and/or mechanical safety circuit mechanisms independent of drive circuitry.

### CAUTION

#### Crush Hazard

**Do not carry the drive by the front cover.**

Failure to comply may result in minor or moderate injury from the main body of the drive falling.

## NOTICE

**Observe proper electrostatic discharge procedures (ESD) when handling the drive and circuit boards.**

Failure to comply may result in ESD damage to the drive circuitry.

**Never connect or disconnect the motor from the drive while the drive is outputting voltage.**

Improper equipment sequencing could result in damage to the drive.

**Do not perform a withstand voltage test on any part of the drive.**

Failure to comply could result in damage to the sensitive devices within the drive.

**Do not operate damaged equipment.**

Failure to comply could result in further damage to the equipment.

Do not connect or operate any equipment with visible damage or missing parts.

**Install adequate branch circuit short circuit protection per applicable codes.**

Failure to comply could result in damage to the drive.

The drive is suitable for circuits capable of delivering not more than 31,000 RMS symmetrical Amperes, 240 Vac maximum (200 V Class) and 480 Vac maximum (400 V Class).

**Do not expose the drive to halogen group disinfectants.**

Failure to comply may cause damage to the electrical components in the drive.

Do not pack the drive in wooden materials that have been fumigated or sterilized.

Do not sterilize the entire package after the product is packed.

## ◆ Drive Label Warnings

Always heed the warning information listed in [Figure i.1](#) in the position shown in [Figure i.2](#).

 **WARNING** Risk of electric shock.




-  Read manual before installing.
-  Wait 1 minute for capacitor discharge after disconnecting power supply.
-  To conform to **CE** requirements, make sure to ground the supply neutral for 400V class.

Figure i.1 Warning Information

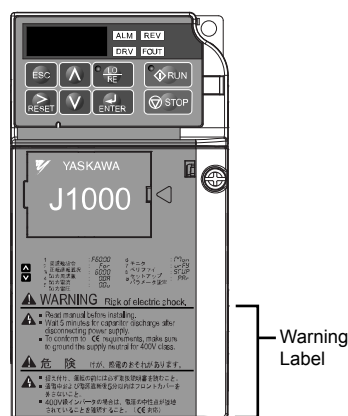


Figure i.2 Warning Information Position

### ◆ Warranty Information

#### ■ Restrictions

The drive was not designed or manufactured for use in devices or systems that may directly affect or threaten human lives or health.

Customers who intend to use the product described in this manual for devices or systems relating to transportation, health care, space aviation, atomic power, electric power, or in underwater applications must first contact their Yaskawa representatives or the nearest Yaskawa sales office.

This product has been manufactured under strict quality-control guidelines. However, if this product is to be installed in any location where failure of this product could involve or result in a life-and-death situation or loss of human life or in a facility where failure may cause a serious accident or physical injury, safety devices must be installed to minimize the likelihood of any accident.

### ◆ Quick Reference

#### Run a Motor of One-Frame Larger Capacity

When using this drive for variable torque loads such as fans and pumps, a motor one frame size larger can be used.

#### Know the Details of Safety Measures

The functions listed below affect the safe operation of the drive. Ensure that the settings fit the application requirements prior to operation.

**Safe operations.** Run by power on. Parameter setting b1-17.

**LED operator stop key priority selection.** Parameter o2-02.

**Enter press required after changing the keypad frequency reference.** Parameter o2-05.

**Operation interlock when program mode is selected.** Parameter b1-08.

#### Standards Compliance

*Refer to European Standards on page 240 and Refer to UL Standards on page 247.*



## Receiving

---

This chapter describes the proper inspections to perform after receiving the drive and illustrates the different enclosure types and components.

|            |  |           |
|------------|--|-----------|
| <b>1.1</b> | <b>SECTION SAFETY.....</b>                   | <b>16</b> |
| <b>1.2</b> | <b>MODEL NUMBER AND NAMEPLATE CHECK.....</b> | <b>17</b> |
| <b>1.3</b> | <b>COMPONENT NAMES.....</b>                  | <b>19</b> |

## 1.1 Section Safety

### CAUTION

**Do not carry the drive by the front cover.**

Failure to comply may cause the main body of the drive to fall, resulting in minor or moderate injury.

### NOTICE

**Observe proper electrostatic discharge procedures (ESD) when handling the drive and circuit boards.**

Failure to comply may result in ESD damage to the drive circuitry.

**A motor connected to a PWM drive may operate at a higher temperature than a utility-fed motor and the operating speed range may reduce motor cooling capacity.**

Ensure that the motor is suitable for drive duty and/or the motor service factor is adequate to accommodate the additional heating with the intended operating conditions.

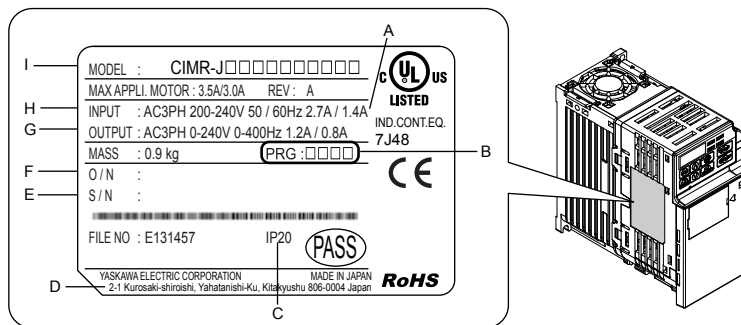


# 1.2 Model Number and Nameplate Check

Please perform the following tasks after receiving the drive:

- Inspect the drive for damage.  
If the drive appears damaged upon receipt, contact the shipper immediately.
- Verify receipt of the correct model by checking the information on the nameplate.
- If you have received the wrong model or the drive does not function properly, contact your supplier.

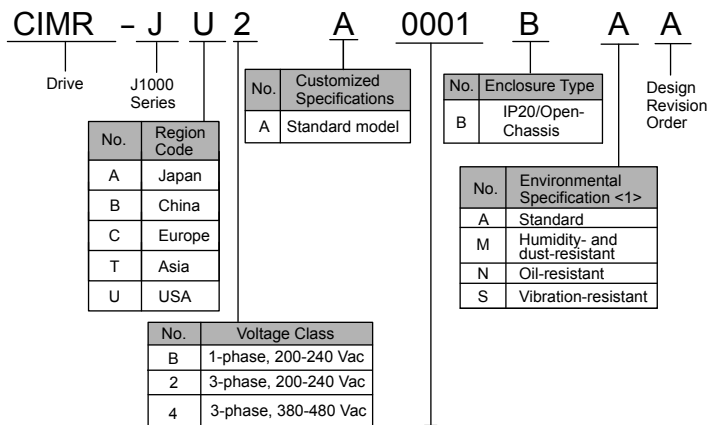
## ◆ Nameplate



- A – Normal Duty Amps / Heavy Duty Amps**
- B – Software version**
- C – Enclosure type**
- D – Address <1>**
- E – Serial number**
- F – Lot number**
- G – Output specifications**
- H – Input specifications**
- I – AC drive model**

Figure 1.1 Nameplate Information Example

<1> The address of the head office of Yaskawa Electric Corporation (responsible for product liability) is shown on the nameplate.



Refer to the tables below.

## ■ Single-Phase 200 V

| Normal Duty |                        |                        | Heavy Duty |                        |                        |
|-------------|------------------------|------------------------|------------|------------------------|------------------------|
| No.         | Max. Motor Capacity kW | Rated Output Current A | No.        | Max. Motor Capacity kW | Rated Output Current A |
| 0001        | 0.2                    | 1.2                    | 0001       | 0.1                    | 0.8                    |
| 0002        | 0.4                    | 1.9                    | 0002       | 0.2                    | 1.6                    |
| 0003        | 0.75                   | 3.3                    | 0003       | 0.4                    | 3.0                    |
| 0006        | 1.1                    | 6.0                    | 0006       | 0.75                   | 5.0                    |
| 0010        | 2.2                    | 9.6                    | 0010       | 1.5                    | 8.0                    |

## 1.2 Model Number and Nameplate Check

### ■ Three-Phase 200 V

| Normal Duty |                       |                        | Heavy Duty |                       |                        |
|-------------|-----------------------|------------------------|------------|-----------------------|------------------------|
| No.         | Max Motor Capacity kW | Rated Output Current A | No.        | Max Motor Capacity kW | Rated Output Current A |
| 0001        | 0.2                   | 1.2                    | 0001       | 0.1                   | 0.8                    |
| 0002        | 0.4                   | 1.9                    | 0002       | 0.2                   | 1.6                    |
| 0004        | 0.75                  | 3.5                    | 0004       | 0.4                   | 3.5                    |
| 0006        | 1.1                   | 6.0                    | 0006       | 0.75                  | 6.0                    |
| 0010        | 2.2                   | 9.6                    | 0010       | 1.5                   | 9.6                    |
| 0012        | 3.0                   | 12.0                   | 0012       | 2.2                   | 12.0                   |
| 0020        | 5.5                   | 19.6                   | 0020       | 3.7                   | 17.5                   |

### ■ Three-Phase 400 V

| Normal Duty |                        |                        | Heavy Duty |                        |                        |
|-------------|------------------------|------------------------|------------|------------------------|------------------------|
| No.         | Max. Motor Capacity kW | Rated Output Current A | No.        | Max. Motor Capacity kW | Rated Output Current A |
| 0001        | 0.4                    | 1.2                    | 0001       | 0.2                    | 1.2                    |
| 0002        | 0.75                   | 2.1                    | 0002       | 0.4                    | 1.8                    |
| 0004        | 1.5                    | 4.1                    | 0004       | 0.75                   | 3.4                    |
| 0005        | 2.2                    | 5.4                    | 0005       | 1.5                    | 4.8                    |
| 0007        | 3.0                    | 6.9                    | 0007       | 2.2                    | 5.5                    |
| 0009        | 3.7                    | 8.8                    | 0009       | 3.0                    | 7.2                    |
| 0011        | 5.5                    | 11.1                   | 0011       | 3.7                    | 9.2                    |

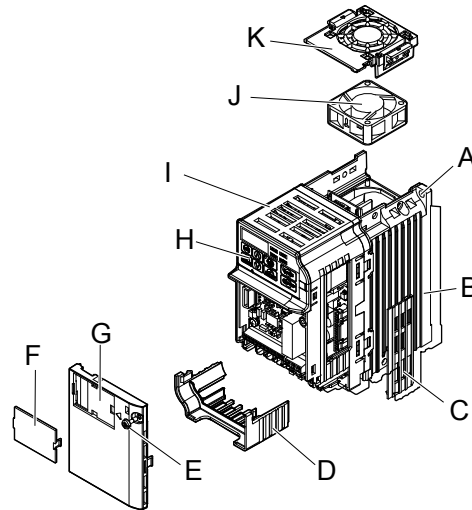
## 1.3 Component Names

This section illustrates drive components in the IP20/Open-Chassis models.

*Refer to NEMA Type 1 Kit on page 174* for information on using the NEMA Type 1 Kit option to create a NEMA Type 1 rating.

### ◆ IP20/Open-Chassis

- Single-Phase AC 200 V BA0001B to BA0003B
- Three-Phase AC 200 V 2A0001B to 2A0006B



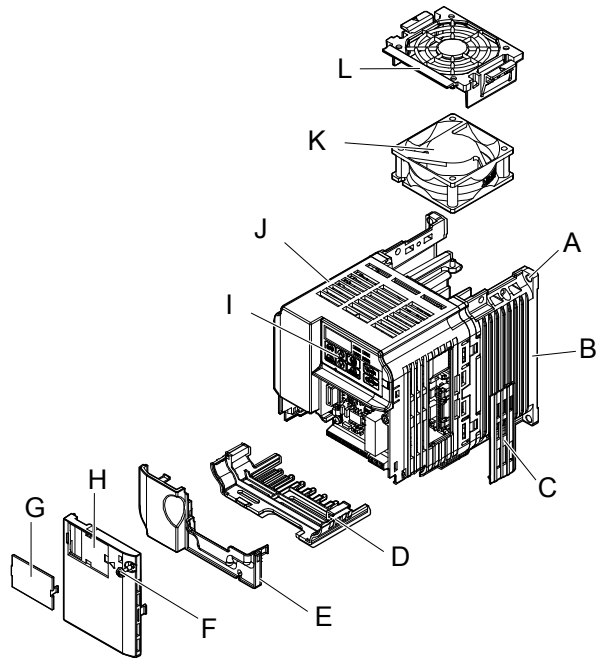
- |                            |  |
|----------------------------|--|
| A – Mounting hole          | G – Front cover  |
| B – Heatsink               | H – LED operator <i>Refer to Using the Digital LED Operator on page 58</i> |
| C – Cable cover            | I – Case   |
| D – Terminal cover         | J – Cooling fan <1>  |
| E – Front cover screw      | K – Fan cover <1>  |
| F – Option connector cover |  |

Figure 1.2 Exploded View of IP20/Open-Chassis Type Components  
(Model 2A0006B)

<1> Models BA0001B to BA0003B and 2A0001B to 2A0004B do not have a cooling fan or a cooling fan cover.

## 1.3 Component Names

- Single-Phase AC 200 V BA0006B to BA0010B
- Three-Phase AC 200 V 2A0010B to 4A0020B
- Three-Phase AC 400 V 4A0001B to 4A0011B

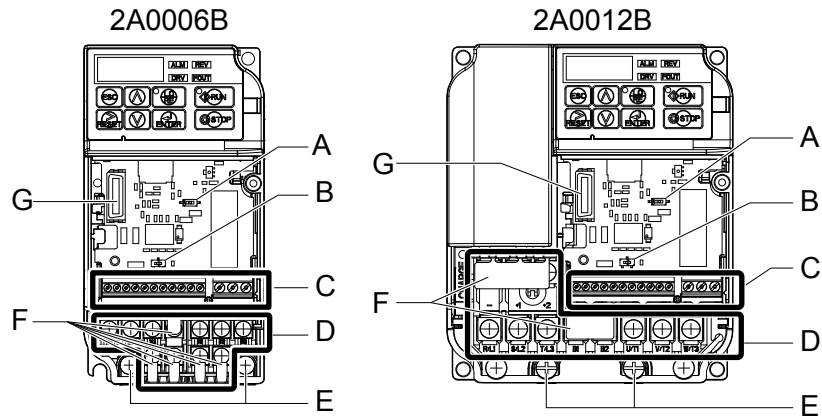


- |                       |  |
|-----------------------|--|
| A – Mounting hole     | G – Option connector cover   |
| B – Heatsink          | H – Front cover  |
| C – Cable cover       | I – LED operator <i>Refer to Using the Digital LED Operator on page 58</i> |
| D – Terminal cover    | J – Case   |
| E – Bottom cover      | K – Cooling fan <1>  |
| F – Front cover screw | L – Fan cover <1>  |

Figure 1.3 Exploded view of IP20/Open-Chassis Type Components  
(Model 2A0012B)

<1> Models BA0006B and 4A0001B to 4A0004B do not have a cooling fan or a cooling fan cover.

## ◆ Front Views



**A** – DIP switch S1 *Refer to DIP Switch S1 Analog Input Signal Selection on page 50*

**B** – DIP switch S3 *Refer to Sinking/Sourcing Mode Switch on page 48*

**C** – Control circuit terminal *Refer to Control Circuit Wiring on page 44*

**D** – Main circuit terminal *Refer to Wiring the Main Circuit Terminal on page 43*

**E** – Ground terminal

**F** – Terminal cover

**G** – Option unit connector *Refer to Options on page 179*

Figure 1.4 Front Views of Drives

**This Page Intentionally Blank**

## Mechanical Installation

---

This chapter explains how to properly mount and install the drive.

|            |                                     |           |
|------------|-------------------------------------|-----------|
| <b>2.1</b> | <b>SECTION SAFETY.....</b>          | <b>24</b> |
| <b>2.2</b> | <b>MECHANICAL INSTALLATION.....</b> | <b>26</b> |

## 2.1 Section Safety

### WARNING

#### Fire Hazard

**Provide sufficient cooling with a fan or air conditioning unit when installing the drive inside an enclosed panel or cabinet.**

Failure to comply could result in overheating and fire.

The airflow over an IP20/Open-Chassis drive should be less than 50 °C, while an IP20/NEMA Type 1 drive using the NEMA Type 1 Kit option should have an airflow cooler than 40 °C.

### CAUTION

#### Crush Hazard

**Do not carry the drive by the front cover.**

Failure to comply may result in minor or moderate injury from the main body of the drive falling.

### NOTICE

**Observe proper electrostatic discharge (ESD) procedures when handling the drive.**

Failure to comply could result in ESD damage to the drive circuitry.

**It may be difficult to perform maintenance on the cooling fans of drives installed in a vertical row inside an enclosure.**

Ensure adequate spacing at the top of the drive to perform cooling fan replacement when required.

**Operating the motor in the low-speed range diminishes the cooling effects, increases motor temperature, and may lead to motor damage by overheating.**

Reduce the motor torque in the low-speed range whenever using a standard blower cooled motor. If 100% torque is required continuously at low speed, consider using a special drive or vector motor. Select a motor that is compatible with the required load torque and operating speed range.

**Do not operate motors above the maximum rated RPM.**

Failure to comply may lead to bearing or other mechanical motor failures.

**The speed range for continuous operation differs according to the lubrication method and motor manufacturer.**

If the motor is to be operated at a speed higher than the rated speed, consult with the manufacturer.

Continuously operating an oil-lubricated motor in the low-speed range may result in burning.



**NOTICE**

**When the wiring distance is greater than 100 meters, pay special attention to the motor insulation voltage or use a drive-rated motor.**

Failure to comply could lead to motor winding failure.

**Motor vibration may increase when operating a machine in variable-speed mode, if that machine previously operated at a constant speed.**

Install vibration-proof rubber on the motor base or use the frequency jump function to skip a frequency resonating the machine.

**The motor may require more acceleration torque with drive operation than with a commercial power supply.**

Set a proper V/f pattern by checking the load torque characteristics of the machine to be used with the motor.

**The rated input current of submersible motors is higher than the rated input current of standard motors.**

Select an appropriate drive according to its rated output current. When the distance between the motor and drive is long, use a cable thick enough to connect the motor to the drive to prevent motor torque reduction.

**When using an explosion-proof motor, it must be subject to an explosion-proof test in conjunction with the drive.**

This is also applicable when an existing explosion-proof motor is to be operated with the drive. Since the drive itself is not explosion-proof, always install it in a safe place.

**Do not use a drive for a single-phase motor.**

Replace the motor with a three-phase motor.

**If an oil-lubricated gearbox or speed reducer is used in the power transmission mechanism, oil lubrication will be affected when the motor operates only in the low speed range.**

The power transmission mechanism will make noise and experience problems with service life and durability if the motor is operated at a speed higher than the rated speed.

## 2.2 Mechanical Installation

This section outlines specifications, procedures, and environment for proper mechanical installation of the drive.

### ◆ Installation Environment

To help prolong the optimum performance life of the drive, install the drive in the proper environment. The table below provides a description of the appropriate environment for the drive.

**Table 2.1 Installation Environment**

| Environment         | Conditions  |
|---------------------|---|
| Installation Area   | Indoors   |
| Ambient Temperature | IP20/NEMA Type 1 enclosure: -10 °C to +40 °C (14 °F to 104 °F)<br>IP20/IP00 Open-Chassis enclosure: -10 °C to +50 °C (14 °F to 122 °F)<br>Finless Type: IP20 enclosure: -10 °C to +50 °C (14 °F to 122 °F)<br>Drive reliability improves in environments without wide temperature fluctuations.<br>When using an enclosure panel, install a cooling fan or air conditioner in the area to ensure that the air temperature inside the enclosure does not exceed the specified levels.<br>Do not allow ice to develop on the drive. |
| Humidity            | 95% RH or less and free of condensation   |
| Storage Temperature | -20 °C to +60 °C (-4 °F to +104 °F)   |
| Surrounding Area    | Install the drive in an area free from: <ul style="list-style-type: none"> <li>• oil mist and dust</li> <li>• metal shavings, oil, water or other foreign materials</li> <li>• radioactive materials</li> <li>• combustible materials (e.g., wood)</li> <li>• harmful gases and liquids</li> <li>• excessive vibration</li> <li>• chlorides</li> <li>• direct sunlight</li> </ul>   |
| Altitude            | Up to 1000 meters without derating; up to 3000 meters with output current, ambient temperature, and voltage derating.<br><a href="#">Refer to Altitude Derating on page 188</a> for details.  |
| Vibration           | 10 to 20 Hz at 9.8 m/s <sup>2</sup><br>20 to 55 Hz at 5.9 m/s <sup>2</sup>  |
| Orientation         | Install the drive vertically to maintain maximum cooling effects.   |

**NOTICE:** Prevent foreign matter such as metal shavings or wire clippings from falling into the drive during installation and project construction. Failure to comply could result in damage to the drive. Place a temporary cover over the top of the drive during installation. Remove the temporary cover before startup, as the cover will reduce ventilation and cause the drive to overheat.

**NOTICE:** Avoid placing drive peripheral devices, transformers, or other electronics near the drive. Failure to comply could result in erroneous operation. If such devices must be used in close proximity to the drive, take proper steps to shield the drive from noise.

## ◆ Installation Orientation and Spacing

Install the drive upright as illustrated in [Figure 2.1](#) to maintain proper cooling.

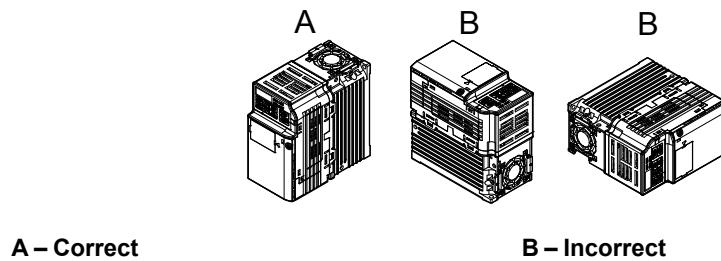


Figure 2.1 Correct Installation Orientation

## ■ Single Drive Installation

[Figure 2.2](#) explains the required installation spacing to maintain sufficient space for airflow and wiring. Install the heatsink against a closed surface to avoid diverting cooling air around the heatsink.

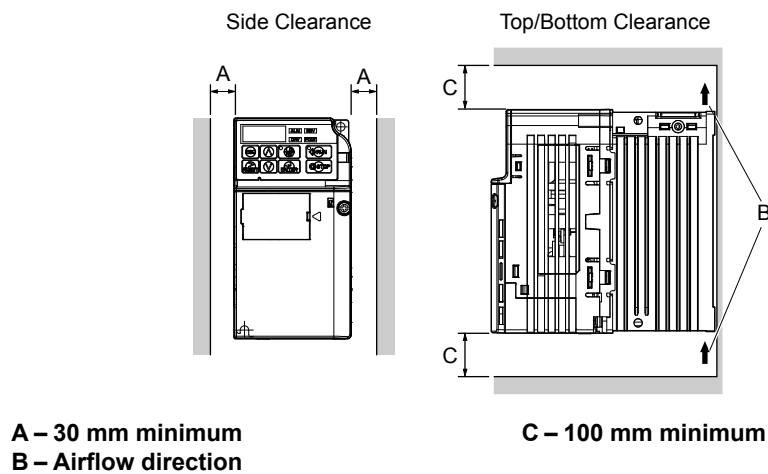


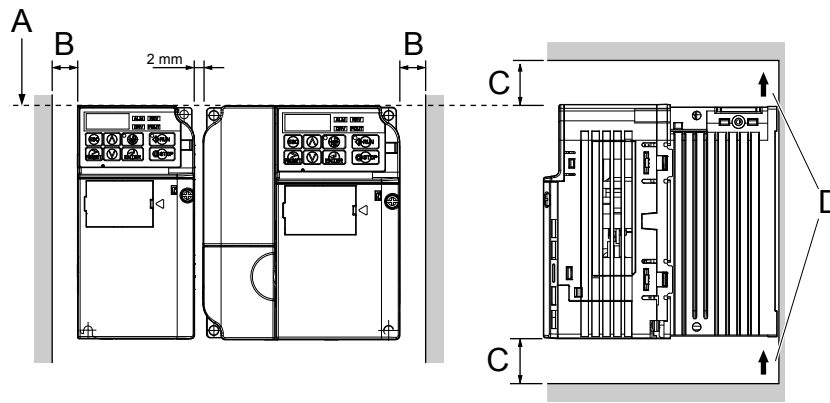
Figure 2.2 Correct Installation Spacing

**Note:** The space required on the left and right sides of the drive are the same for IP20/Open-Chassis drives and IP20/NEMA Type 1 drives using the NEMA Type 1 Kit option.

## ■ Multiple Drive Installation

When installing multiple drives into the same enclosure panel, mount the drives according to [Figure 2.2](#). When mounting drives with a minimum side-by-side clearance of 2 mm according to [Figure 2.3](#), derating must be considered and parameter L8-35 must be set. [Refer to Parameter List on page 189](#).

## 2.2 Mechanical Installation



A – Line up the tops of the drives.  
B – 30 mm minimum

C – 100 mm minimum  
D – Airflow direction

Figure 2.3 Space Between Drives (Side-by-Side Mounting)

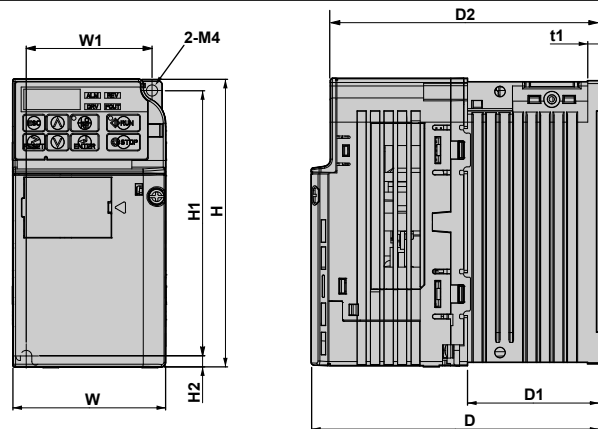
**Note:** When installing drives of different heights in the same enclosure panel, the tops of the drives should line up. Leave space between the top and bottom of stacked drives for cooling fan replacement if required. Using this method, it is possible to replace the cooling fans later.

### ◆ Exterior and Mounting Dimensions

Refer to [NEMA Type 1 Kit on page 174](#) for exterior and mounting dimensions for drives using the NEMA Type 1 Kit option.

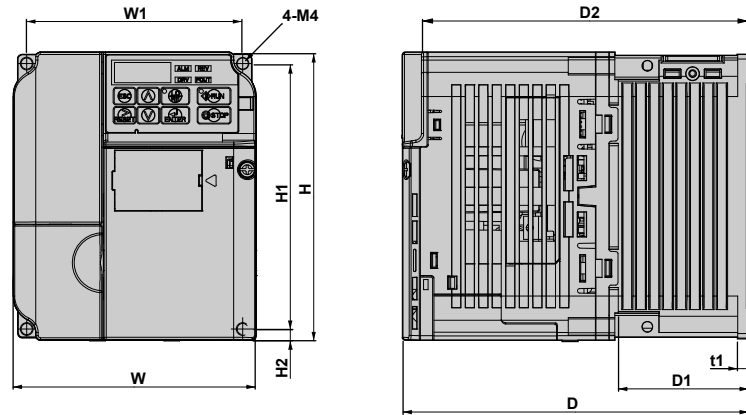
### ■ IP20/Open-Chassis Drives

Table 2.2 IP20/Open-Chassis (without an EMC filter)



| Voltage Class               | Drive Model | Dimensions mm (in) |              |              |             |              |            |               |                |            |              |
|-----------------------------|-------------|--------------------|--------------|--------------|-------------|--------------|------------|---------------|----------------|------------|--------------|
|                             |             | W                  | H            | D            | W1          | H1           | H2         | D1            | D2             | t1         | Wt. kg (lb.) |
| Single-Phase<br>200 V Class | BA0001B     | 68<br>(2.7)        | 128<br>(5.0) | 76<br>(3.0)  | 56<br>(2.2) | 118<br>(4.6) | 5<br>(0.2) | 6.5<br>(0.3)  | 67.5<br>(2.7)  | 3<br>(0.1) | 0.6<br>(1.3) |
|                             | BA0002B     | 68<br>(2.7)        | 128<br>(5.0) | 76<br>(3.0)  | 56<br>(2.2) | 118<br>(4.6) | 5<br>(0.2) | 6.5<br>(0.3)  | 67.5<br>(2.7)  | 3<br>(0.1) | 0.6<br>(1.3) |
|                             | BA0003B     | 68<br>(2.7)        | 128<br>(5.0) | 118<br>(4.6) | 56<br>(2.2) | 118<br>(4.6) | 5<br>(0.2) | 38.5<br>(1.5) | 109.5<br>(4.3) | 5<br>(0.2) | 1.0<br>(2.2) |
| Three-Phase<br>200 V Class  | 2A0001B     | 68<br>(2.7)        | 128<br>(5.0) | 76<br>(3.0)  | 56<br>(2.2) | 118<br>(4.6) | 5<br>(0.2) | 6.5<br>(0.3)  | 67.5<br>(2.7)  | 3<br>(0.1) | 0.6<br>(1.3) |
|                             | 2A0002B     | 68<br>(2.7)        | 128<br>(5.0) | 76<br>(3.0)  | 56<br>(2.2) | 118<br>(4.6) | 5<br>(0.2) | 6.5<br>(0.3)  | 67.5<br>(2.7)  | 3<br>(0.1) | 0.6<br>(1.3) |
|                             | 2A0004B     | 68<br>(2.7)        | 128<br>(5.0) | 108<br>(4.3) | 56<br>(2.2) | 118<br>(4.6) | 5<br>(0.2) | 38.5<br>(1.5) | 99.5<br>(3.9)  | 5<br>(0.2) | 0.9<br>(2.0) |
|                             | 2A0006B     | 68<br>(2.7)        | 128<br>(5.0) | 128<br>(5.0) | 56<br>(2.2) | 118<br>(4.6) | 5<br>(0.2) | 58.5<br>(2.3) | 119.5<br>(4.7) | 5<br>(0.2) | 1.1<br>(2.4) |

Table 2.3 IP20/Open-Chassis (without an EMC filter)



| Voltage Class               | Drive Model | Dimensions mm (in) |              |                |              |              |            |             |                |            |              |
|-----------------------------|-------------|--------------------|--------------|----------------|--------------|--------------|------------|-------------|----------------|------------|--------------|
|                             |             | W                  | H            | D              | W1           | H1           | H2         | D1          | D2             | t1         | Wt. kg (lb.) |
| Single-Phase<br>200 V Class | BA0006B     | 108<br>(4.3)       | 128<br>(5.0) | 137.5<br>(5.4) | 96<br>(3.8)  | 118<br>(4.6) | 5<br>(0.2) | 58<br>(2.3) | 129<br>(5.1)   | 5<br>(0.2) | 1.7<br>(3.8) |
|                             | BA0010B     | 108<br>(4.3)       | 128<br>(5.0) | 154<br>(6.1)   | 96<br>(3.8)  | 118<br>(4.6) | 5<br>(0.2) | 58<br>(2.3) | 145.5<br>(5.7) | 5<br>(0.2) | 1.8<br>(4.0) |
| Three-Phase<br>200 V Class  | 2A0010B     | 108<br>(4.3)       | 128<br>(5.0) | 129<br>(5.1)   | 96<br>(3.8)  | 118<br>(4.6) | 5<br>(0.2) | 58<br>(2.3) | 120.5<br>(4.7) | 5<br>(0.2) | 1.7<br>(3.8) |
|                             | 2A0012B     | 108<br>(4.3)       | 128<br>(5.0) | 137.5<br>(5.4) | 96<br>(3.8)  | 118<br>(4.6) | 5<br>(0.2) | 58<br>(2.3) | 129<br>(5.1)   | 5<br>(0.2) | 1.7<br>(3.8) |
|                             | 2A0020B     | 140<br>(5.5)       | 128<br>(5.0) | 143<br>(5.6)   | 128<br>(5.0) | 118<br>(4.6) | 5<br>(0.2) | 65<br>(2.6) | 134.5<br>(5.3) | 5<br>(0.2) | 2.4<br>(5.3) |
| Three-Phase<br>400 V Class  | 4A0001B     | 108<br>(4.3)       | 128<br>(5.0) | 81<br>(3.2)    | 96<br>(3.8)  | 118<br>(4.6) | 5<br>(0.2) | 10<br>(0.4) | 72.5<br>(2.9)  | 5<br>(0.2) | 1.0<br>(2.2) |
|                             | 4A0002B     | 108<br>(4.3)       | 128<br>(5.0) | 99<br>(3.9)    | 96<br>(3.8)  | 118<br>(4.6) | 5<br>(0.2) | 28<br>(1.1) | 90.5<br>(3.6)  | 5<br>(0.2) | 1.2<br>(2.7) |
|                             | 4A0004B     | 108<br>(4.3)       | 128<br>(5.0) | 137.5<br>(5.4) | 96<br>(3.8)  | 118<br>(4.6) | 5<br>(0.2) | 58<br>(2.3) | 129<br>(5.1)   | 5<br>(0.2) | 1.7<br>(3.8) |
|                             | 4A0005B     | 108<br>(4.3)       | 128<br>(5.0) | 154<br>(6.1)   | 96<br>(3.8)  | 118<br>(4.6) | 5<br>(0.2) | 58<br>(2.3) | 145.5<br>(5.7) | 5<br>(0.2) | 1.7<br>(3.8) |
|                             | 4A0007B     | 108<br>(4.3)       | 128<br>(5.0) | 154<br>(6.1)   | 96<br>(3.8)  | 118<br>(4.6) | 5<br>(0.2) | 58<br>(2.3) | 145.5<br>(5.7) | 5<br>(0.2) | 1.7<br>(3.8) |
|                             | 4A0009B     | 108<br>(4.3)       | 128<br>(5.0) | 154<br>(6.1)   | 96<br>(3.8)  | 118<br>(4.6) | 5<br>(0.2) | 58<br>(2.3) | 145.5<br>(5.7) | 5<br>(0.2) | 1.7<br>(3.8) |
|                             | 4A0011B     | 140<br>(5.5)       | 128<br>(5.0) | 143<br>(5.6)   | 128<br>(5.0) | 118<br>(4.6) | 5<br>(0.2) | 65<br>(2.6) | 134.5<br>(5.3) | 5<br>(0.2) | 2.4<br>(5.3) |

**This Page Intentionally Blank**

# Electrical Installation

---

This chapter explains proper procedures for wiring the control circuit terminals, motor and power supply.

|             |  |           |
|-------------|--|-----------|
| <b>3.1</b>  | <b>SECTION SAFETY</b> .....                        | <b>32</b> |
| <b>3.2</b>  | <b>STANDARD CONNECTION DIAGRAM</b> .....           | <b>34</b> |
| <b>3.3</b>  | <b>MAIN CIRCUIT CONNECTION DIAGRAM</b> .....       | <b>37</b> |
| <b>3.4</b>  | <b>TERMINAL BLOCK CONFIGURATION</b> .....          | <b>38</b> |
| <b>3.5</b>  | <b>PROTECTIVE COVERS</b> .....                     | <b>39</b> |
| <b>3.6</b>  | <b>MAIN CIRCUIT WIRING</b> .....                   | <b>40</b> |
| <b>3.7</b>  | <b>CONTROL CIRCUIT WIRING</b> .....                | <b>44</b> |
| <b>3.8</b>  | <b>I/O CONNECTIONS</b> .....                       | <b>48</b> |
| <b>3.9</b>  | <b>MAIN FREQUENCY REFERENCE</b> .....              | <b>50</b> |
| <b>3.10</b> | <b>BRAKING RESISTOR</b> .....                      | <b>51</b> |
| <b>3.11</b> | <b>INTERLOCKING WITH CONNECTED MACHINERY</b> ..... | <b>53</b> |
| <b>3.12</b> | <b>WIRING CHECKLIST</b> .....                      | <b>54</b> |

## 3.1 Section Safety

### DANGER

#### Electrical Shock Hazard

**Do not connect or disconnect wiring while the power is on.**

Failure to comply will result in death or serious injury.

### WARNING

#### Electrical Shock Hazard

**Do not operate equipment with covers removed.**

Failure to comply could result in death or serious injury.

The diagrams in this section may show drives without covers or safety shields to show details. Be sure to reinstall covers or shields before operating the drives and run the drives according to the instructions described in this manual.

**Always ground the motor-side grounding terminal.**

Improper equipment grounding could result in death or serious injury by contacting the motor case.

**Do not perform work on the drive while wearing loose clothing, jewelry or without eye protection.**

Failure to comply could result in death or serious injury.

Remove all metal objects such as watches and rings, secure loose clothing, and wear eye protection before beginning work on the drive.

**Do not remove covers or touch circuit boards while the power is on.**

Failure to comply could result in death or serious injury.

**Do not allow unqualified personnel to perform work on the drive.**

Failure to comply could result in death or serious injury.

Installation, maintenance, inspection, and servicing must be performed only by authorized personnel familiar with installation, adjustment, and maintenance of AC drives.

**Do not touch any terminals before the capacitors have fully discharged.**

Failure to comply could result in death or serious injury.

Before wiring terminals, disconnect all power to the equipment. The internal capacitor remains charged even after the power supply is turned off. The charge indicator LED will extinguish when the DC bus voltage is below 50 Vdc. To prevent electric shock, wait at least one minute after all indicators are off and measure the DC bus voltage level to confirm safe level.

#### Fire Hazard

**Tighten all terminal screws to the specified tightening torque.**

Loose electrical connections could result in death or serious injury by fire due to overheating of electrical connections.

**Do not use improper combustible materials.**

Failure to comply could result in death or serious injury by fire.

Attach the drive to metal or other noncombustible material.

**Do not use an improper voltage source.**

Failure to comply could result in death or serious injury by fire.

Verify that the rated voltage of the drive matches the voltage of the incoming power supply before applying power.



**NOTICE**

**Observe proper electrostatic discharge procedures (ESD) when handling the drive and circuit boards.**

Failure to comply may result in ESD damage to the drive circuitry.

**Never connect or disconnect the motor from the drive while the drive is outputting voltage.**

Improper equipment sequencing could result in damage to the drive.

**Do not use unshielded cable for control wiring.**

Failure to comply may cause electrical interference resulting in poor system performance. Use shielded, twisted-pair wires and ground the shield to the ground terminal of the drive.

**Check all the wiring to ensure that all connections are correct after installing the drive and connecting any other devices.**

Failure to comply could result in damage to the drive.

**Do not modify the drive circuitry.**

Failure to comply could result in damage to the drive and will void warranty.

Yaskawa is not responsible for any modification of the product made by the user. This product must not be modified.

**Route motor leads U/T1, V/T2, and W/T3 separate from other leads to reduce possible interference-related issues.**

Failure to comply may result in abnormal operation of drive and nearby equipment.

### 3.2 Standard Connection Diagram

Connect the drive and peripheral devices as shown in [Figure 3.1](#). It is possible to run the drive via the digital operator without connecting digital I/O wiring. This section does not discuss drive operation; [Refer to Start-Up Programming & Operation on page 55](#) for instructions on operating the drive.

**NOTICE:** *Inadequate branch short circuit protection could result in damage to the drive. Install adequate branch circuit short circuit protection per applicable codes. The drive is suitable for circuits capable of delivering not more than 31,000 RMS symmetrical amperes, 240 Vac maximum (200 V Class) and 480 Vac maximum (400 V Class).*

**NOTICE:** *When the wiring distance is greater than 100 meters, pay special attention to the motor insulation voltage or use a drive duty motor. Failure to comply could lead to motor insulation breakdown.*

**NOTICE:** *Correctly set Sink/Source jumper S3 for internal power supply. Failure to comply may result in damage to the drive. [Refer to I/O Connections on page 48](#) for details.*

**NOTICE:** *Do not connect AC control circuit ground to drive enclosure. Improper drive grounding can cause control circuit malfunction.*

**NOTICE:** *Route motor leads U/T1, V/T2, and W/T3 separate from all other leads to reduce possible interference related issues. Failure to comply may result in abnormal operation of drive and nearby equipment.*

**NOTICE:** *The minimum load for the multi-function relay output MA-MB-MC is 10 mA.*

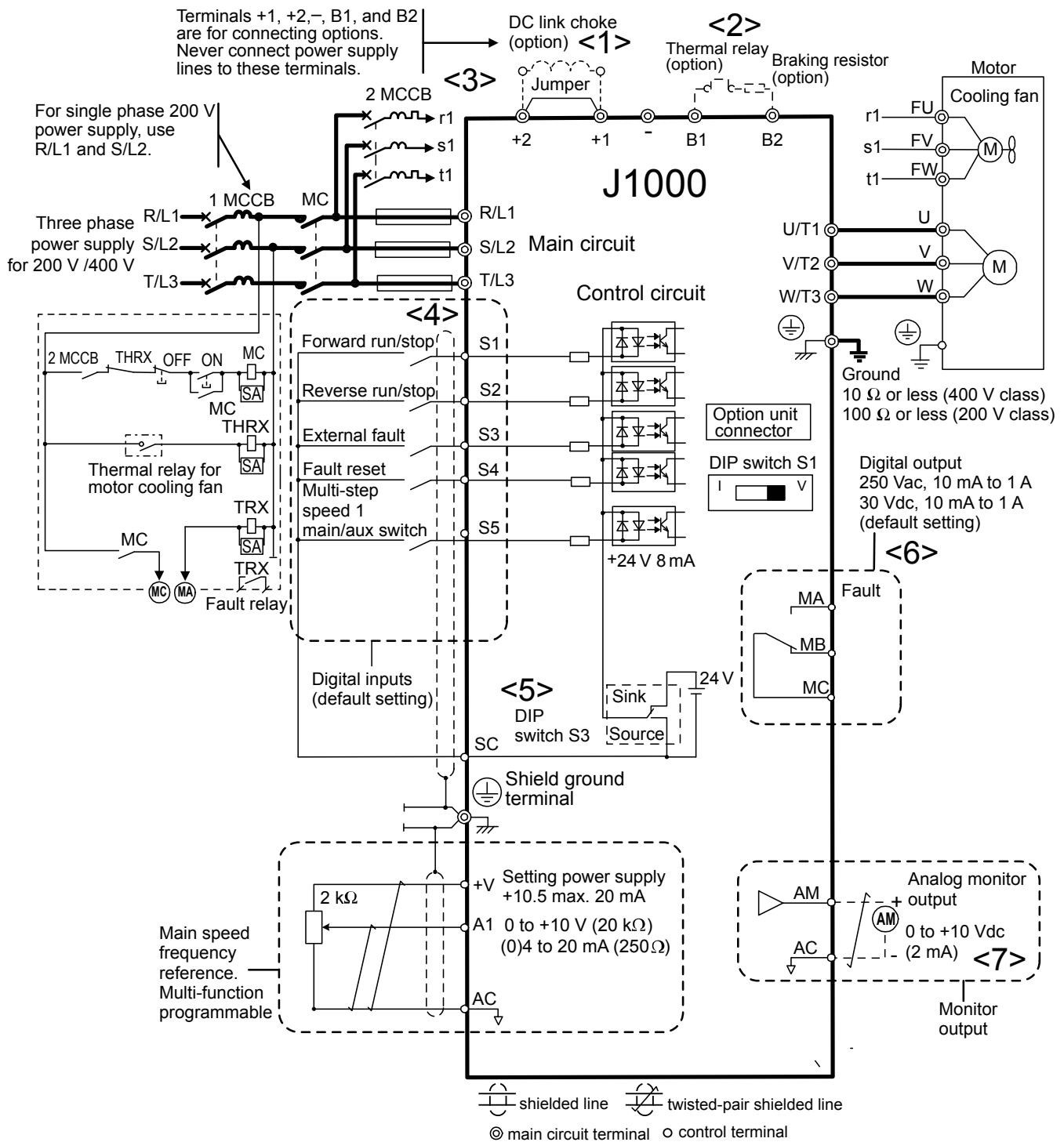


Figure 3.1 Drive Standard Connection Diagram (200 V Class Example)

- <1> Remove the jumper when installing an optional DC link choke.
- <2> The MC on the input side of the main circuit should open when the thermal relay is triggered.
- <3> Self-cooled motors do not require separate cooling fan motor wiring.
- <4> Connected using sequence input signal (S1 to S5) from NPN transistor; Default: sink mode (0 V com).
- <5> Use only a +24 V internal power supply in sinking mode; the source mode requires an external power supply. *Refer to I/O Connections on page 48.*
- <6> Minimum load: 5 Vdc, 10 mA (reference value).

## 3.2 Standard Connection Diagram

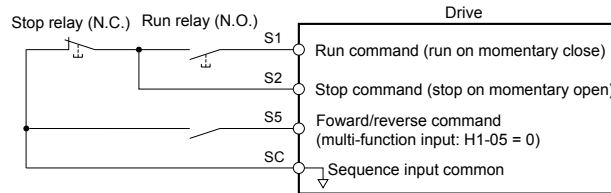
<7> Monitor outputs work with devices such as analog frequency meters, ammeters, voltmeters and wattmeters; they are not intended for use as a feedback-type of signal.

**WARNING!** *Sudden Movement Hazard. Do not close the wiring for the control circuit unless the multifunction input terminal parameter is properly set (S5 for 3-Wire; H1-05 = "0"). Improper sequencing of run/stop circuitry could result in death or serious injury from moving equipment.*

**WARNING!** *Sudden Movement Hazard. Ensure start/stop and safety circuits are wired properly and in the correct state before energizing the drive. Failure to comply could result in death or serious injury from moving equipment. When programmed for 3-Wire control, a momentary closure on terminal S1 may cause the drive to start.*

**WARNING!** *When 3-Wire sequence is used, set the drive to 3-Wire sequence before wiring the control terminals and ensure parameter b1-17 is set to 0 (drive does not accept a run command at power up (default)). If the drive is wired for 3-Wire sequence but set up for 2-Wire sequence (default) and if parameter b1-17 is set to 1 (drive accepts a Run command at power up), the motor will rotate in reverse direction at power up of the drive and may cause injury.*

**Figure 3.2** illustrates an example of a 3-Wire sequence.



**Figure 3.2 3-Wire Sequence**

### 3.3 Main Circuit Connection Diagram

Refer to diagrams in this section for the Main Circuit wiring connections. Connections may vary based on drive capacity. The main circuit DC power supply powers the control circuit.

**NOTICE:** Do not use the negative DC bus terminal “-” as a ground terminal. This terminal is at high voltage DC potential. Improper wiring connections could result in damage to the drive.

#### ◆ Single-Phase 200 V Class Models BA0001 to BA0010

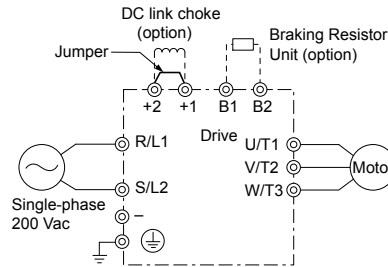


Figure 3.3 Connecting Single-Phase Main Circuit Terminals

**NOTICE:** Do not connect T/L3 terminal when using single-phase power supply input. Incorrect wiring may damage the drive.

#### ◆ Three-Phase 200 V Class Models 2A0001 to 2A0020 Three-Phase 400 V Class Models 4A0001 to 4A0011

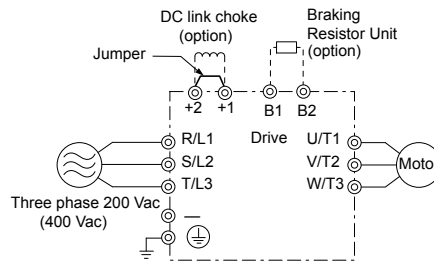


Figure 3.4 Connecting Three-Phase Main Circuit Terminals

## 3.4 Terminal Block Configuration

The figures in this section provide illustrations of the main circuit terminal block configurations of the different drive sizes.

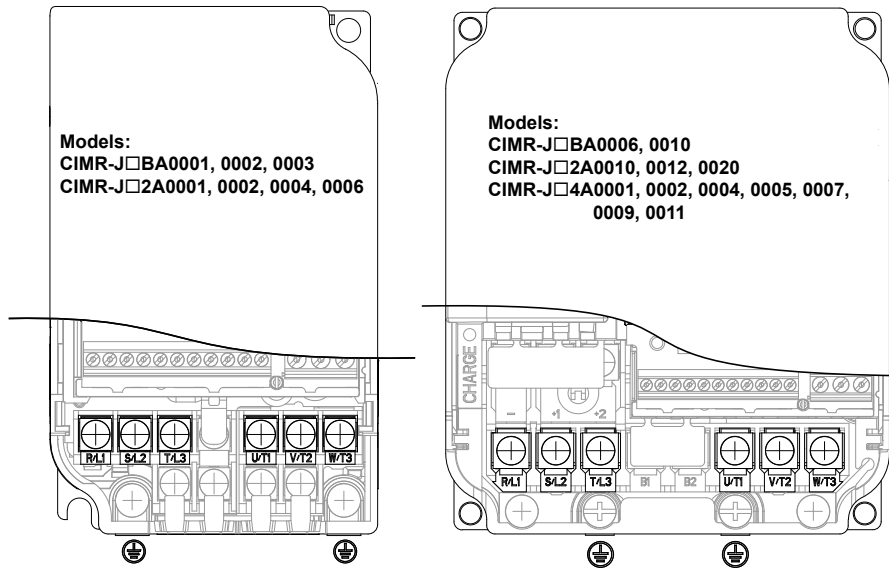


Figure 3.5 Main Circuit Terminal Block Configurations

## 3.5 Protective Covers

Follow the procedure below to remove the protective covers before wiring the drive and to reattach the covers after wiring is complete.

### ◆ IP20/Open-Chassis Cover Removal and Installation

#### ■ Removing the Protective Covers

1. Loosen the screw that locks the front cover in place to remove.

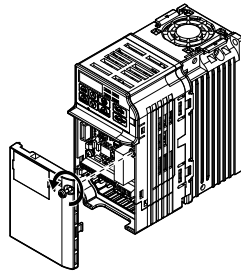


Figure 3.6 Remove the Front Cover on an IP20/Open-Chassis Drive

2. Apply pressure to the tabs on each side of the terminal cover. Pull the terminal cover away from the drive while pushing in on the tabs to pull the cover free.

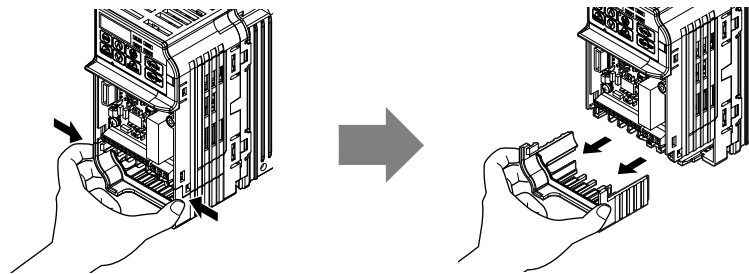


Figure 3.7 Remove the Terminal Cover on an IP20/Open-Chassis Drive

#### ■ Reattaching the Protective Covers

Properly connect all wiring and route power wiring away from control signal wiring. Reattach all protective covers when wiring is complete. Apply only a small amount of pressure to lock the cover back into place.

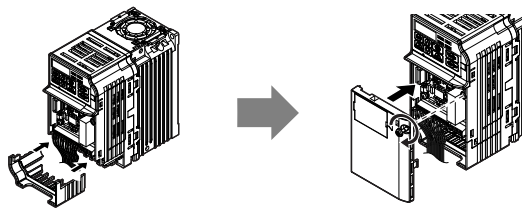


Figure 3.8 Reattach the Protective Covers on an IP20/Open-Chassis Drive

## 3.6 Main Circuit Wiring

This section describes the functions, specifications, and procedures required to safely and properly wire the main circuit of the drive.

**NOTICE:** Do not solder the ends of wire connections to the drive. Soldered wiring connections can loosen over time. Improper wiring practices could result in drive malfunction due to loose terminal connections.

### ◆ Main Circuit Terminal Functions

Table 3.1 Main Circuit Terminal Functions

| Terminal           | Type                            | Function   | Reference |
|--------------------|---------------------------------|--|-----------|
| R/L1               | Main circuit power supply input | Connects line power to the drive. Drives with single-phase 200 V input power use terminals R/L1 and S/L2 only. Do NOT use T/L3.      | 37        |
| S/L2               |                                 |  |           |
| T/L3               |                                 |  |           |
| U/T1               | Drive output                    | Connects to the motor.   | 42        |
| V/T2               |                                 |  |           |
| W/T3               |                                 |  |           |
| B1                 | Braking resistor                | Available for connecting a braking resistor or the braking resistor unit option.   | 51        |
| B2                 |                                 |  |           |
| ⊕1                 | DC link choke connection        | These terminals are shorted at shipment. Remove the shorting bar between ⊕1 and ⊕2 when connecting a DC link choke to this terminal. | 170       |
| ⊕2                 |                                 |  |           |
| ⊕1                 | DC power supply input           | For connecting a DC power supply.  | -         |
| ⊖                  |                                 |  |           |
| ⊕<br>(2 terminals) | Ground                          | Grounding Terminal   | 42        |

### ◆ Wire Gauges and Tightening Torques

Select the appropriate wires and crimp terminals from [Table 3.2](#) through [Table 3.4](#).

- Note:**
- Wire gauge recommendations based on drive continuous current ratings using 75 °C 600 Vac vinyl-sheathed wire assuming ambient temperature within 30 °C and wiring distance shorter than 100 m.
  - Terminals ⊕1, ⊕2, ⊖, B1 and B2 are for connecting optional devices such as a braking resistor. Do not connect other non-specified devices to these terminals.

- Consider the amount of voltage drop when selecting wire gauges. Increase the wire gauge when the voltage drop is greater than 2% of motor rated voltage. Ensure the wire gauge is suitable for the terminal block. Use the following formula to calculate the amount of voltage drop:
- Line drop voltage (V) =  $\sqrt{3}$  x wire resistance (Ω/km) x wire length (m) x current (A) x 10<sup>-3</sup>
- Refer to instruction manual TOBP C720600 00 for braking unit or braking resistor unit wire gauges.
- [Refer to UL Standards Compliance on page 247](#) for information on UL compliance.

#### ■ Single-Phase 200 V Class

Table 3.2 Wire Gauge and Torque Specifications

| Drive Model                | Terminal         | Recomm. Gauge AWG, kcmil | Wire Range AWG, kcmil | Screw Size | Tightening Torque N·m (lb.in.) |
|----------------------------|------------------|--------------------------|-----------------------|------------|--------------------------------|
| BA0001<br>BA0002<br>BA0003 | R/L1, S/L2, T/L3 | 14                       | 18 to 14              | M3.5       | 0.8 to 1.0<br>(7.1 to 8.9)     |
|                            | U/T1, V/T2, W/T3 | 14                       | 18 to 14              |            |                                |
|                            | ⊖, ⊕1, ⊕2        | -                        | 18 to 14              |            |                                |
|                            | B1, B2           | -                        | 18 to 14              |            |                                |
|                            | ⊕                | 14                       | 18 to 14              |            |                                |
| BA0006                     | R/L1, S/L2, T/L3 | 12                       | 14 to 10              | M4         | 1.2 to 1.5<br>(10.6 to 13.3)   |
|                            | U/T1, V/T2, W/T3 | 14                       | 14 to 10              |            |                                |
|                            | ⊖, ⊕1, ⊕2        | -                        | 14 to 10              |            |                                |
|                            | B1, B2           | -                        | 14 to 10              |            |                                |
|                            | ⊕                | 10                       | 14 to 10              |            |                                |



| Drive Model | Terminal         | Recomm. Gauge AWG, kcmil | Wire Range AWG, kcmil | Screw Size | Tightening Torque N•m (lb.in.) |
|-------------|------------------|--------------------------|-----------------------|------------|--------------------------------|
| BA0010      | R/L1, S/L2, T/L3 | 10                       | 14 to 10              | M4         | 1.2 to 1.5<br>(10.6 to 13.3)   |
|             | U/T1, V/T2, W/T3 | 14                       | 14 to 10              |            |                                |
|             | ⊖, ⊕1, ⊕2        | –                        | 14 to 10              |            |                                |
|             | B1, B2           | –                        | 14 to 10              |            |                                |
|             | ⊕                | 10                       | 14 to 10              |            |                                |

■ Three-Phase 200 V Class

Table 3.3 Wire Gauge and Torque Specifications

| Drive Model                          | Terminal         | Recomm. Gauge AWG, kcmil | Wire Range AWG, kcmil | Screw Size | Tightening Torque N•m (lb.in.) |
|--------------------------------------|------------------|--------------------------|-----------------------|------------|--------------------------------|
| 2A0001<br>2A0002<br>2A0004<br>2A0006 | R/L1, S/L2, T/L3 | 14                       | 18 to 14              | M3.5       | 0.8 to 1.0<br>(7.1 to 8.9)     |
|                                      | U/T1, V/T2, W/T3 | 14                       | 18 to 14              |            |                                |
|                                      | ⊖, ⊕1, ⊕2        | –                        | 18 to 14              |            |                                |
|                                      | B1, B2           | –                        | 18 to 14              |            |                                |
|                                      | ⊕                | 14                       | 18 to 14              |            |                                |
| 2A0010                               | R/L1, S/L2, T/L3 | 14                       | 14 to 10              | M4         | 1.2 to 1.5<br>(10.6 to 13.3)   |
|                                      | U/T1, V/T2, W/T3 | 14                       | 14 to 10              |            |                                |
|                                      | ⊖, ⊕1, ⊕2        | –                        | 14 to 10              |            |                                |
|                                      | B1, B2           | –                        | 14 to 10              |            |                                |
|                                      | ⊕                | 10                       | 14 to 10              |            |                                |
| 2A0012                               | R/L1, S/L2, T/L3 | 12                       | 14 to 10              | M4         | 1.2 to 1.5<br>(10.6 to 13.3)   |
|                                      | U/T1, V/T2, W/T3 | 14                       | 14 to 10              |            |                                |
|                                      | ⊖, ⊕1, ⊕2        | –                        | 14 to 10              |            |                                |
|                                      | B1, B2           | –                        | 14 to 10              |            |                                |
|                                      | ⊕                | 10                       | 14 to 10              |            |                                |
| 2A0020                               | R/L1, S/L2, T/L3 | 10                       | 14 to 10              | M4         | 1.2 to 1.5<br>(10.6 to 13.3)   |
|                                      | U/T1, V/T2, W/T3 | 10                       | 14 to 10              |            |                                |
|                                      | ⊖, ⊕1, ⊕2        | –                        | 14 to 10              |            |                                |
|                                      | B1, B2           | –                        | 14 to 10              |            |                                |
|                                      | ⊕                | 10                       | 14 to 10              |            |                                |

■ Three-Phase 400 V Class

Table 3.4 Wire Gauge and Torque Specifications

| Drive Model                | Terminal         | Recomm. Gauge AWG, kcmil | Wire Range AWG, kcmil | Screw Size | Tightening Torque N•m (lb.in.) |
|----------------------------|------------------|--------------------------|-----------------------|------------|--------------------------------|
| 4A0001<br>4A0002<br>4A0004 | R/L1, S/L2, T/L3 | 14                       | 14 to 10              | M4         | 1.2 to 1.5<br>(10.6 to 13.3)   |
|                            | U/T1, V/T2, W/T3 | 14                       | 14 to 10              |            |                                |
|                            | ⊖, ⊕1, ⊕2        | –                        | 14 to 10              |            |                                |
|                            | B1, B2           | –                        | 14 to 10              |            |                                |
|                            | ⊕                | 14                       | 14 to 10              |            |                                |
| 4A0005<br>4A0007<br>4A0009 | R/L1, S/L2, T/L3 | 14                       | 14 to 10              | M4         | 1.2 to 1.5<br>(10.6 to 13.3)   |
|                            | U/T1, V/T2, W/T3 | 14                       | 14 to 10              |            |                                |
|                            | ⊖, ⊕1, ⊕2        | –                        | 14 to 10              |            |                                |
|                            | B1, B2           | –                        | 14 to 10              |            |                                |
|                            | ⊕                | 10                       | 14 to 10              |            |                                |

### 3.6 Main Circuit Wiring

| Drive Model | Terminal         | Recomm. Gauge AWG, kcmil | Wire Range AWG, kcmil | Screw Size | Tightening Torque N·m (lb.in.) |
|-------------|------------------|--------------------------|-----------------------|------------|--------------------------------|
| 4A0011      | R/L1, S/L2, T/L3 | 12                       | 14 to 10              | M4         | 1.2 to 1.5<br>(10.6 to 13.3)   |
|             | U/T1, V/T2, W/T3 | 14                       | 14 to 10              |            |                                |
|             | ⊖, ⊕1, ⊕2        | –                        | 14 to 10              |            |                                |
|             | B1, B2           | –                        | 14 to 10              |            |                                |
|             | ⊕                | 10                       | 14 to 10              |            |                                |

#### ◆ Main Circuit Terminal Power Supply and Motor Wiring

This section outlines the various steps, precautions, and checkpoints for wiring the main circuit terminals and motor terminals.

**NOTICE:** When connecting the motor to the drive output terminals U/T1, V/T2, and W/T3, the phase order for the drive and motor should match. Failure to comply with proper wiring practices may cause the motor to run in reverse if the phase order is backward.

**NOTICE:** Route motor leads U/T1, V/T2, and W/T3 separate from all other leads to reduce possible interference related issues. Failure to comply may result in abnormal operation of drive and nearby equipment.

**NOTICE:** Do not connect phase-advancing capacitors or LC/RC noise filters to the output circuits. Improper application of noise filters could result in damage to the drive.

**NOTICE:** Do not connect the AC power line to the output motor terminals of the drive. Failure to comply could result in death or serious injury by fire as a result of drive damage from line voltage application to output terminals.

#### ■ Cable Length Between Drive and Motor

When the cable length between the drive and the motor is too long (especially at low frequency output), note that the cable voltage drop may cause reduced motor torque. Drive output current will increase as the leakage current from the cable increases. An increase in leakage current may trigger an overcurrent situation and weaken the accuracy of the current detection.

Adjust the drive carrier frequency according to the following table. If the motor wiring distance exceeds 100 m because of the system configuration, reduce the ground currents.

Refer to [Table 3.5](#) to set the carrier frequency to an appropriate level.

**Table 3.5 Cable Length Between Drive and Motor**

| Cable Length      | 50 m or less   | 100 m or less | Greater than 100 m |
|-------------------|----------------|---------------|--------------------|
| Carrier Frequency | 15 kHz or less | 5 kHz or less | 2 kHz or less      |

**Note:** When setting carrier frequency, calculate the cable length as the total distance of wiring to all connected motors when running multiple motors from a single drive.

#### ■ Ground Wiring

Follow the precautions to wire the ground for one drive or a series of drives.

**WARNING! Electrical Shock Hazard.** Always use a ground wire that complies with technical standards on electrical equipment and minimize the length of the ground wire. Improper equipment grounding may cause dangerous electrical potentials on equipment chassis, which could result in death or serious injury.

**WARNING! Electrical Shock Hazard.** Be sure to ground the drive ground terminal. (200 V Class: Ground to 100 Ω or less, 400 V Class: Ground to 10 Ω or less). Improper equipment grounding could result in death or serious injury by contacting ungrounded electrical equipment.

**NOTICE:** Do not share the ground wire with other devices such as welding machines or large-current electrical equipment. Improper equipment grounding could result in drive or equipment malfunction due to electrical interference.

**NOTICE:** When using more than one drive, ground multiple drives according to instructions. Improper equipment grounding could result in abnormal operation of drive or equipment.

Refer to [Figure 3.9](#) when using multiple drives. Do not loop the ground wire.

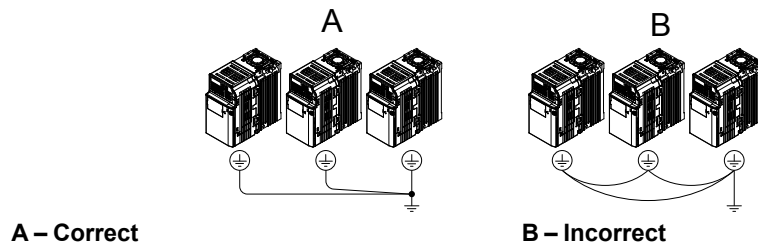
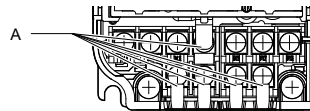


Figure 3.9 Multiple Drive Wiring

## ■ Wiring the Main Circuit Terminal

**WARNING!** *Electrical Shock Hazard. Shut off the power supply to the drive before wiring the main circuit terminals. Failure to comply may result in death or serious injury.*

**Note:** A cover placed over the DC Bus and braking circuit terminals prior to shipment helps prevent miswiring. Cut away covers as needed for terminals with a needle-nose pliers.



A –Protective Cover to Prevent Miswiring

### Main Circuit Connection Diagram

Refer to section [3.3 Main Circuit Connection Diagram](#) on page [37](#) for drive main power circuit connections.

**WARNING!** *Fire Hazard. The braking resistor connection terminals are B1 and B2. Do not connect braking resistors to any other terminals. Improper wiring connections could cause the braking resistor to overheat and cause death or serious injury by fire. Failure to comply may result in damage to the braking circuit or drive.*

## 3.7 Control Circuit Wiring

**NOTICE:** Do not solder the ends of wire connections to the drive. Soldered wire connections can loosen over time. Improper wiring practices could result in drive malfunction due to loose terminal connections.

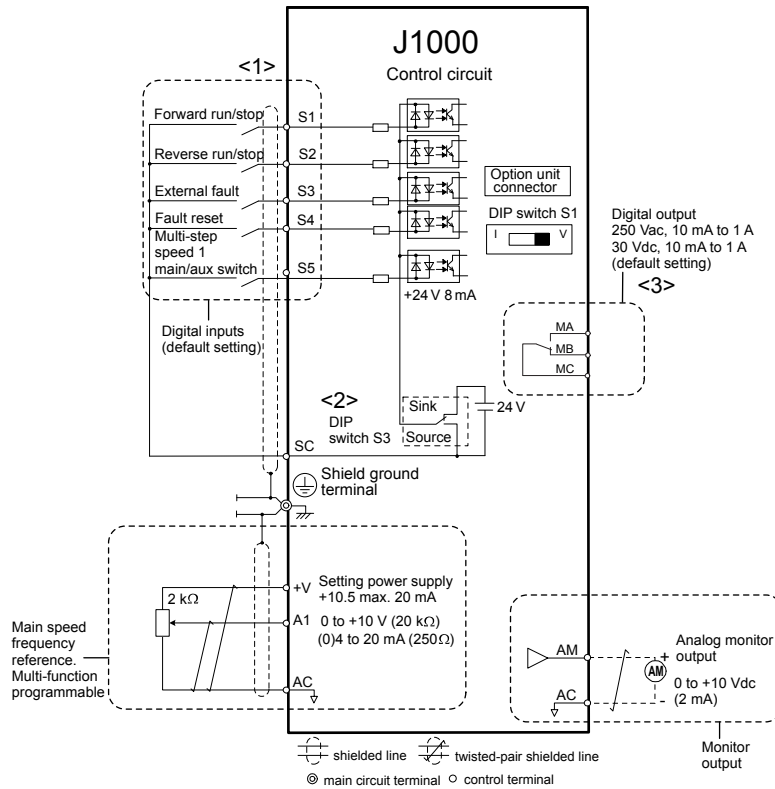


Figure 3.10 Control Circuit Connection Diagram

<1> Connected using sequence input signal (S1 to S5) from NPN transistor; Default: sink mode (0 V com)

<2> Use only the +24 V internal power supply in sinking mode; the source mode requires an external power supply. *Refer to I/O Connections on page 48.*

<3> Minimum load: 5 Vdc, 10 mA (reference value).

### ◆ Control Circuit Terminal Block Functions

Drive parameters determine which functions apply to the multi-function digital inputs (S1 to S5), multi-function digital outputs (MA, MB, MC), and multi-function analog output (AM). The default is called out next to each terminal in *Figure 3.10*.

**WARNING!** Sudden Movement Hazard. Always check the operation and wiring of control circuits after being wired. Operating a drive with untested control circuits could result in death or serious injury.

**WARNING!** Confirm the drive I/O signals and external sequence before starting test run. Failure to comply may result in death or serious injury.

### ■ Input Terminals

Table 3.6 Control Circuit Input Terminals

| Type                          | No. | Terminal Name (Function)                                 | Function (Signal Level) Default Setting   |
|-------------------------------|-----|--|---|
| Multi-Function Digital Inputs | S1  | Multi-function input 1 (Closed: Forward run, Open: Stop) | 24 Vdc, 8 mA<br><b>Note:</b> Drive preset to sinking mode. When using source mode, set DIP switch S3 to allow for a 24 Vdc ( $\pm 10\%$ ) external power supply. <i>Refer to Sinking/Sourcing Mode Switch on page 48.</i> |
|                               | S2  | Multi-function input 2 (Closed: Reverse run, Open: Stop) |   |
|                               | S3  | Multi-function input 3 (External fault (N.O.))           |   |
|                               | S4  | Multi-function input 4 (Fault reset)                     |   |
|                               | S5  | Multi-function input 5 (Multi-step speed reference 1)    |   |
|                               | SC  | Multi-function input common (Control common)             | Sequence common   |

| Type                           | No. | Terminal Name (Function)   | Function (Signal Level) Default Setting   |
|--------------------------------|-----|----------------------------|---|
| Main Frequency Reference Input | A1  | Frequency reference        | Input voltage or input current (Selected by DIP switch S1 and H3-01)<br>0 to +10 Vdc (20 kΩ),<br>Resolution: 1/1000<br>4 to 20 mA (250 Ω) or 0 to 20 mA (250 Ω),<br>Resolution: 1/500 |
|                                | +V  | Analog input power supply  | +10.5 Vdc (max allowable current 20 mA)   |
|                                | AC  | Frequency reference common | 0 Vdc   |

■ Output Terminals

Table 3.7 Control Circuit Output Terminals

| Type                          | No. | Terminal Name (Function) | Function (Signal Level) Default Setting   |
|-------------------------------|-----|--------------------------|---|
| Multi-Function Digital Output | MA  | N.O. output (fault)      | Digital output<br>30 Vdc, 10 mA to 1 A; 250 Vac, 10 mA to 1 A<br>Minimum load: 5 Vdc, 10 mA (reference value) |
|                               | MB  | N.C. output (fault)      |   |
|                               | MC  | Digital output common    |   |
| Monitor Output                | AM  | Analog monitor output    | 0 to 10 Vdc (2 mA or less) Resolution: 1/256  |
|                               | AC  | Monitor common           | 0 V   |

◆ Terminal Configuration

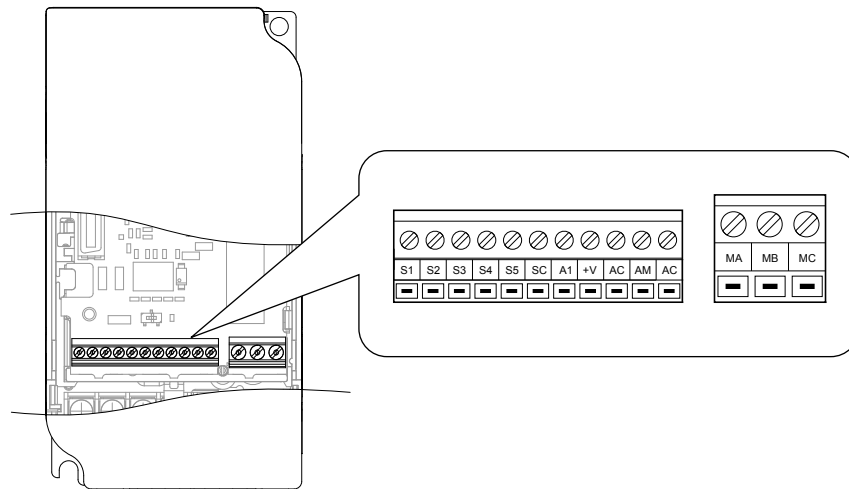


Figure 3.11 Control Circuit Terminal

■ Wire Size and Torque Specifications

Select appropriate wire type and size from [Table 3.8](#). For simpler and more reliable wiring, crimp ferrules to the wire ends. Refer to [Table 3.9](#) for ferrule terminal types and sizes.

Table 3.8 Wire Size and Torque Specifications (Same for All Models)

| Terminal                  | Screw Size | Tightening Torque N·m | Tightening Torque (in-lbs) | Bare Wire Terminal   |                               | Ferrule-Type Terminal                   |                               | Wire Type           |
|---------------------------|------------|-----------------------|----------------------------|--|-------------------------------|---|-------------------------------|---------------------|
|                           |            |                       |                            | Applic. wire size mm <sup>2</sup> (AWG)                            | Recomm. mm <sup>2</sup> (AWG) | Applic. wire size mm <sup>2</sup> (AWG) | Recomm. mm <sup>2</sup> (AWG) |                     |
| MA, MB, MC                | M3         | 0.5 to 0.6            | 4.4 to 5.3                 | Stranded: 0.25 to 1.5 (24 to 16)<br>Single: 0.25 to 1.5 (24 to 16) | 0.75 (18)                     | 0.25 to 1.0 (24 to 17)                  | 0.5 (20)                      | Shielded line, etc. |
| S1-S5, SC, +V, A1, AC, AM | M2         | 0.22 to 0.25          | 1.9 to 2.2                 | Stranded: 0.25 to 1.0 (24 to 18)<br>Single: 0.25 to 1.5 (24 to 16) | 0.75 (18)                     | 0.25 to 0.5 (24 to 20)                  | 0.5 (20)                      |                     |

## 3.7 Control Circuit Wiring

### ■ Ferrule-Type Wire Terminations

Crimp a ferrule to signal wiring to improve wiring simplicity and reliability. Use CRIMPFOX 6, a crimping tool manufactured by PHOENIX CONTACT.

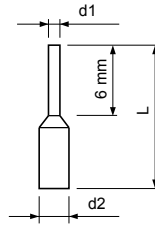


Figure 3.12 Ferrule Dimensions

Table 3.9 Ferrule Terminal Types and Sizes

| Size mm <sup>2</sup> (AWG) | Type        | L (mm) | d1 (mm) | d2 (mm) | Manufacturer    |
|----------------------------|-------------|--------|---------|---------|-----------------|
| 0.25 (24)                  | AI 0.25-6YE | 10.5   | 0.8     | 2.0     | PHOENIX CONTACT |
| 0.34 (22)                  | AI 0.34-6TQ | 10.5   | 0.8     | 2.0     |                 |
| 0.5 (20)                   | AI 0.5-6WH  | 12     | 1.1     | 2.5     |                 |
| 0.75 (18)                  | AI 0.75-6GY | 12     | 1.3     | 2.8     |                 |
| 1.0                        | AI 1-6RD    | 12     | 1.5     | 3.0     |                 |

### ◆ Wiring Procedure

This section describes the proper procedures and preparations for wiring the control terminals.

**WARNING!** *Electrical Shock Hazard. Do not remove covers or touch the circuit boards while the power is on. Failure to comply could result in death or serious injury.*

**NOTICE:** *Separate control circuit wiring from main circuit wiring (terminals R/L1, S/L2, T/L3, B1, B2, U/T1, V/T2, W/T3, -, +1, +2) and other high-power lines. Improper wiring practices could result in drive malfunction due to electrical interference.*

**NOTICE:** *Separate wiring for digital output terminals MA, MB and MC from wiring to other control circuit lines. Improper wiring practices could result in drive or equipment malfunction or nuisance trips.*

**NOTICE:** *Use a class 2 power supply (UL standard) when connecting to the control terminals. Improper application of peripheral devices could result in drive performance degradation due to improper power supply.*

**NOTICE:** *Insulate shields with tape or shrink tubing to prevent contact with other signal lines and equipment. Improper wiring practices could result in drive or equipment malfunction due to short circuit.*

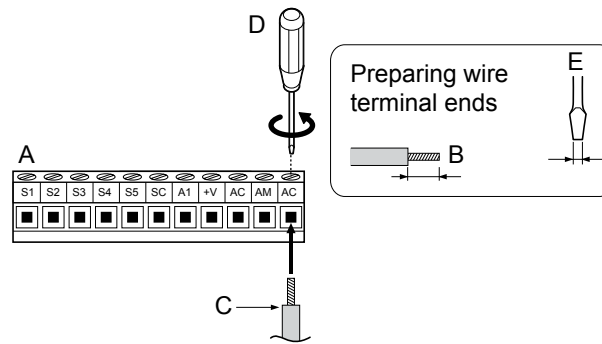
**NOTICE:** *Connect the shield of shielded cable to the appropriate ground terminal. Improper equipment grounding could result in drive or equipment malfunction or nuisance trips.*

Wire the control terminals using [Figure 3.13](#) as a guide. Prepare the ends of the control circuit wiring as shown in [Figure 3.14](#). Refer to [Wire Size and Torque Specifications on page 45](#).

**NOTICE:** *Do not tighten screws beyond the specified tightening torque. Failure to comply may damage the terminal.*

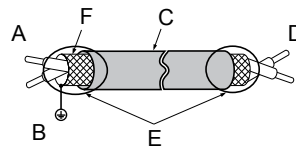
**NOTICE:** *Use shielded twisted-pair cables as indicated to prevent operating faults. Improper wiring practices could result in drive or equipment malfunction due to electrical interference.*

Connect control wires as shown in the following figure:



- A – Control terminal block
- B – Avoid fraying wire strands when stripping insulation from wire. Strip length 5.5 mm.
- C – Single wire or stranded wire
- D – Loosen screw to insert wire.
- E – Blade depth of 0.4 mm or less  
Blade width of 2.5 mm or less

Figure 3.13 Terminal Board Wiring Guide

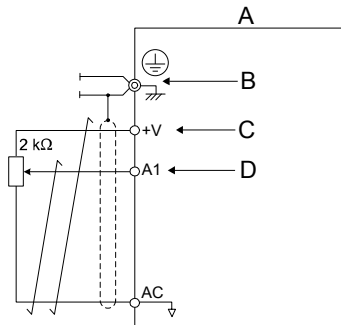


- A – Drive side
- B – Connect shield to ground terminal of drive.
- C – Insulation
- D – Control device side
- E – Shield sheath (Insulate with tape)
- F – Shield

Figure 3.14 Preparing the Ends of Shielded Cables

When setting the frequency by analog reference from an external potentiometer, use shielded twisted-pair wires and ground the shield of twisted-pair wires to the ground terminal of the drive.

**NOTICE:** The analog signal lines between the drive and the operator station or peripheral equipment should not exceed 50 meters when using an analog signal from a remote source to supply the frequency reference. Failure to comply could result in poor system performance.



- A – Drive
- B – Ground terminal (shield connection)
- C – (+V) Frequency setting power source +10.5 Vdc maximum 20 mA
- D – (A1) Main speed frequency reference 0 to +10 Vdc (20 kΩ)  
or  
4 to 20 mA (250 Ω)/  
0 to 20 mA (250 Ω)

Figure 3.15 Wiring the Frequency Reference to the Control Circuit Terminals (External Reference)

## 3.8 I/O Connections

### ◆ Sinking/Sourcing Mode Switch

Set the DIP switch S3 on the front of the drive to switch the digital input terminal logic between sinking mode and sourcing mode; the drive is preset to sinking mode.

Table 3.10 Sinking/Sourcing Mode Setting

| Set Value | Details                                    |
|-----------|--|
| SINK      | Sinking Mode (0 V common): default setting |
| SOURCE    | Sourcing Mode (+24 V common)               |

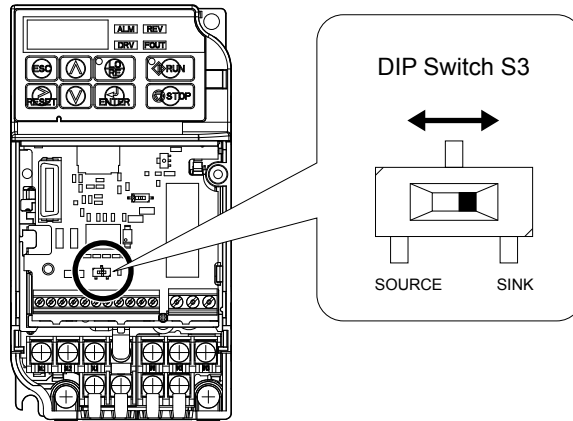


Figure 3.16 DIP Switch S3

### ■ Transistor Input Signal Using 0 V Common/Sink Mode

When controlling the digital inputs by NPN transistors (0 V common/sinking mode), set the DIP switch S3 to SINK and use the internal 24 V power supply.

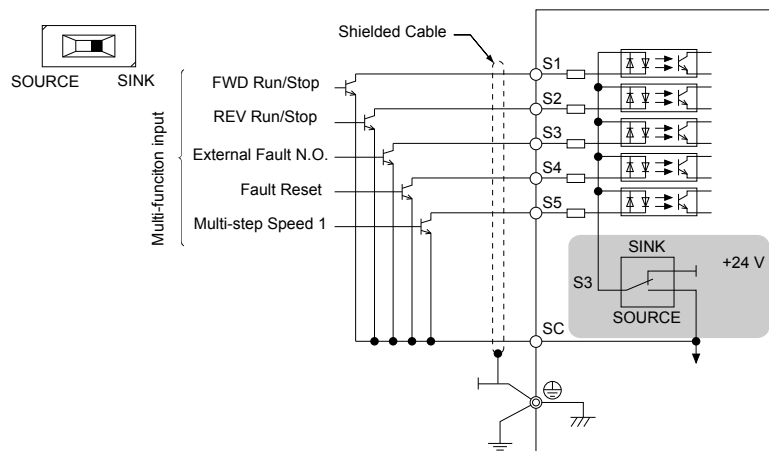


Figure 3.17 Sinking Mode: Sequence from NPN Transistor (0 V Common)



### ■ Transistor Input Signal Using +24 V Common/Source Mode

When controlling digital inputs by PNP transistors (+24 V common/sourcing mode), set the DIP switch S3 to SOURCE and use an external 24 V power supply.

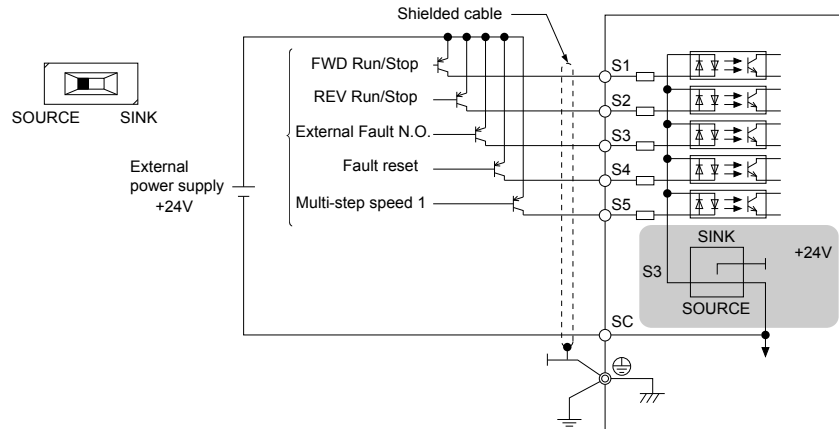


Figure 3.18 Source Mode: Sequence from PNP Transistor (+24 V Common)

## 3.9 Main Frequency Reference

### ◆ DIP Switch S1 Analog Input Signal Selection

The main frequency reference can either be a voltage or current signal input at terminal A1.

When using input A1 as a voltage input, set DIP switch S1 to “V” (right position, default setting) and program parameter H3-01 to “0” (0 to +10 Vdc with lower limit) or “1” (0 to +10 Vdc without lower limit).

To use current input at terminal A1, set the DIP switch S1 to "I" and set parameter H3-01 = “2” or “3” (4-20 mA or 0-20 mA).

Table 3.11 Frequency Reference Configurations

| Voltage Input | Current Input |
|---------------|---------------|
|               |               |

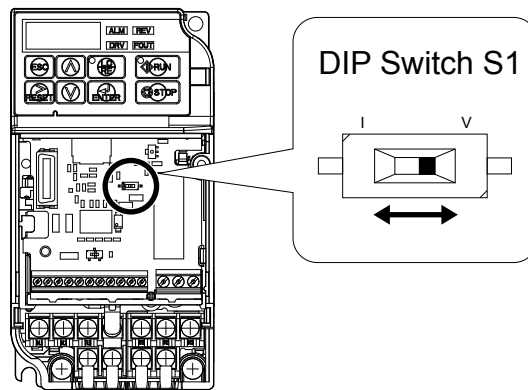


Figure 3.19 DIP Switch S1

Table 3.12 DIP Switch S1 Settings

| Setting Value      | Description                                |
|--------------------|--|
| V (right position) | Voltage input (0 to 10 V): default setting |
| I (left position)  | Current input (4 to 20 mA or 0 to 20 mA)   |

Table 3.13 Parameter H3-01 Details

| No.   | Parameter Name  | Description  | Setting Range | Default Setting | MEMOBUS Register |
|-------|---|--|---------------|-----------------|------------------|
| H3-01 | Frequency ref. (voltage/current) terminal A1 signal level selection | Selects the signal level for terminal A1.<br>0: 0 to +10 V, unipolar input (negative frequency reference values are zeroed)<br>1: 0 to +10 V, bipolar input (negative frequency reference changes the direction)<br>2: 4 to 20 mA<br>3: 0 to 20 mA | 0 to 3        | 0               | 410              |

## 3.10 Braking Resistor

Dynamic braking (DB) helps bring the motor to a smooth and rapid stop when working with high inertia loads. Regeneration occurs as the drive lowers the motor frequency with high inertia. When the regeneration flows back into the DC bus capacitors, an overvoltage situation occurs. A braking resistor prevents these overvoltage faults.

**NOTICE:** Do not allow unqualified personnel to use the product. Failure to comply could result in damage to the drive or braking circuit. Carefully review the braking resistor instruction manual when connecting a braking option to the drive.

**Note:** The braking circuit must be sized properly in order to dissipate the power required to decelerate the load in the desired time. Ensure that the braking circuit can dissipate the energy for the set deceleration time prior to running the drive.

**NOTICE:** Use a thermal overload relay or over-temperature contact to interrupt input power to the drive if the braking resistor overheats. In the event of a possible thermal overload, the relay triggers the input contactor and prevents the braking resistor from burning up.

### ◆ Installation

**WARNING! Fire Hazard.** The braking resistor connection terminals are B1 and B2. Do not connect a braking resistor directly to any other terminals. Improper wiring connections could result in death or serious injury by fire. Failure to comply may result in damage to the braking circuit or drive.

**NOTICE:** Connect braking resistors to the drive as shown in the I/O wiring examples. Improperly wiring braking circuits could result in damage to the drive or equipment.

### ■ Installation Procedure

1. Disconnect all electrical power to the drive and wait at least one minute before servicing the drive and any connected components.
2. Remove drive front cover.
3. Use a voltmeter to verify that voltage is disconnected from incoming power terminals and that the DC bus no longer holds a charge.

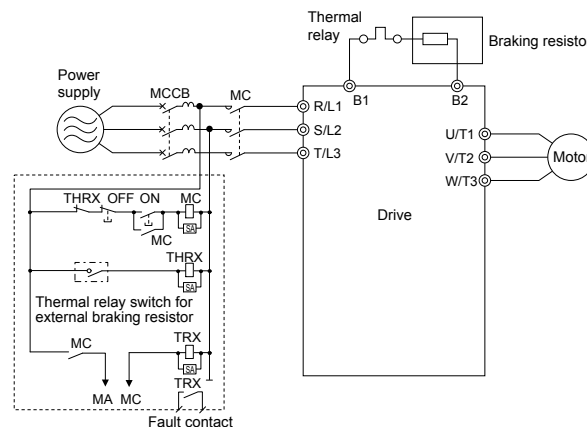


Figure 3.20 Connecting a Braking Resistor

4. Follow manufacturer instructions to connect the resistor unit to the drive using proper wire gauge according to local electrical codes.  
Power leads for the remote mount resistors generate high levels of electrical noise; group these signal leads separately.
5. Mount the resistor unit on a noncombustible surface. Maintain minimum side and top clearances according to resistor manufacturer instructions.

**WARNING! Fire Hazard.** Do not use improper combustible materials. Failure to comply could result in death or serious injury by fire. Attach the drive or braking resistors to metal or other noncombustible material.

6. Reinstall drive covers and resistor covers, if provided.
7. Set parameter L3-04 = "0" to disable stall prevention during deceleration.  
Set parameter L8-01 to "1" to enable overheat protection when using a heatsink-mounted braking resistor option.  
Set L8-01 = "0" for other braking resistor types.

## 3.10 Braking Resistor

---

**Table 3.14 Braking Resistor Settings**

| Parameter   | Settings   |
|---|--|
| L8-01: Internal Dynamic Braking Resistor Protection Selection | 0: Disabled. The drive will not provide overheat protection. Supply separate means of overheat protection.<br>1: Enabled. Braking Resistor is protected from overheat. |
| L3-04: Stall Prevention During Decel                          | 0: Stall prevention disabled.  |

8. Operate the system and verify the required deceleration rate is obtained during dynamic braking or stopping.

## 3.11 Interlocking with Connected Machinery

For safety reasons, applications that may be affected by the operation status of the drive should be set up so that operation can only occur when the drive is ready to operate. A "Drive ready" and "Fault" signal should be assigned to the multi-function outputs to guarantee interlock with application.

### ◆ Drive Ready Signal

When the "Drive ready" signal has been set to one of the multi-function contact outputs, that output will close whenever the drive is ready to accept a Run command or is already running. Under the following conditions the Drive ready signal will switch off and remain off, even if a Run command is entered:

- when the power supply is shut off
- during a fault
- when there is problem with the control power supply
- when a parameter setting error makes the drive unable to run even if a Run command has been entered
- when a fault such as overvoltage or undervoltage is triggered as soon as the Run command is entered
- when the drive is in the Programming mode and will not accept a Run command even when entered.

## 3.12 Wiring Checklist

| <input checked="" type="checkbox"/>         | No. | Item   | Page |
|---|-----|--|------|
| <b>Drive, peripherals, option cards</b>     |     |  |      |
| <input type="checkbox"/>                    | 1   | Check drive model number to ensure receipt of correct model.   | 17   |
| <input type="checkbox"/>                    | 2   | Check for correct braking resistors, DC link chokes, noise filters, and other peripheral devices.  | 51   |
| <b>Installation area and physical setup</b> |     |  |      |
| <input type="checkbox"/>                    | 3   | Ensure area surrounding the drive complies with specifications.  | 26   |
| <b>Power supply voltage, output voltage</b> |     |  |      |
| <input type="checkbox"/>                    | 4   | The voltage from the power supply should fall within the input voltage specification range of the drive.   | 94   |
| <input type="checkbox"/>                    | 5   | The voltage rating for the motor should match the drive output specifications.   | 17   |
| <b>Main circuit wiring</b>                  |     |  |      |
| <input type="checkbox"/>                    | 6   | Confirm proper branch circuit protection exists per National and Local codes.  | 34   |
| <input type="checkbox"/>                    | 7   | Properly wire the power supply to drive terminals R/L1, S/L2 and T/L3.   | 37   |
| <input type="checkbox"/>                    | 8   | Properly wire the drive and motor together. The motor lines and drive output terminals R/T1, V/T2 and W/T3 should match in order to produce the desired phase order. If the phase order is incorrect, the drive will rotate in the opposite direction.   | 42   |
| <input type="checkbox"/>                    | 9   | Use 600 Vac vinyl-sheathed wire for the power supply and motor lines.  | 40   |
| <input type="checkbox"/>                    | 10  | Use the correct wire gauges for the main circuit. Refer to <a href="#">Table 3.2</a> through <a href="#">Table 3.4</a> .   | 40   |
|   |     | <ul style="list-style-type: none"> <li>When using comparatively long motor cable, calculate the amount of voltage drop.                             <div style="border: 1px solid black; padding: 5px; margin: 5px 0;"> <math display="block">\text{Motor rated voltage (V)} \times 0.02 \geq 3 \times \text{voltage resistance } (\Omega/\text{km}) \times \text{cable length (m)} \times \text{motor rated current (A)} \times 10^{-3}</math> </div> </li> </ul> | 40   |
|   |     | <ul style="list-style-type: none"> <li>If the cable between the drive and motor exceeds 50 m, adjust the carrier frequency (C6-02) accordingly.</li> </ul>   | 42   |
| <input type="checkbox"/>                    | 11  | Properly ground the drive. Review page <a href="#">42</a> .  | 42   |
| <input type="checkbox"/>                    | 12  | Tightly fasten all terminal screws (control circuit terminals, grounding terminals). Refer to <a href="#">Table 3.2</a> through <a href="#">Table 3.4</a> .  | 40   |
| <input type="checkbox"/>                    | 13  | <p>Set up overload protection circuits when running multiple motors from a single drive.</p> <p style="text-align: right; font-size: small;">MC1 - MCn ... magnetic contactor<br/>OL 1 - OLn ... thermal relay</p> <p><b>Note:</b> Close MC1 through MCn before operating the drive.</p>   | -    |
| <input type="checkbox"/>                    | 14  | If using a braking resistor or dynamic braking resistor unit, install a magnetic contactor. Properly install the resistor, and ensure that overload protection shuts off the power supply.   | 51   |
| <input type="checkbox"/>                    | 15  | Verify phase advancing capacitors are NOT installed on the output side of the drive.   | -    |
| <b>Control circuit wiring</b>               |     |  |      |
| <input type="checkbox"/>                    | 16  | Use twisted-pair cables for all drive control circuit wiring.  | 44   |
| <input type="checkbox"/>                    | 17  | Ground the shields of shielded wiring to the GND ⊕ terminal.   | 46   |
| <input type="checkbox"/>                    | 18  | If using a 3-Wire sequence, properly set parameters for multi-function contact input terminals S1 through S5, and properly wire control circuits.  | 36   |
| <input type="checkbox"/>                    | 19  | Check for any other wiring mistakes. Only use a multimeter to check wiring.  | -    |
| <input type="checkbox"/>                    | 20  | Properly fasten the control circuit terminal screws in the drive. Refer to <a href="#">Table 3.2</a> through <a href="#">Table 3.4</a> .   | 40   |
| <input type="checkbox"/>                    | 21  | Pick up all wire clippings.  | -    |
| <input type="checkbox"/>                    | 22  | Ensure that no frayed wires on the terminal block are touching other terminals or connections.   | -    |
| <input type="checkbox"/>                    | 23  | Properly separate control circuit wiring and main circuit wiring.  | -    |
| <input type="checkbox"/>                    | 24  | Analog signal line wiring should not exceed 50 m.  | -    |

# Start-Up Programming & Operation

---

This chapter explains the functions of the LED operator and how to program the drive for initial operation.

|            |   |           |
|------------|---|-----------|
| <b>4.1</b> | <b>SECTION SAFETY.....</b>                              | <b>56</b> |
| <b>4.2</b> | <b>USING THE DIGITAL LED OPERATOR.....</b>              | <b>58</b> |
| <b>4.3</b> | <b>THE DRIVE AND PROGRAMMING MODES.....</b>             | <b>62</b> |
| <b>4.4</b> | <b>START-UP FLOWCHART.....</b>                          | <b>68</b> |
| <b>4.5</b> | <b>POWERING UP THE DRIVE.....</b>                       | <b>69</b> |
| <b>4.6</b> | <b>NO-LOAD OPERATION TEST RUN.....</b>                  | <b>70</b> |
| <b>4.7</b> | <b>TEST RUN WITH LOAD CONNECTED.....</b>                | <b>71</b> |
| <b>4.8</b> | <b>VERIFYING AND BACKING UP PARAMETER SETTINGS.....</b> | <b>72</b> |
| <b>4.9</b> | <b>TEST RUN CHECKLIST.....</b>                          | <b>73</b> |

## 4.1 Section Safety

### DANGER

#### Electrical Shock Hazard

**Do not connect or disconnect wiring while the power is on.**

Failure to comply will result in death or serious injury.

### WARNING

#### Electrical Shock Hazard

**Do not operate equipment with covers removed.**

Failure to comply could result in death or serious injury.

The diagrams in this section may include drives without covers or safety shields to illustrate details. Be sure to reinstall covers or shields before operating the drives and run the drives according to the instructions described in this manual.

**Always ground the motor-side grounding terminal.**

Improper equipment grounding could result in death or serious injury by contacting the motor case.

**Do not touch any terminals before the capacitors have fully discharged.**

Failure to comply could result in death or serious injury.

Before wiring terminals, disconnect all power to the equipment. The internal capacitor remains charged even after the power supply is turned off. The charge indicator LED will extinguish when the DC bus voltage is below 50 Vdc. To prevent electric shock, wait at least one minute after all indicators are off and measure the DC bus voltage level to confirm safe level.

**Do not allow unqualified personnel to perform work on the drive.**

Failure to comply could result in death or serious injury.

Installation, maintenance, inspection, and servicing must be performed only by authorized personnel familiar with installation, adjustment and maintenance of AC drives.

**Do not perform work on the drive while wearing loose clothing, jewelry or without eye protection.**

Failure to comply could result in death or serious injury.

Remove all metal objects such as watches and rings, secure loose clothing, and wear eye protection before beginning work on the drive.

**Do not remove covers or touch circuit boards while the power is on.**

Failure to comply could result in death or serious injury.

#### Fire Hazard

**Tighten all terminal screws to the specified tightening torque.**

Loose electrical connections could result in death or serious injury by fire due to overheating of electrical connections.

**Do not use an improper voltage source.**

Failure to comply could result in death or serious injury by fire.

Verify that the rated voltage of the drive matches the voltage of the incoming power supply before applying power.

**Do not use improper combustible materials.**

Failure to comply could result in death or serious injury by fire.

Attach the drive to metal or other noncombustible material.



**NOTICE****Observe proper electrostatic discharge procedures (ESD) when handling the drive and circuit boards.**

Failure to comply may result in ESD damage to the drive circuitry.

**Never connect or disconnect the motor from the drive while the drive is outputting voltage.**

Improper equipment sequencing could result in damage to the drive.

**Do not use unshielded cable for control wiring.**

Failure to comply may cause electrical interference resulting in poor system performance. Use shielded twisted-pair wires and ground the shield to the ground terminal of the drive.

**Do not allow unqualified personnel to use the product.**

Failure to comply could result in damage to the drive or braking circuit.

Carefully review instruction manual TOBPC72060000 when connecting a braking option to the drive.

**Do not modify the drive circuitry.**

Failure to comply could result in damage to the drive and will void warranty.

Yaskawa is not responsible for any modification of the product made by the user. This product must not be modified.

**Check all the wiring to ensure that all connections are correct after installing the drive and connecting any other devices.**

Failure to comply could result in damage to the drive.

## 4.2 Using the Digital LED Operator

Use the LED operator to enter run and stop commands, display data, edit parameters, as well as display fault and alarm information.

### ◆ Keys, Displays, and LEDs

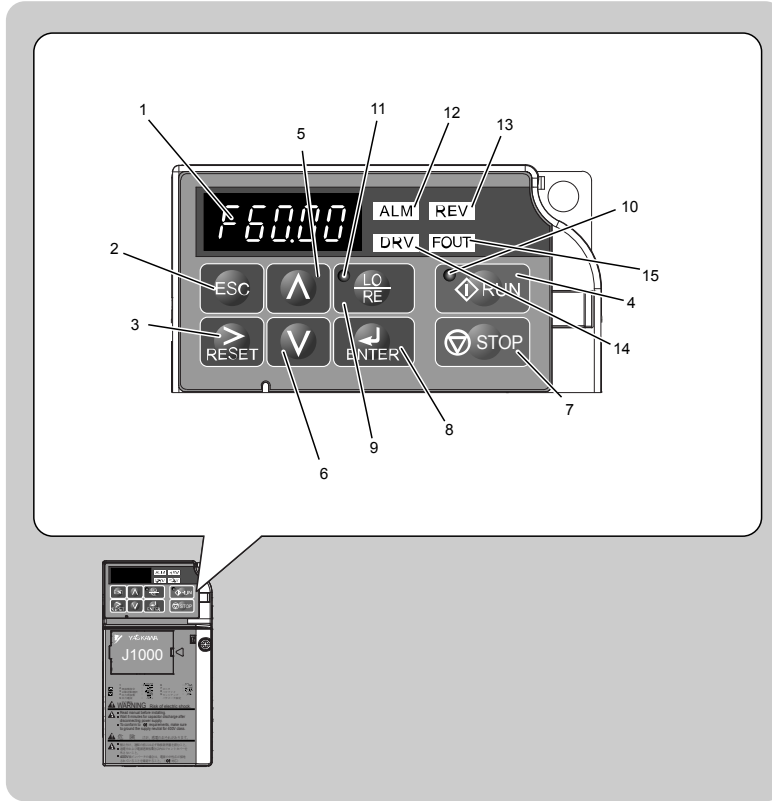


Table 4.1 Keys and Displays on the LED Operator

| No. | Display | Name                | Function  |
|-----|---------|---------------------|---|
| 1   |         | Data Display Area   | Displays the frequency reference, parameter number, etc.  |
| 2   |         | ESC Key             | Returns to the previous menu.   |
| 3   |         | RESET Key           | Moves the cursor to the right.<br>Resets the drive to clear a fault situation.  |
| 4   |         | RUN Key             | Starts the drive.   |
| 5   |         | Up Arrow Key        | Scrolls up to select parameter numbers, setting values, etc.  |
| 6   |         | Down Arrow Key      | Scrolls down to select parameter numbers, setting values, etc.  |
| 7   |         | STOP Key            | Stops the drive.<br><b>Note:</b> Stop priority circuit. Pressing the STOP key will always cause the drive to stop the motor, even if a Run command is active at any external Run command source. Set parameter o2-06 to 0 to disable the STOP key priority. |
| 8   |         | ENTER Key           | Selects all modes, parameters, settings, etc.<br>Selects a menu item to move from one display screen to the next.   |
| 9   |         | LO/RE Selection Key | Switches drive control between the operator (LOCAL) and the control circuit terminals (REMOTE).<br><b>Note:</b> LOCAL/REMOTE key effective during stop in drive mode.   |
| 10  |         | RUN Light           | Lit while the drive is operating the motor.   |

| No. | Display | Name           | Function   |
|-----|---------|----------------|--|
| 11  |         | LO/RE Light    | Lit while the operator (LOCAL) is selected to run the drive. |
| 12  |         | ALM LED Light  | <i>Refer to LED Screen Displays on page 59.</i>              |
| 13  |         | REV LED Light  |  |
| 14  |         | DRV LED Light  |  |
| 15  |         | FOUT LED Light |  |

### ◆ Digital Text Display

Text appears on the LED Operator as shown below. This section explains the meaning of text as it appears on the display screen.

| Lit | Flashing |
|-----|----------|
|     |          |

Table 4.2 Digital Text Display







| Text | LED | Text | LED | Text | LED | Text | LED  |
|------|-----|------|-----|------|-----|------|------|
| 0    | 0   | 9    | 9   | I    | i   | R    | r    |
| 1    | 1   | A    | A   | J    | j   | S    | s    |
| 2    | 2   | B    | b   | K    | k   | T    | t    |
| 3    | 3   | C    | c   | L    | l   | U    | u    |
| 4    | 4   | D    | d   | M    | m   | V    | v    |
| 5    | 5   | E    | e   | N    | n   | W    | w    |
| 6    | 6   | F    | f   | O    | o   | X    | None |
| 7    | 7   | G    | g   | P    | p   | Y    | y    |
| 8    | 8   | H    | h   | Q    | q   | Z    | None |

<1> Displayed in two digits.

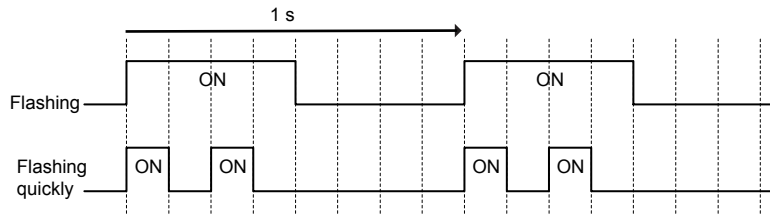
### ◆ LED Screen Displays

| Display                       | Lit                                      | Flashing   | Off                              |
|-------------------------------|--|--|----------------------------------|
|                               | When the drive detects an alarm or error | <ul style="list-style-type: none"> <li>When an alarm occurs</li> <li>oPE detected</li> </ul> | Normal state (no fault or alarm) |
|                               | Motor is rotating in reverse             | —  | Motor is rotating forward        |
|                               | Drive Mode                               | —  | Programming Mode                 |
|                               | Displays output frequency (Hz)           | —  | —                                |
| As illustrated in this manual |  |  |                                  |

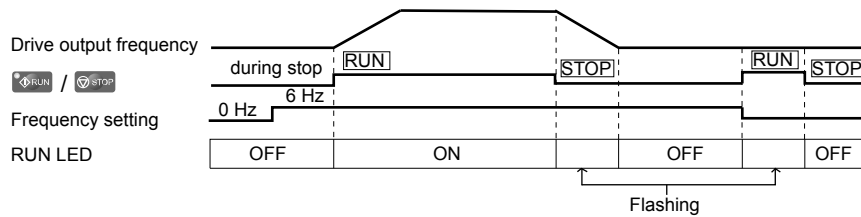
### ◆ LO/RE LED and RUN LED Indications

| LED   | Lit   | Flashing  | Flashing Quickly <1>   | Off   |
|---|---|---|--|---|
|  | When a Run command is selected from the LED operator (LOCAL)                      | –   | –  | Run command is selected from device other than LED operator (REMOTE)                |
|  | During Run  | <ul style="list-style-type: none"> <li>• During deceleration to stop</li> <li>• When a Run command is input and frequency reference is 0</li> </ul> | <ul style="list-style-type: none"> <li>• During deceleration at a fast-stop.</li> <li>• During stop by interlock operation.</li> </ul> | During stop   |
| As shown  |  |    |    |  |

<1> Refer to [Figure 4.1](#) for the difference between “flashing” and “flashing quickly”.



**Figure 4.1 RUN LED Status and Meaning**



**Figure 4.2 RUN LED and Drive Operation**

◆ Menu Structure for Digital LED Operator

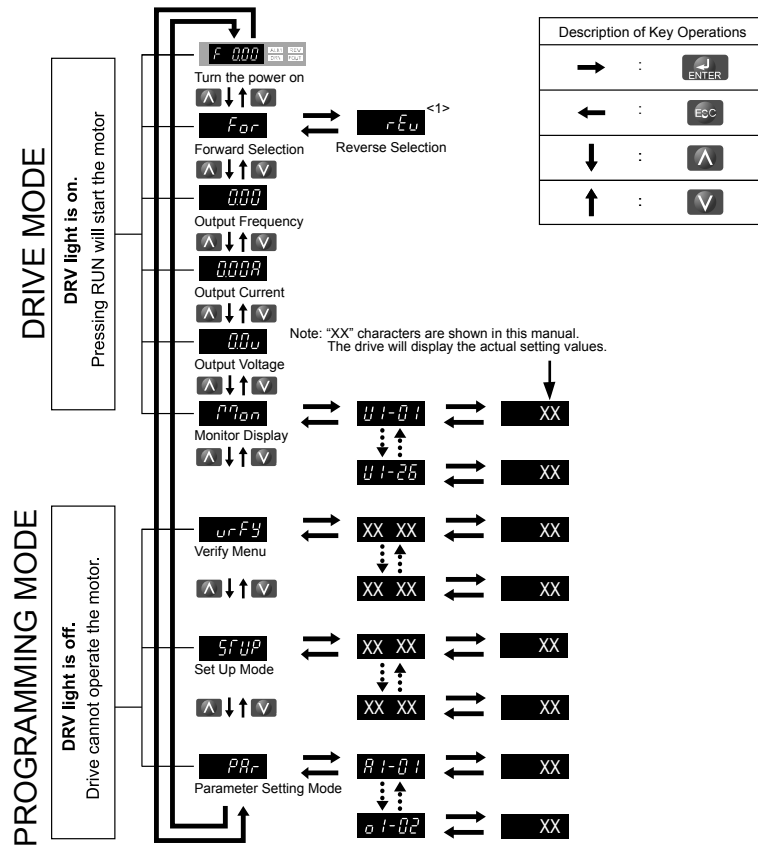


Figure 4.3 Digital LED Operator Screen Structure

<1> Reverse can only be selected when LOCAL is set.

## 4.3 The Drive and Programming Modes

The drive functions are divided into two main groups accessible via the Digital LED Operator:

**Drive Mode:** The Drive mode allows motor operation and parameter monitoring. Parameter settings cannot be changed when accessing functions in the Drive Mode ([Table 4.3](#)).

**Programming Mode:** The Programming Mode allows access to setup/adjust, verify parameters. The drive prohibits changes in motor operation such as start/stop when the Digital LED Operator is accessing a function in the Programming Mode.

[Table 4.3](#) illustrates the different functions visible as the “Up arrow” is scrolled immediately after powering up the drive.

**Note:** When b1-08 (Run Command Selection while in Programming Mode) is set to 1 (enabled), the drive can run even if the mode is switched to the programming mode. When setting b1-08 to 0 (disabled), the mode cannot be switched to the programming mode while the drive is running.

**Table 4.3 Summary of Modes**

| Mode Group   | Description  | Key Press | LED Digital Operator Display <1> |
|--|--|-----------|----------------------------------|
| Drive Mode Functions<br>(Motor operation and monitoring) | Frequency Reference Display (Initial power-up state) |           |                                  |
|  | Forward/Reverse                                      |           |                                  |
|  | Output Frequency Display                             |           |                                  |
|  | Output Current Display                               |           |                                  |
|  | Output Voltage Reference                             |           |                                  |
|  | Monitor Display                                      |           |                                  |
| Programming Mode Functions<br>(Changing parameters)      | Verify Function                                      |           |                                  |
|  | Setup Group Parameters                               |           |                                  |
|  | All Parameters                                       |           |                                  |

<1> The enlarged illustration of the LED indicates that the LED is on.

### ◆ Navigating the Drive and Programming Modes

The drive is set to operate in Drive Mode when it is first powered up. Switch between display screens using and .

|            |   |  |
|------------|---|--|
| Power Up   | <p>Frequency Reference</p> <p>Default Setting</p> | <p>This display screen allows the user to monitor and set the frequency reference while the drive is running. <a href="#">Refer to The Drive and Programming Modes on page 62.</a></p> <p><b>Note:</b> The user can select items to display when the drive is first powered up by setting parameter o1-02.</p>   |
| Drive Mode | <p>Forward/Reverse</p>                            | <p><i>F<sub>or</sub></i>: Motor rotates forward.</p> <p><i>r<sub>Ev</sub></i>: Motor rotates in reverse.</p> <p><b>Note:</b> For applications that should not run in reverse (fans, pumps, etc.), set parameter b1-04 = “1” to prohibit the motor from rotating in reverse. This sequence also puts the drive in LOCAL mode.</p> <p>Switching to reverse: <i>r<sub>Ev</sub></i></p> <p>The LED is lit when LOCAL is selected</p> |

|                  |                              |   |  |
|------------------|------------------------------|---|--|
| Drive Mode       |                              |   |  |
|                  | Output Frequency Display<br> | Monitors the frequency output by the drive.   |  |
|                  | Output Current Display<br>   | Monitors the output current of the drive.   |  |
| Drive Mode       | Output Voltage Reference<br> | Monitors the output voltage of the drive.   |  |
|                  | Monitor Display<br>          | Monitor parameters (U parameters) are displayed.  |  |
| Programming Mode | Verify Function<br>          | Lists all parameters that have been edited or changed from default settings. → Refer to <a href="#">Verifying Parameter Changes: Verify Menu on page 66</a> .   |  |
|                  | Setup<br>                    | A select list of parameters necessary to get the drive operational quickly. → Refer to <a href="#">The Setup Group within the Programming Mode on page 64</a> . |  |
|                  | Parameter Setting<br>        | Allows the user to access and edit all parameter settings. → Refer to <a href="#">Parameter List on page 189</a> .  |  |
|                  | Frequency Reference<br>      | Returns to the frequency reference display screen.  |  |
|                  |                              |   |  |
|                  |                              |   |  |

### ■ Drive Mode Details

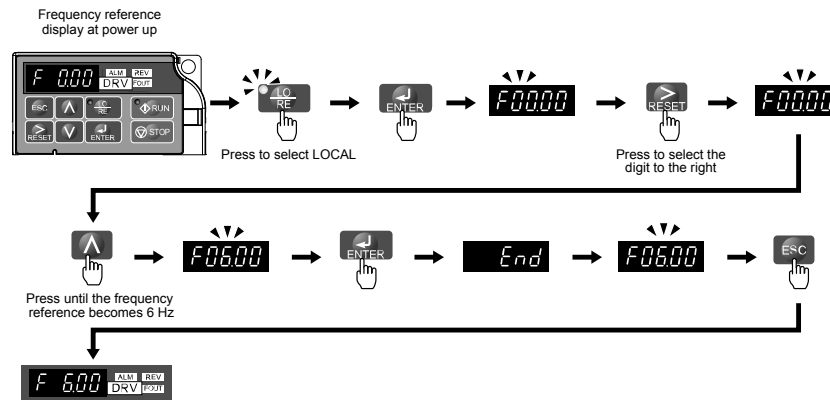
The following actions are possible in the Drive Mode:

- Run and stop the drive.
- Monitor the operation status of the drive (frequency reference, output frequency, output current, output voltage, etc.).
- View information on an alarm.

**Note:** Select "Drive Mode" when running. The mode can be switched to any mode (program mode, etc.) other than drive mode while the drive is stopped. However, the drive cannot be operated in other modes. Return the mode to "Drive Mode" after completing periodic inspection.

**Figure 4.4** illustrates changing the default frequency reference of F 0.00 (0 Hz) to F 6.00 (6 Hz) while in Drive Mode. This example assumes the drive is set to LOCAL.

## 4.3 The Drive and Programming Modes



**Figure 4.4** Setting the Frequency Reference while in Drive Mode

**Note:** The drive will not accept a frequency reference set value unless the ENTER key is pressed after the frequency reference is entered. This feature prevents accidental setting of the frequency reference. By setting o2-05 (Frequency Reference Setting Method Selection) to 1 (Enabled), the drive will accept the frequency reference while it is being adjusted on the digital operator.

### ■ Programming Mode Details

The following actions are possible in the programming mode:

- **Verify Function:** Verify parameter setting changes from original default values.
- **Setup Group:** Access a list of commonly used parameters to simplify setup.
- **Parameter Setting Mode:** Access and edit all parameter settings.

#### The Setup Group within the Programming Mode

In Setup Group, the user can access the minimum group of parameters required to operate the application.

**Note:** Setup Group parameters are listed in [Table 4.4](#).

[Figure 4.5](#) illustrates the keys to press to enter the Setup Group.

In this example, the source of the frequency reference is changed from the control circuit terminals to the LED Operator (i.e., b1-01 is changed from 1 to 0).



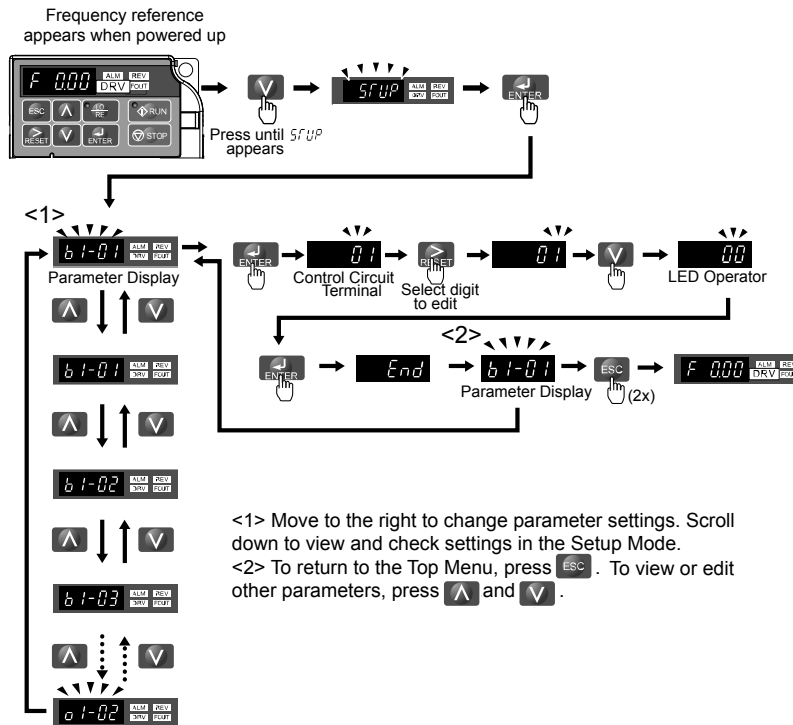


Figure 4.5 Setup Group Example

### ◆ Changing Parameter Settings or Values

This example explains changing C1-01 (Acceleration Time 1) from 10.0 seconds (default) to 20.0 seconds.

| Step |  | Display/Result |
|------|--|----------------|
| 1.   | Turn on the power to the drive. The initial display appears.                           | F 000          |
| 2.   | Press the  key until the Setup Mode Screen appears.                                    | SFUP           |
| 3.   | Press the  key to view the parameter setting display.                                  | b1-01          |
| 4.   | Scroll through parameters by pressing the  key until C1-01 appears.                    | C1-01          |
| 5.   | Press  to view the current setting value (10.0). (Number farthest to the left flashes) | 00 10.0        |
| 6.   | Press  until the desired number is selected. ("1" flashes)                             | 00 10.0        |
| 7.   | Press the  key and enter 0020.0.   | 0020.0         |
| 8.   | Press  and the drive will confirm the change.  | End            |
| 9.   | The display automatically returns to the screen shown in Step 4.                       | C1-01          |
| 10.  | Press the  key until back at the initial display.                                      | F 000          |

## 4.3 The Drive and Programming Modes

### ◆ Verifying Parameter Changes: Verify Menu

The Verify Menu lists edited parameters from the Programming Mode. The Verify Menu helps determine which settings have been changed, and is particularly useful when replacing a drive. If no settings have been changed the Verify Menu will read *none*. The Verify menu also allows users to access and re-edit edited parameters.

**Note:** The Verify Menu will not display parameters from the A1 group even if those parameters have been changed from default settings.

The following example is a continuation of the steps beginning on page 65. Here, parameter C1-01 is accessed using the Verify Menu and is changed again to 20.0 s.

To check the list of edited parameters:

| Step |   |   | Display/Result |
|------|---|---|----------------|
| 1.   | Turn on the power to the drive. The initial display appears.  | → |                |
| 2.   | Press  until the display shows the “Verify” representation.   | → |                |
| 3.   | Press  to enter the list of parameters that have been edited from their original default settings.<br>Scroll through the list by pressing the  key. | → |                |
| 4.   | Press the  key until C1-01 appears.   | → |                |
| 5.   | Press the  key to access the setting value. (number farthest to the left flashes)   | → |                |

### ◆ Switching Between LOCAL and REMOTE

Entering the run command using the LED operator is referred to as LOCAL, while entering the run command from an external device via the control circuit terminals or network option is referred to as REMOTE.

**WARNING! Sudden Movement Hazard.** The drive may start unexpectedly if the Run command is already applied when switching from LOCAL mode to REMOTE mode when b1-07 = 1, resulting in death or serious injury. Be sure all personnel are clear of rotating machinery and electrical connections prior to switching between LOCAL mode and REMOTE mode.

There are two ways to switch between LOCAL and REMOTE.

- Note:**
1. After selecting LOCAL, the LO/RE light will remain lit.
  2. The drive will not allow the user to switch between LOCAL and REMOTE during run.

#### ■ Using the LO/RE Key on the LED Operator

| Step |   |   | Display/Result |
|------|---|---|----------------|
| 1.   | Turn on the power to the drive. The initial display appears.  | → |                |
| 2.   | Press . The LO/RE light will light up. The drive is now in Local.<br>To set the drive for REMOTE operation, press the  key again. | → |                |

#### ■ Using Input Terminals S1 through S5 to Switch between LO/RE

Switch between LOCAL and REMOTE using one of the digital input terminals S1 through S5 (set the corresponding parameter H1-01 through H1-05 to “1”).

Follow the example below to set the digital input terminals.

- Note:**
1. For a list of digital input selections, [Refer to Parameter List on page 189](#).
  2. Setting a multi-function input terminal to a value of 1 disables the LO/RE key on the LED operator.

## ◆ Parameters Available in the Setup Group

### ■ Setup Mode (STUP)

Parameters used for this drive are classified into A to U. To simplify the drive setup, frequently used parameters are selected and input into Setup Mode.

1. To set a parameter, the Setup Mode must be displayed first. Press the Up/Down key until *STUP* is displayed.
2. Select the parameter and change the setting. [Table 4.4](#) lists parameters available in the Setup group. If the desired parameter cannot be set in the Setup mode, use the Parameter Setting mode.

**Table 4.4 Setup Group Parameters**

| Parameter | Name                          | Parameter | Name   |
|-----------|-------------------------------|-----------|--|
| b1-01     | Frequency Reference Selection | d1-17     | Jog Frequency Reference                        |
| b1-02     | Run Command Selection         | E1-01     | Input Voltage Reference                        |
| b1-03     | Stop Method Selection         | E1-04     | Maximum Output Frequency                       |
| C1-01     | Acceleration Time 1           | E1-05     | Maximum Voltage                                |
| C1-02     | Deceleration Time 1           | E1-06     | Base Frequency                                 |
| C6-01     | Drive Duty Selection          | E1-09     | Minimum Output Frequency                       |
| C6-02     | Carrier Frequency Selection   | E2-01     | Motor Rated Current                            |
| d1-01     | Frequency Reference 1         | H4-02     | Terminal AM Gain Setting                       |
| d1-02     | Frequency Reference 2         | L1-01     | Motor Protection Function Selection            |
| d1-03     | Frequency Reference 3         | L3-04     | Stall Prevention Selection during Deceleration |
| d1-04     | Frequency Reference 4         |           |  |

## 4.4 Start-up Flowchart

This section summarizes the basic steps required to start the drive. The flowchart is intended as a quick reference to help familiarize the user with start-up procedures.

### ◆ Flowchart: Basic Start-up

*Figure 4.5* describes basic start-up sequence for the drive and motor system. This sequence varies slightly depending on application. Use drive default parameter settings in simple applications that do not require high precision.

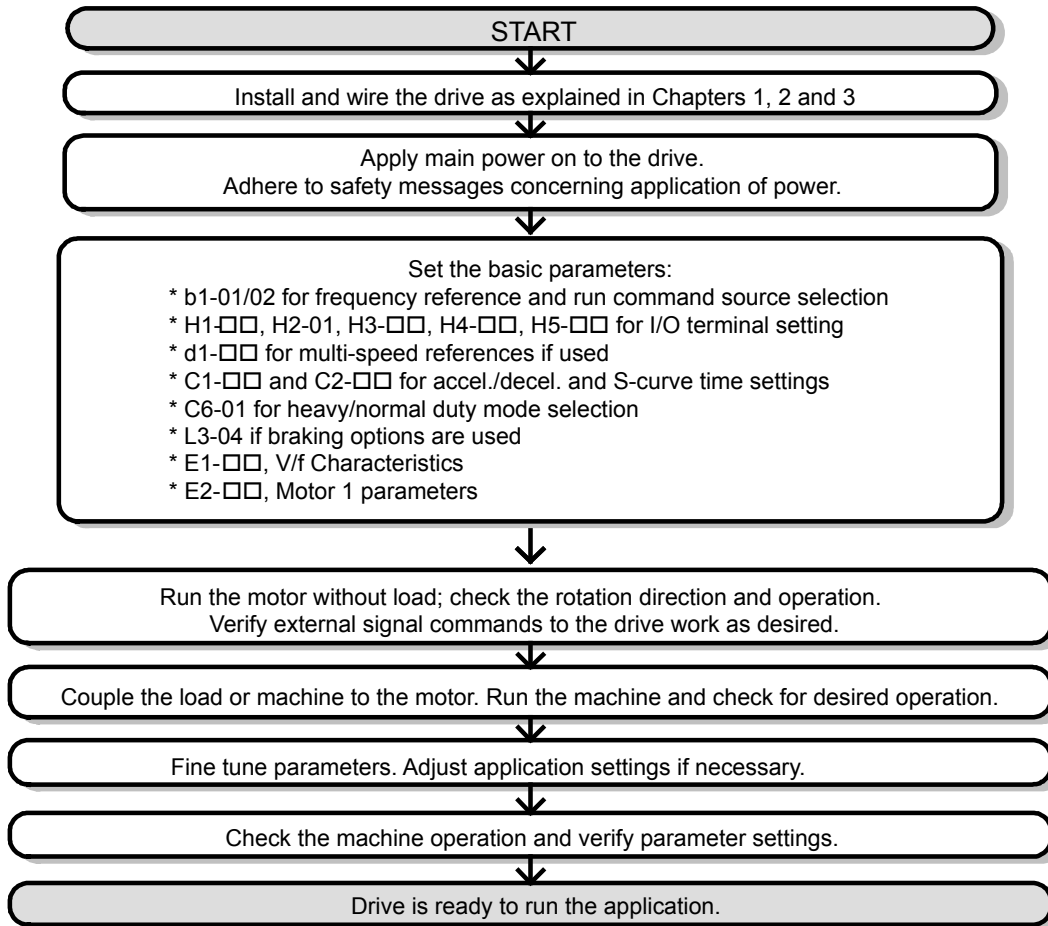


Figure 4.6 Basic Start-Up

## 4.5 Powering Up the Drive

### ◆ Powering Up the Drive and Operation Status Display



#### ■ Powering Up the Drive

Review the following checklist before turning the power on.

| Item to Check                              | Description  |
|--|--|
| Power supply voltage                       | Ensure the power supply voltage is correct:<br>200 V class: single-phase 200 to 240 Vac 50/60 Hz<br>200 V class: 3-phase 200 to 240 Vac 50/60 Hz<br>400 V class: 3-phase 380 to 480 Vac 50/60 Hz |
|  | Properly wire the power supply input terminals (R/L1, S/L2, T/L3).<br>(for single-phase 200 V class models, wire only R/L1 and S/L2)   |
|  | Check for proper grounding of drive and motor.   |
| Drive output terminals and motor terminals | Properly wire drive output terminals U/T1, V/T2, and W/T3 with motor terminals U, V, and W.  |
| Control circuit terminals                  | Check control circuit terminal connections.  |
| Drive control terminal status              | Open all control circuit terminals (off).  |
| Status of the load and connected machinery | Uncouple the motor from the load.  |

#### ■ Status Display

When the power supply to the drive is turned on, the LED operator lights will appear as follows:

| No.              | Name   | Description   |
|------------------|--|---|
| Normal Operation |                                    | The data display area displays the frequency reference. <b>[DRV]</b> is lit.  |
| Fault            | <br>Main circuit low voltage (ex) | Data displayed varies by the type of fault. <i>Refer to Fault Displays, Causes, and Possible Solutions on page 133</i> for more information and possible solution. <b>[ALM]</b> and <b>[DRV]</b> are lit. |

### ◆ V/f Pattern Setting

Setting the V/f pattern according to the application. *Refer to E: Motor Parameters on page 94* for details on setting the V/f pattern.

#### ■ Notes when Setting the V/f Pattern

Set the maximum output frequency to match the motor characteristics.

If the V/f pattern voltage is increased motor torque may also increase. However, if the V/f voltage is set too high these problems may occur:

- Excessive motor current.
- Motor overheat or vibration.

## 4.6 No-Load Operation Test Run

### ◆ No-Load Operation Test Run

This section explains how to operate the drive with the motor uncoupled from the load during a test run.

#### ■ Before Starting the Motor

Check the following items before operation:

- Ensure the area around the motor is safe.
- Ensure external emergency stop circuitry is working properly and other safety precautions have been taken.

#### ■ During Operation



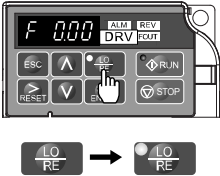

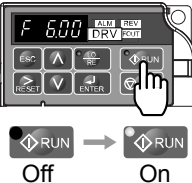
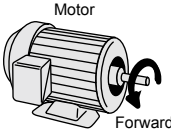


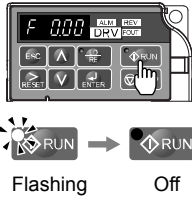
Check the following items during operation:

- The motor should rotate smoothly (i.e., no abnormal noise or oscillation).
- The motor should accelerate and decelerate smoothly.

#### ■ No-Load Operation Instructions

The following example illustrates a test run procedure using the digital operator.

**Note:** Before starting the motor, set the frequency reference d1-01 to 6 Hz.

| Step |   |   | Display/Result  |
|------|---|---|---|
| 1.   | Turn on the power to the drive. The initial display appears.  | → |    |
| 2.   | Press the  key to select LOCAL. The LO/RE LED will turn on.   | → |   |
| 3.   | Press  to give the drive a Run command. RUN will light and the motor will rotate at 6 Hz.  | → |  |
| 4.   | Ensure the motor is rotating in the correct direction and no faults or alarms occur.  | → |  |
| 5.   | If there is no error in step 4, press  to increase the frequency reference. Increase the frequency in 10 Hz increments verifying smooth operation results at all speeds. For each frequency, monitor the drive output current (U1-03) through the LED operator to confirm the current is well below the motor rated current. |   |   |
| 6.   | The drive should operate normally. Press  to stop the motor. RUN flashes until the motor comes to a complete stop.   | → |  |

## 4.7 Test Run with Load Connected

### ◆ Test Run with the Load Connected

After performing a no-load test run connect the load and proceed to run the motor and load together.

#### ■ Notes on Connected Machinery

- Clear the area around the motor.
- The motor should come to a complete stop without problems.
- Connect the machinery.
- Fasten all installation screws properly. Check that the motor and connected machinery are held in place.
- Confirm that the Fast-stop circuit or mechanical safety measures operate correctly.
- Be ready to press the STOP button in case of emergency.

#### ■ Checklist Before Operation

- The motor should rotate in the proper direction.
- The motor should accelerate and decelerate smoothly.

#### ■ Operating the Motor under Loaded Conditions

Test run the application similarly to the no-load test procedure when connecting the machinery to the motor.

- Check monitor parameter U1-03 to ensure there is no overcurrent.
- If the application permits running the load in the reverse direction, try changing motor direction and the frequency reference while watching for abnormal motor oscillation or vibration.
- Correct any problems that occurs with hunting, oscillation, or other control-related issues.

### 4.8 Verifying and Backing Up Parameter Settings

Check changes to parameter settings using the Verify function. *Refer to Verifying Parameter Changes: Verify Menu on page 66.*

Save the verified parameter settings. Change the access level or set a password to the drive to prevent accidental modification of parameter settings.



#### ◆ Parameter Access Level: A1-01

Setting the Access Level for “Operation only” (A1-01 = 0) allows the user to access parameters A1-□□ and U□-□□ only. Other parameters are not displayed.

| No.   | Parameter Name         | Description  | Setting Range | Default |
|-------|------------------------|--|---------------|---------|
| A1-01 | Access Level Selection | Selects which parameters are accessible via the digital operator.<br>0: Operation only (A1-01 and A1-04 can be set and monitored. U parameters can be monitored)<br>2: Advanced Access Level (All parameters can be set and monitored) | 0, 2          | 2       |

#### ◆ Password Settings: A1-04, A1-05

The user can set a password to the drive to restrict access. The password is selected via parameter A1-05. The selected password must be entered in parameter A1-04 to unlock parameter access (i.e., parameter setting A1-04 must match the value programmed into A1-05). The following parameters cannot be viewed or edited until the value programmed into A1-04 correctly matches the value as programmed in parameter A1-05: A1-01 and A1-03.

**Note:** Parameter A1-05 is hidden from view. To display A1-05, access parameter A1-04 and simultaneously depress the  key and the  key.

#### ◆ Copy Function (Optional)

Parameter settings can be copied to another drive to simplify parameter restoration or multiple drive setup. The RS-232C Interface Unit (Removable Type) (SI-232/JC) is required to use the following options with J1000 drives:

##### ■ USB/Copy Unit (JVOP-181)

The copy unit is an external option connected to the drive to copy parameter settings to another drive. It includes a USB adapter to connect the drive to a PC.

##### ■ LED Operator (JVOP-182)

The LED operator operates the drive and supports copying, importing, and verifying parameter settings.

**Note:** Use of the LED operator requires that the drive is running drive software version PRG: 1010 or later.

##### ■ Drive Wizard Plus

Drive Wizard Plus is a PC software tool for parameter management, monitoring, and diagnosis. Drive Wizard Plus can load, store, and copy drive parameter settings. For details, refer to Help in the Drive Wizard Plus software.

The installation files can be obtained at no charge from:

U.S.: <http://www.yaskawa.com>




## 4.9 Test Run Checklist

Review the checklist before performing a test run. Check each item that applies.

| <input checked="" type="checkbox"/> | No. | Checklist  | Page |
|-------------------------------------|-----|--|------|
| <input type="checkbox"/>            | 1   | Thoroughly read the manual before performing a test run. | —    |
| <input type="checkbox"/>            | 2   | Turn the power on.                                       | 69   |
| <input type="checkbox"/>            | 3   | Set the voltage for the power supply to E1-01.           | 94   |

Check the items that correspond to the control mode being used.

**WARNING!** Ensure start/stop and safety circuits are wired properly and in the correct state before energizing the drive. Failure to comply could result in death or serious injury from moving equipment. When programmed for 3-Wire control, a momentary closure on terminal S1 may cause the drive to start.

| <input checked="" type="checkbox"/> | No. | Checklist   | Page |
|-------------------------------------|-----|---|------|
| <input type="checkbox"/>            | 4   | The <b>DRV</b> should illuminate after giving a run command.  | —    |
| <input type="checkbox"/>            | 5   | To give a run command and frequency reference from the LED Digital Operator, press  to set to LOCAL. The LO/RE key lights while LOCAL is displayed.  | 66   |
| <input type="checkbox"/>            | 6   | If the motor rotates in the opposite direction during the test run, switch two of the drive output terminals (U/T1, V/T2, W/T3).  | 69   |
| <input type="checkbox"/>            | 7   | Select the correct duty rating (C6-01) for the application.   | —    |
| <input type="checkbox"/>            | 8   | Set the correct values for the motor rated current (E2-01) and the motor protection selection (L1-01) to ensure motor thermal protection.   | —    |
| <input type="checkbox"/>            | 9   | If the run command and frequency reference are provided via the control circuit terminals, set the drive for REMOTE and be sure the LO/RE light is out.   | 66   |
| <input type="checkbox"/>            | 10  | If the control circuit terminals should supply the frequency reference, select the correct voltage input signal level (0 to 10 V) or the correct current input signal level (4 to 20 mA or 0 to 20 mA).   | 66   |
| <input type="checkbox"/>            | 11  | Set the proper voltage to terminal A1. (0 to 10 V).   | 79   |
| <input type="checkbox"/>            | 12  | When current input is used, switch the drive built-in DIP switch S1 from the V-side (OFF) to I-side (ON).   | —    |
| <input type="checkbox"/>            | 13  | Set the minimum and maximum frequency references to the desired values. Make the following adjustments if the drive does not operate as expected:<br>Gain adjustment: Set the maximum voltage/current signal and adjust the analog input gain (H3-03) until the frequency reference value reaches the desired value.<br>Bias adjustment: Set the minimum voltage/current signal and adjust the analog input bias (H3-04) until the frequency reference value reaches the desired minimum value. | —    |

**This Page Intentionally Blank**

## Parameter Details

---

|      |                                   |     |
|------|-----------------------------------|-----|
| 5.1  | A: INITIALIZATION.....            | 76  |
| 5.2  | B: APPLICATION.....               | 79  |
| 5.3  | C: TUNING.....                    | 85  |
| 5.4  | D: REFERENCE SETTINGS.....        | 90  |
| 5.5  | E: MOTOR PARAMETERS.....          | 94  |
| 5.6  | H: TERMINAL FUNCTIONS.....        | 98  |
| 5.7  | L: PROTECTION FUNCTIONS.....      | 112 |
| 5.8  | N: SPECIAL ADJUSTMENTS.....       | 121 |
| 5.9  | O: OPERATOR RELATED SETTINGS..... | 122 |
| 5.10 | U: MONITOR PARAMETERS.....        | 126 |

## 5.1 A: Initialization

The initialization group contains parameters associated with initial setup of the drive. Parameters involving the display language, access levels, initialization, and password are located in this group.

### ◆ A1: Initialization

#### ■ A1-01: Access Level Selection

Allows or restricts access to drive parameters.

| No.   | Parameter Name         | Setting Range | Default |
|-------|------------------------|---------------|---------|
| A1-01 | Access Level Selection | 0, 2          | 2       |

##### Setting 0: Operation Only

Access is restricted to parameters A1-01, A1-04, and all U monitor parameters.

##### Setting 2: Advanced Access Level (A) and Setup Access Level (S)

All parameters can be viewed and edited.

##### Notes on Parameter Access

- If the drive parameters are password protected by A1-04 and A1-05, parameters A1-01 and A1-03 cannot be modified.
- If parameters are changed via serial communication the parameters cannot be changed from the digital operator until an Enter command is received from the serial communication.

#### ■ A1-03: Initialize Parameters

Resets parameter settings back to their original default values. After the initialization the parameter automatically returns to 0.

| No.   | Parameter Name        | Setting Range | Default |
|-------|-----------------------|---------------|---------|
| A1-03 | Initialize Parameters | 0, 2220, 3330 | 0       |

##### Setting 0: No Initialization

##### Setting 2220: 2-Wire Initialization

Resets all parameters back to their original default settings with digital inputs S1 and S2 configured as forward run and reverse run, respectively. [Refer to Setting 40/41: Forward Run/Reverse Run Command for 2-Wire Sequence on page 103](#) for details.

##### Setting 3330: 3-Wire Initialization

The drive parameters are returned to factory default values with digital inputs S1, S2, and S5 configured as run, stop, and forward/reverse respectively. [Refer to Setting 0: 3-Wire Sequence on page 98](#) for details.

##### Notes on Parameter Initialization

The parameters shown in [Table 5.1](#) will not be reset when the drive is initialized by setting A1-03 = 2220 or 3330.

Table 5.1 Parameters not Changed by Drive Initialization

| No.   | Parameter Name         |
|-------|------------------------|
| C6-01 | Drive Duty Selection   |
| E1-03 | V/f Pattern Selection  |
| o2-04 | Drive/kVA Selection    |
| L8-35 | Installation Selection |

#### ■ A1-04, A1-05: Password and Password Setting

A1-04 is for entering the password when the drive is locked. A1-05 is a hidden parameter used to set the password.

| No.   | Parameter Name   | Setting Range | Default |
|-------|------------------|---------------|---------|
| A1-04 | Password         | 0 to 9999     | 0       |
| A1-05 | Password Setting |               |         |

### How to use the Password

The user can set a password for the drive to restrict access. The password is set to A1-05 and must be entered to A1-04 to unlock parameter access. Until the correct password is entered, the following parameters cannot be viewed or edited: A1-01 and A1-03.

The instructions below demonstrate how to set a new password. Here, the password set is “1234”. An explanation follows on how to enter the password to unlock the parameters.

**Table 5.2 Setting the Password for Parameter Lock**

| Step |   |   | Display/Result   |
|------|---|---|------------------|
| 1.   | Turn on the power to the drive. The initial display appears.  | → |                  |
| 2.   | Scroll to the Parameter Setup display and press   | → |                  |
| 3.   | Scroll to the right by pressing   | → |                  |
| 4.   | Select the flashing digits by pressing  | → |                  |
| 5.   | Select A1-04 by pressing  | → |                  |
| 6.   | Press the  key while holding down  at the same time. A1-05 will appear.<br><b>Note:</b> A1-05 is normally hidden, but can be displayed by following the directions listed here. | → | <br>“05” flashes |
| 7.   | Press the  key.   | → |                  |
| 8.   | Use , , and  to enter the password.   | → |                  |
| 9.   | Press  to save what was entered.  | → |                  |
| 10.  | The display automatically returns to the display shown in step 5.   | → |                  |











**Table 5.3 Check to see if A1-01 is locked (continuing from step 10 above)**

| Step |   |   | Display/Result   |
|------|---|---|------------------|
| 1.   | Press  to display A1-01.  | → | <br>“01” flashes |
| 2.   | Press  to display the value set to A1-01.                           | → |                  |
| 3.   | Press  and , making sure that the setting values cannot be changed. |   |                  |
| 4.   | Press  to return to the first display.                              | → |                  |

**Table 5.4 Enter the Password to Unlock Parameters (continuing from step 4 above)**

| Step |  |   | Display/Result   |
|------|--|---|------------------|
| 1.   | Press  to enter the parameter setup display.   | → |                  |
| 2.   | Press  to select the flashing digits as shown. | → | <br>“01” flashes |
| 3.   | Press  to scroll to A1-04.                     | → |                  |
| 4.   | Enter the password “1234”.                     | → |                  |
| 5.   | Press  to save the new password.               | → |                  |
| 6.   | Drive returns to the parameter display.        | → |                  |

## 5.1 A: Initialization

| Step |   |   | Display/Result  |
|------|---|---|---|
| 7.   | Press  and scroll to A1-01.  | → |  |
| 8.   | Press  to display the value set to A1-01. If the first "0" blinks, parameter settings are unlocked.  | → |  |
| 9.   | Use  and  to change the value if desired. This is not typical.                            |   |   |
| 10.  | Press  to save the setting, or  to return to the previous display without saving changes. | → |  |
| 11.  | The display automatically returns to the parameter display.   | → |  |

**Note:** Parameter settings can be edited after entering the correct password. Performing a 2-Wire or 3-Wire initialization resets the password to "0000". Reenter the password to parameter A1-05 after drive initialization.

## 5.2 b: Application

Application parameters configure the source of the frequency reference, the Run command, DC Injection Braking, and other application-related settings.

### ◆ b1: Mode of Operation

#### ■ b1-01: Frequency Reference Selection

Use parameter b1-01 to select the frequency reference source for the REMOTE mode.

- Note:**
1. If a Run command is input to the drive but the frequency reference entered is 0 or below the minimum frequency, the RUN indicator LED on the digital operator will illuminate.
  2. Press the LO/RE key to set the drive to LOCAL and use the operator keypad to enter the frequency reference.

| No.   | Parameter Name                | Setting Range | Default |
|-------|-------------------------------|---------------|---------|
| b1-01 | Frequency Reference Selection | 0 to 3        | 1       |

#### Setting 0: Digital Operator

Using this setting, the frequency reference can be input by:

- Switching between the multi-speed references in the d1-□□ parameters.
- Entering the frequency reference on the operator keypad.

#### Setting 1: Terminals (Analog Input Terminals)

Using this setting, an analog frequency reference can be entered from terminal A1 using a 0 to 10 Vdc or a 0/4 to 20 mA signal.

- Note:** The input signal type must be set up by setting DIP switch S1 and adjusting parameter H3-01. *Refer to H3-01: Terminal A1 Signal Level Selection on page 107.*

#### Using a 0 to 10 Vdc Voltage Input Signal:

Use a circuit such as the one shown in [Figure 5.1](#) or an external 0 to 10 Vdc voltage source like a PLC analog output and set the input level selection for A1 in parameter H3-01 as desired. *Refer to H3-01: Terminal A1 Signal Level Selection on page 107.*

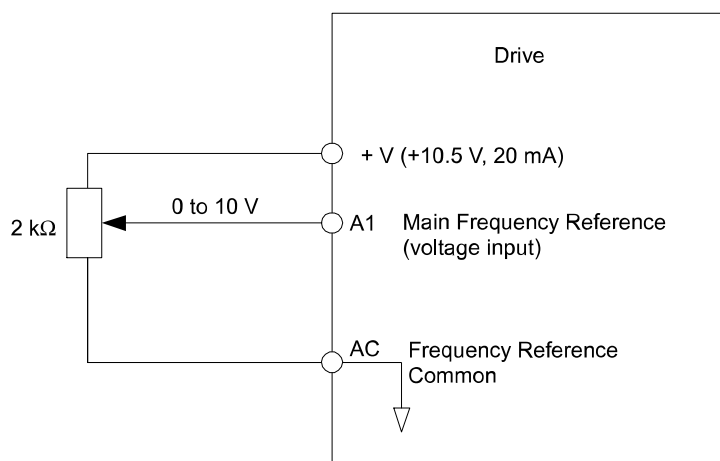


Figure 5.1 Setting the Frequency Reference by Voltage Input

#### Using a 0/4 to 20 mA Current Input Signal:

Connect input A1 to an external current source such as the one shown in [Figure 5.2](#). Make sure that switch S1 is set to “I” and set the appropriate signal level by entering 2 (4 to 20 mA) or 3 (0 to 20 mA) into parameter H3-01.

## 5.2 b: Application

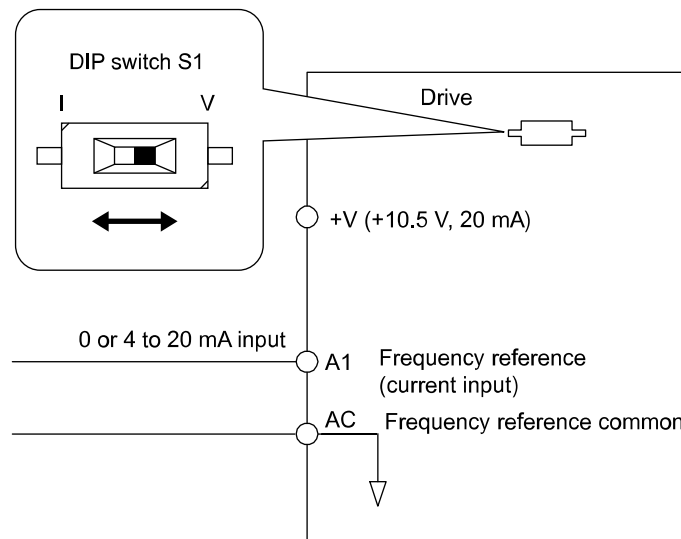


Figure 5.2 Setting the Frequency Reference by Current Input

### Setting 2: MEMOBUS/Modbus Communications

Using this setting, the frequency reference can be entered via RS-422/485 serial communications using the MEMOBUS/Modbus protocol by using an optional SI-485/J Interface for MEMOBUS communication. *Refer to Peripheral Devices & Options on page 165.* For details about the MEMOBUS/Modbus protocol, *Refer to MEMOBUS/Modbus Communications on page 209.*

**Note:** If the frequency reference source is set for MEMOBUS/Modbus but a communication interface option is not installed, an oPE05 Programming Error will be displayed on the digital operator and the RUN command will not be accepted.

### Setting 3: Potentiometer Option

Using this setting, the frequency reference can be set by a potentiometer mounted at the drive using an AI-V3/J Potentiometer option unit. *Refer to Peripheral Devices & Options on page 165* and the option unit documentation.

**Note:** If the frequency reference source is set for the potentiometer option (b1-01 = 3) but an option board is not installed, an oPE05 Programming Error will be displayed on the digital operator and the RUN command will not be accepted.

## ■ b1-02: Run Command Selection

Parameter b1-02 determines the Run and Stop command source in the REMOTE mode.

**WARNING!** *Sudden Movement Hazard. Clear personnel, secure equipment, and check sequence and safety circuitry before starting the drive. Failure to comply could result in death or serious injury from moving equipment.*




| No.   | Parameter Name        | Setting Range | Default |
|-------|-----------------------|---------------|---------|
| b1-02 | Run Command Selection | 0 to 2        | 1       |

### Setting 0: Digital Operator

Using this setting, the RUN and STOP keys on the operator keypad will start and stop the motor. The LED in the LO/RE key will be on to indicate that the Run command is assigned to the operator. The example below shows how the drive can be operated if b1-02 is set to 0.

| Step |  |   | Display/Result |
|------|--|---|----------------|
| 1.   | Turn on the power to the drive. The initial display appears.   | → |                |
| 2.   | Set the frequency reference to F6.00 (6 Hz).   | → |                |
| 3.   | Press the  key to start the motor. The RUN indicator LED will light and the motor will begin rotating at 6 Hz. | → |                |



| Step |   | Display/Result   |
|------|---|--|
| 4.   | Press the  key to stop the motor. The RUN light will flash until the motor comes to a complete stop. |  flashing →  off |

**Setting 1: Control Circuit Terminal**

This setting requires that the Run and Stop commands are entered from the digital input terminals. The following sequences can be used:

- 2-Wire sequence:

Two inputs (FWD/Stop-REV/Stop). Initializing the drive by setting A1-01 = 2220, presets the terminals S1 and S2 to these functions. This is the default setting of the drive. *Refer to Setting 40/41: Forward Run/Reverse Run Command for 2-Wire Sequence on page 103.*

- 3-Wire sequence:

Inputs S1, S2, S5 (Start-Stop-FWD/REV). Initialize the drive by setting A1-01 = 3330 presets the terminals S1, S2 and S5 to these functions. *Refer to Setting 0: 3-Wire Sequence on page 98.*

**Setting 2: MEMOBUS/Modbus Communications**

Using this setting, the Run command can be entered via RS-422/485 serial communications using the MEMOBUS/Modbus protocol and the optional SI-485/J Interface for MEMOBUS/Modbus communication. *Refer to Peripheral Devices & Options on page 165.* For details about the MEMOBUS/Modbus protocol, *Refer to MEMOBUS/Modbus Communications on page 209.*

**■ b1-03: Stopping Method Selection**

Select how the drive stops the motor when a Stop command is entered or when the Run command is removed.

| No.   | Parameter Name            | Setting Range | Default |
|-------|---------------------------|---------------|---------|
| b1-03 | Stopping Method Selection | 0, 1          | 0       |

**Setting 0: Ramp to Stop**

When a Stop command is issued or the Run command is removed, the drive will decelerate the motor to stop. The deceleration rate is determined by the active deceleration time. The default deceleration time is set to parameter C1-02.

DC Injection braking can be applied at the end of the ramp in order to completely stop high inertia loads. *Refer to b2: DC Injection Braking on page 83* for details.

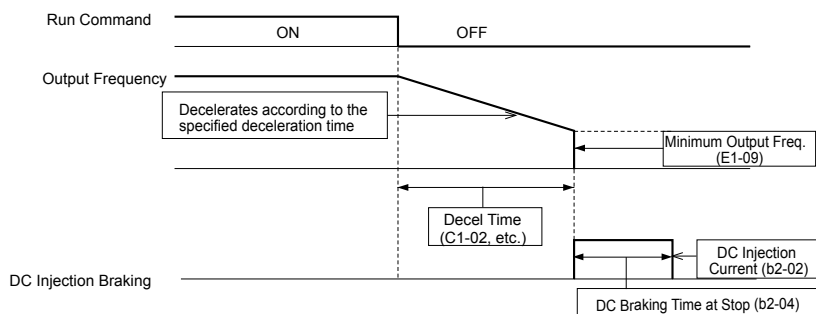


Figure 5.3 Ramp to Stop

**Setting 1: Coast to Stop**

When a Stop command is issued or the Run command is removed, the drive will shut off its output and the motor will coast (uncontrolled deceleration) to stop where the stopping time is determined by the inertia and the friction in the driven system.

## 5.2 b: Application

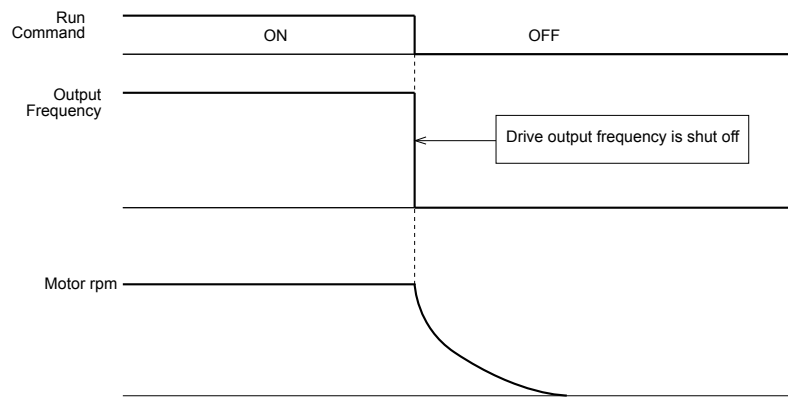


Figure 5.4 Coast to Stop

**Note:** After a stop is initiated, any subsequent Run command that is entered will be ignored for a certain time. Do not attempt to start the motor again until it has come to a complete stop. To start the motor before it has stopped completely, use DC Injection at start ([Refer to b2-03: DC Injection Braking Time at Start on page 83](#)).

### ■ b1-04: Reverse Operation Selection

For some applications, reverse motor rotation is not appropriate and may even cause problems (e.g., air handling units, pumps, etc.). Setting parameter b1-04 to 1 instructs the drive to ignore any Reverse run commands.

| No.   | Parameter Name              | Setting Range | Default |
|-------|-----------------------------|---------------|---------|
| b1-04 | Reverse Operation Selection | 0 or 1        | 0       |

#### Setting 0: Reverse Operation Enabled

Possible to operate the motor in both forward and reverse directions.

#### Setting 1: Reverse Operation Disabled

Drive disregards a Reverse run command or a negative frequency reference.

### ■ b1-07: LOCAL/REMOTE Run Selection

The drive has the following three separate control sources that can be switched using digital inputs or the LO/RE key on the digital operator (for details [Refer to Setting 1: LOCAL/REMOTE Selection on page 99](#) and [Refer to Setting 2: Serial Communication Reference Selection on page 99](#)):

- LOCAL - The digital operator is used to set the reference and the Run command.
- REMOTE - The settings of b1-01 and b1-02 determine where the frequency reference and Run command are input from.
- Serial Communications by MEMOBUS/Modbus.

When switching from LOCAL to REMOTE, or to serial communication, the Run command may already be present at the location the source was switched to. Parameter b1-07 can be used to determine how the Run command is treated in this case.

| No.   | Parameter Name             | Setting Range | Default |
|-------|----------------------------|---------------|---------|
| b1-07 | LOCAL/REMOTE Run Selection | 0 or 1        | 0       |

#### Setting 0: Run Command Must Be Cycled

If the Run command is issued differently in the old and new control source (e.g. old - terminals, new - serial communications) and it is active at the new source when switching takes place, the drive will either not start or it will stop if it was running before. The Run command has to be cycled to start from the new control source.

#### Setting 1: Continue Running

If the Run command is active at the new control source, the drive starts or continues running. There is no need to cycle the Run command.

**WARNING!** The drive may start unexpectedly if switching control sources when b1-07 = 1. Clear all personnel away from rotating machinery and electrical connections prior to switching control sources. Failure to comply may cause death or serious injury.

### ■ b1-08: Run Command Selection while in Programming Mode

As a safety precaution, the drive will not normally respond to a Run input when the digital operator is being used to adjust parameters in the Programming Mode (Verify Menu, Setup Mode, Parameter Settings Mode). If required by the application b1-08 can be used to change this functionality.

| No.   | Parameter Name                                  | Setting Range | Default |
|-------|---|---------------|---------|
| b1-08 | Run Command Selection while in Programming Mode | 0 to 2        | 0       |

**Setting 0: Disabled**

A Run command is not accepted while the digital operator is in Programming Mode.

**Setting 1: Enabled**

A Run command is accepted in any digital operator mode.

**Setting 2: Prohibit Programming During Run**

It is not possible to enter the Programming Mode as long as the drive output is active.

**■ b1-14: Phase Order Selection**

Sets the phase order for drive output terminals U/T1, V/T2, and W/T3.

| No.   | Parameter Name        | Setting Range | Default |
|-------|-----------------------|---------------|---------|
| b1-14 | Phase Order Selection | 0 or 1        | 0       |

**Setting 0: Standard Phase Order****Setting 1: Switched Phase Order****■ b1-17: Run Command at Power Up**

This parameter is used to determine whether an external Run command that is active during power up of the drive will start the drive or not.

| No.   | Parameter Name          | Setting Range | Default |
|-------|-------------------------|---------------|---------|
| b1-17 | Run Command at Power Up | 0 or 1        | 0       |

**Setting 0: Run Command at Power Up is not Issued**

The Run command has to be cycled to start the drive.

**Note:** For safety reasons, the drive is initially set up not to accept a Run command at power up (b1-17 = "0"). If a Run command is issued at power up, the RUN indicator LED will flash quickly. Change parameter b1-17 to 1 if a Run command active at power up shall be accepted by the drive.

**Setting 1: Run Command and Power Up is Issued**

An external Run command active during power up is issued and the drive starts to operate the motor as soon as it gets ready for operation (i.e. once the internal start up process is complete).

**WARNING!** Sudden Movement Hazard. If b1-17 is set to 1 and an external Run command is active during power up, the motor will begin rotating as soon as the power is switched on. Proper precautions must be taken to ensure that the area around the motor is safe prior to powering up the drive. Failure to comply may cause serious injury.

**◆ b2: DC Injection Braking**

These parameters determine how the DC Injection Braking feature operates. Parameters involving the starting frequency, current level, braking time are located here.

**■ b2-02: DC Injection Braking Current**

Sets the DC Injection Braking current as a percentage of the drive rated current. If set to larger than 50%, the carrier frequency is automatically reduced to 1 kHz.

| No.   | Name                         | Setting Range | Default |
|-------|------------------------------|---------------|---------|
| b2-02 | DC Injection Braking Current | 0 to 75%      | 50%     |

The level of DC Injection Braking current affects the strength of the magnetic field attempting to lock the motor shaft. Increasing the current level will increase the amount of heat generated by the motor windings. This parameter should only be increased to the level necessary to hold the motor shaft.

**■ b2-03: DC Injection Braking Time at Start**

Sets the time of DC Injection Braking at start. It can be used to stop a coasting motor before restarting it or to apply a braking torque at start. Disabled when set to 0.00 s.

## 5.2 b: Application

---

| No.   | Name                               | Setting Range   | Default |
|-------|------------------------------------|-----------------|---------|
| b2-03 | DC Injection Braking Time at Start | 0.00 to 10.00 s | 0.00 s  |

**Note:** Before starting an uncontrolled rotating motor (e.g., a fan motor driven by windmill effect), use DC Injection to stop the motor before starting it. Otherwise motor stalling and other faults can occur.

### ■ b2-04: DC Injection Braking Time at Stop

When the output frequency falls below the minimum output frequency setting E1-09, the drive applies DC injection for the time set in b2-04. Used to completely stop a motor with high inertia load after ramp down. Increase the setting if the motor tends to coast by inertia after a stop.

| No.   | Name                              | Setting Range   | Default |
|-------|-----------------------------------|-----------------|---------|
| b2-04 | DC Injection Braking Time at Stop | 0.00 to 10.00 s | 0.50 s  |

## 5.3 C: Tuning

C parameters are used to set the acceleration and deceleration characteristics, as well as S-curves. Other parameters in this group cover settings for slip compensation, torque compensation, and carrier frequency.

### ◆ C1: Acceleration and Deceleration Times

#### ■ C1-01 to C1-04: Accel/Decel Times 1 and 2

Two sets of acceleration and deceleration times can be set in the drive. They can be selected by a digital input. Acceleration time parameters always set the time to accelerate from 0 to the maximum output frequency (E1-04). Deceleration time parameters always set the time to decelerate from maximum output frequency to 0. C1-01 and C1-02 are the default active accel/decel settings.

| No.   | Parameter Name      | Setting Range   | Default |
|-------|---------------------|-----------------|---------|
| C1-01 | Acceleration Time 1 | 0.0 to 6000.0 s | 10.0 s  |
| C1-02 | Deceleration Time 1 |                 |         |
| C1-03 | Acceleration Time 2 |                 |         |
| C1-04 | Deceleration Time 2 |                 |         |

#### Switching Acceleration Times by Digital Input

Accel/decel times 1 are active by default if no input is set. The accel/decel time 2 can be activated by a digital input (H1-□□ = 7) as explained in [Table 5.5](#).

Table 5.5 Accel/Decel Time Selection by Digital Input

| Accel/Decel Time Sel. H1-□□ = 7 | Active Times |              |
|---------------------------------|--------------|--------------|
|                                 | Acceleration | Deceleration |
| 0                               | C1-01        | C1-02        |
| 1                               | C1-03        | C1-04        |

[Figure 5.5](#) shows an operation example for changing accel/decel. times. The example below requires that the stopping method be set for "Ramp to Stop" (b1-03 = 0).

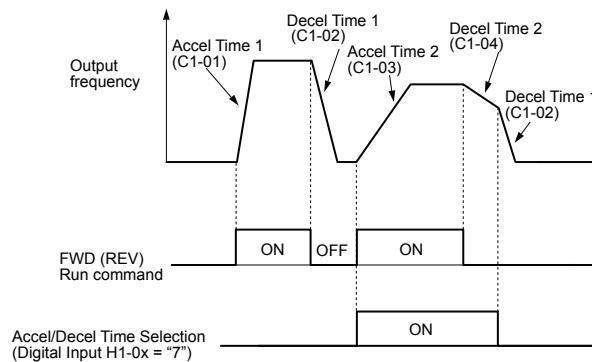


Figure 5.5 Timing Diagram of Accel/Decel Time Change

#### ■ C1-09: Fast-stop Time

Parameter C1-09 will set a special deceleration that is used when certain faults occur or that can be operated by closing a digital input configured as H1-□□ = 15 (N.O. input) or H1-□□ = 17 (N.C. input). The input does not have to be closed continuously, even a momentary closure will trigger the Fast-stop operation.

Unlike standard deceleration, once the Fast-stop operation is initiated, the drive cannot be restarted until the deceleration is complete, the Fast-stop input is cleared, and the Run command is cycled.

A digital output programmed for "During Fast-stop" (H2-01/02/03 = 4C) will be closed as long as Fast-stop is active.

| No.   | Parameter Name | Setting Range   | Default |
|-------|----------------|-----------------|---------|
| C1-09 | Fast-stop Time | 0.0 to 6000.0 s | 10.0 s  |

## 5.3 C: Tuning

**NOTICE:** Rapid deceleration can trigger an overvoltage fault. When faulted, the drive output shuts off, and the motor coasts. To avoid this uncontrolled motor state and to ensure that the motor stops quickly and safely, set an appropriate Fast-stop time to C1-09.

### ◆ C2: S-Curve Characteristics

Use S-curve characteristics to smooth acceleration and deceleration and to minimize abrupt shock to the load.

#### ■ C2-01 to C2-04: S-Curve Characteristics

C2-01 through C2-04 set separate S-curves for each section of the acceleration or deceleration.

| No.   | Parameter Name                        | Setting Range   | Default |
|-------|---------------------------------------|-----------------|---------|
| C2-01 | S-Curve Characteristic at Accel Start | 0.00 to 10.00 s | 0.20 s  |
| C2-02 | S-Curve Characteristic at Accel End   |                 | 0.20 s  |
| C2-03 | S-Curve Characteristic at Decel Start |                 | 0.20 s  |
| C2-04 | S-Curve Characteristic at Decel End   |                 | 0.00 s  |

Figure 5.6 explains how S-curves are applied.

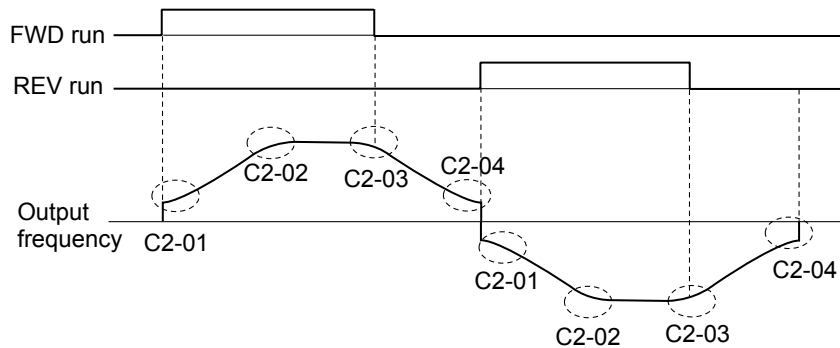


Figure 5.6 S-Curve Timing Diagram - FWD/REV Operation

Setting the S-curve will increase the acceleration and deceleration times.

Actual accel time = accel time setting + (C2-01 + C2-02)/2

Actual decel time = decel time setting + (C2-03 + C2-04)/2

### ◆ C3: Slip Compensation

The Slip Compensation function prevents motor speed loss due to an increase in load.

**Note:** Before making changes to the Slip Compensation parameters, make sure the motor parameters and V/f pattern are set properly.

#### ■ C3-01: Slip Compensation Gain

This parameter sets the gain for the motor slip compensation function. Although this parameter rarely needs to be changed, adjustments might be needed under the following situations:

- If the speed at constant frequency reference is lower than the frequency reference, increase C3-01.
- If the speed at constant frequency reference is higher than the frequency reference, decrease C3-01.

| No.   | Parameter Name         | Setting Range | Default |
|-------|------------------------|---------------|---------|
| C3-01 | Slip Compensation Gain | 0.0 to 2.5    | 0.0     |

#### ■ C3-02: Slip Compensation Primary Delay Time

Adjusts the filter on the output of the slip compensation function. Although this parameter rarely needs to be changed, adjustments might be needed under the following situations:

- Decrease the setting when the slip compensation response is too slow.
- Increase this setting when the speed is not stable.

| No.   | Parameter Name                       | Setting Range | Default |
|-------|--------------------------------------|---------------|---------|
| C3-02 | Slip Compensation Primary Delay Time | 0 to 10000 ms | 2000 ms |

## ◆ C4: Torque Compensation

The torque compensation function compensates for insufficient torque production at start-up or when a load is applied.

**Note:** Before making changes to the torque compensation gain make sure the motor parameters and V/f pattern are set properly.

### ■ C4-01: Torque Compensation Gain

Sets the gain for the torque compensation function.

| No.   | Parameter Name           | Setting Range | Default |
|-------|--------------------------|---------------|---------|
| C4-01 | Torque Compensation Gain | 0.00 to 2.50  | 1.00    |

The drive calculates the motor primary voltage loss using the output current and the terminal resistance value (E2-05) and then adjusts the output voltage to compensate insufficient torque at start or when load is applied. The effect of this voltage compensation can be increased or decreased using parameter C4-01.

#### Adjustment

Although this parameter rarely needs to be adjusted, small changes in increments of 0.05 may help in the following situations:

- Increase this setting when using a long motor cable.
- Decrease this setting when motor oscillation occurs.

Adjust C4-01 so that the output current does not exceed the drive rated current.

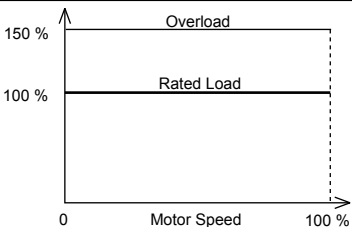
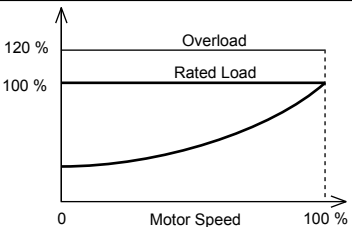
## ◆ C6: Carrier Frequency

### ■ C6-01: Drive Duty Selection

The drive has two different duty modes from which to select based on the load characteristics. The drive rated current, overload capacity, and carrier frequency will change depending upon the duty mode selection. Use parameter C6-01 to select Heavy Duty (HD) or Normal Duty (ND) for the application. [Refer to Specifications on page 181](#) for details about the rated current.

| No.   | Parameter Name       | Setting Range | Default |
|-------|----------------------|---------------|---------|
| C6-01 | Drive Duty Selection | 0 or 1        | 1       |

**Table 5.6 Differences between Heavy and Normal Duty**

| Mode                                       | Heavy Duty Rating (HD)   | Normal Duty Rating (ND)   |
|--|--|---|
| C6-01                                      | 0  | 1   |
| Characteristics                            |   |    |
| Application                                | Use Heavy Duty Rating for applications requiring a high overload tolerance with constant load torque. Such applications include extruders and conveyors. | Use Normal Duty Rating for applications in which the torque requirements drop along with the speed. Examples include fans or pumps where a high overload tolerance is not required. |
| Over load capability (oL2)                 | 150% of drive rated Heavy Duty current for 60 s  | 120% of drive rated Normal Duty current for 60 s  |
| L3-02 Stall Prevention during Acceleration | 150%   | 120%  |
| L3-06 Stall Prevention during Run          | 150%   | 120%  |
| Default Carrier Frequency                  | 8/10 kHz   | 2 kHz Swing PWM   |

**Note:** By changing the Duty Mode the drive maximum applicable motor power changes and the E2-□□ parameters are automatically set to appropriate values.

## 5.3 C: Tuning

### ■ C6-02: Carrier Frequency Selection

Parameter C6-02 sets the switching frequency of the drive's output transistors. It can be changed in order to reduce audible noise and also reduce leakage current.

**Note:** The drive rated current is reduced when the carrier frequency is set higher than the default value. *Refer to Rated Current Depending on Carrier Frequency on page 89.*

| No.   | Parameter Name              | Setting Range | Default  |
|-------|-----------------------------|---------------|--|
| C6-02 | Carrier Frequency Selection | 1 to 7, F     | Determined by o2-04.<br>Reset when C6-01 is changed. |

#### Settings:

| C6-02 | Carrier Frequency | C6-02 | Carrier Frequency             |
|-------|-------------------|-------|-------------------------------|
| 1     | 2.0 kHz           | 5     | 12.5 kHz                      |
| 2     | 5.0 kHz           | 6     | 15.0 kHz                      |
| 3     | 8.0 kHz           | 7     | Swing PWM                     |
| 4     | 10.0 kHz          | F     | User defined (C6-03 to C6-05) |

**Note:** Swing PWM uses 2.0 kHz carrier frequency as a base but by applying special PWM patterns the audible noise of the motor is kept low.

#### Guidelines for Carrier Frequency Parameter Setup

| Symptom   | Remedy   |
|---|--|
| Speed and torque are unstable at low speeds.          | Lower the carrier frequency.                         |
| Noise from the drive is affecting peripheral devices. |  |
| Excessive leakage current from the drive.             |  |
| Wiring between the drive and motor is too long. <1>   |  |
| Audible motor noise is too loud.                      | Increase the carrier frequency or use Swing PWM. <2> |

<1> The carrier frequency may need to be lowered if the motor cable is too long. Refer to the table below.

<2> In Normal Duty default setting is 7 (Swing PWM), equivalent to setting 2 kHz. Increasing the carrier frequency is fine when using the drive is set for Normal Duty, but remember that the drive rated current falls when the carrier frequency is increased.

| Wiring Distance                     | Up to 50 m      | Up to 100 m     | Greater than 100 m |
|-------------------------------------|-----------------|-----------------|--------------------|
| C6-02 (Carrier Frequency Selection) | 1 to F (15 kHz) | 1, 2 (5 kHz), 7 | 1 (2 kHz), 7       |

### ■ C6-03/C6-04/C6-05: Carrier Frequency Upper Limit/Lower Limit/Proportional Gain

Use these parameters to set a user defined or a variable carrier frequency. To set the upper and lower limits, first set C6-02 to "F".

| No.   | Parameter Name                      | Setting Range   | Default |
|-------|-------------------------------------|-----------------|---------|
| C6-03 | Carrier Frequency Upper Limit       | 1.0 to 15.0 kHz | <1>     |
| C6-04 | Carrier Frequency Lower Limit       | 1.0 to 15.0 kHz |         |
| C6-05 | Carrier Frequency Proportional Gain | 0 to 99         |         |

<1> The default value is determined by the drive capacity (o2-04), and is reinitialized when the value set to C6-01 is changed.

#### Setting a Fixed User Defined Carrier Frequency

A carrier frequency between the fixed selectable values can be entered in parameter C6-03 when C6-02 is set to "F". Parameter C6-04 must also be adjusted to the same value as C6-03.

#### Setting a Variable Carrier Frequency

The carrier frequency can be set up to change linearly with the output frequency. In this case the upper and lower limits for the carrier frequency and the carrier frequency proportional gain (C6-03, C6-04, C6-05) have to be set as shown in *Figure 5.7*.



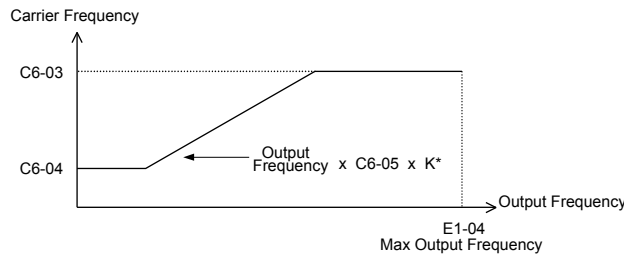


Figure 5.7 Carrier Frequency Changes Relative to Output Frequency

K is a coefficient determined by the value of C6-03:

- 10.0 kHz > C6-03 ≥ to 5.0 kHz: K = 2
- 5.0 kHz > C6-03: K = 1
- C6-03 ≥ 10.0 kHz: K = 3

- Note:**
1. A carrier frequency error (oPE11) will occur when the carrier frequency proportional gain is greater than 6 while C6-03 is less than C6-04.
  2. When C6-05 is set lower than 7, C6-04 is disabled and the carrier frequency will be fixed to the value set in C6-03.

### Rated Current Depending on Carrier Frequency

The tables below show the drive output current depending on the carrier frequency settings. The 2 kHz value is equal to the Normal Duty rated current, the 8/10 kHz value is equal to the Heavy Duty rated current. The carrier frequency determines the output current linearly. Use the data below to calculate output current values for carrier frequencies not listed in the tables.

**Note:** In Heavy Duty mode the maximum rated output current is equal to the 8/10 kHz value, even if the carrier frequency is reduced.

Table 5.7 Drives with Heavy Duty Default Carrier Frequency of 10 kHz

| 200 V Single Phase Units |                   |        |        | 200 V Three Phase Units |                   |        |        |
|--------------------------|-------------------|--------|--------|-------------------------|-------------------|--------|--------|
| Model J□                 | Rated Current [A] |        |        | Model J□                | Rated Current [A] |        |        |
|                          | 2 kHz             | 10 kHz | 15 kHz |                         | 2 kHz             | 10 kHz | 15 kHz |
| BA0001                   | 1.2               | 0.8    | 0.6    | 2A0001                  | 1.2               | 0.8    | 0.6    |
| BA0002                   | 1.9               | 1.6    | 1.3    | 2A0002                  | 1.9               | 1.6    | 1.3    |
| BA0003                   | 3.5               | 3.0    | 2.4    | 2A0004                  | 3.5               | 3.0    | 2.4    |
| BA0006                   | 6.0               | 5.0    | 4.0    | 2A0006                  | 6.0               | 5.0    | 4.0    |

Table 5.8 Drives with Heavy Duty Default Carrier Frequency of 8 kHz

| 200 V Single Phase Units |                   |       |        | 200 V Three Phase Units |                   |       |        | 400 V Three Phase Units |                   |       |        |
|--------------------------|-------------------|-------|--------|-------------------------|-------------------|-------|--------|-------------------------|-------------------|-------|--------|
| Model J□                 | Rated Current [A] |       |        | Model J□                | Rated Current [A] |       |        | Model J□                | Rated Current [A] |       |        |
|                          | 2 kHz             | 8 kHz | 15 kHz |                         | 2 kHz             | 8 kHz | 15 kHz |                         | 2 kHz             | 8 kHz | 15 kHz |
| BA0010                   | 9.6               | 8.0   | 6.4    | —                       | —                 | —     | —      | 4A0001                  | 1.2               | 1.2   | 0.7    |
| —                        | —                 | —     | —      | 2A0010                  | 9.6               | 8.0   | 6.4    | 4A0002                  | 2.1               | 1.8   | 1.1    |
| —                        | —                 | —     | —      | 2A0012                  | 12.0              | 11.0  | 8.8    | 4A0004                  | 4.1               | 3.4   | 2.0    |
| —                        | —                 | —     | —      | —                       | —                 | —     | —      | 4A0005                  | 5.4               | 4.8   | 2.9    |
| —                        | —                 | —     | —      | 2A0020                  | 19.6              | 17.5  | 14.0   | 4A0007                  | 6.9               | 5.5   | 3.3    |
| —                        | —                 | —     | —      | —                       | —                 | —     | —      | 4A0009                  | 8.8               | 7.2   | 4.3    |
| —                        | —                 | —     | —      | —                       | —                 | —     | —      | 4A0011                  | 11.1              | 9.2   | 5.5    |

## 5.4 d: Reference Settings

The drive offers various ways of entering the frequency reference. The figure below gives an overview of the reference input, selections, and priorities.

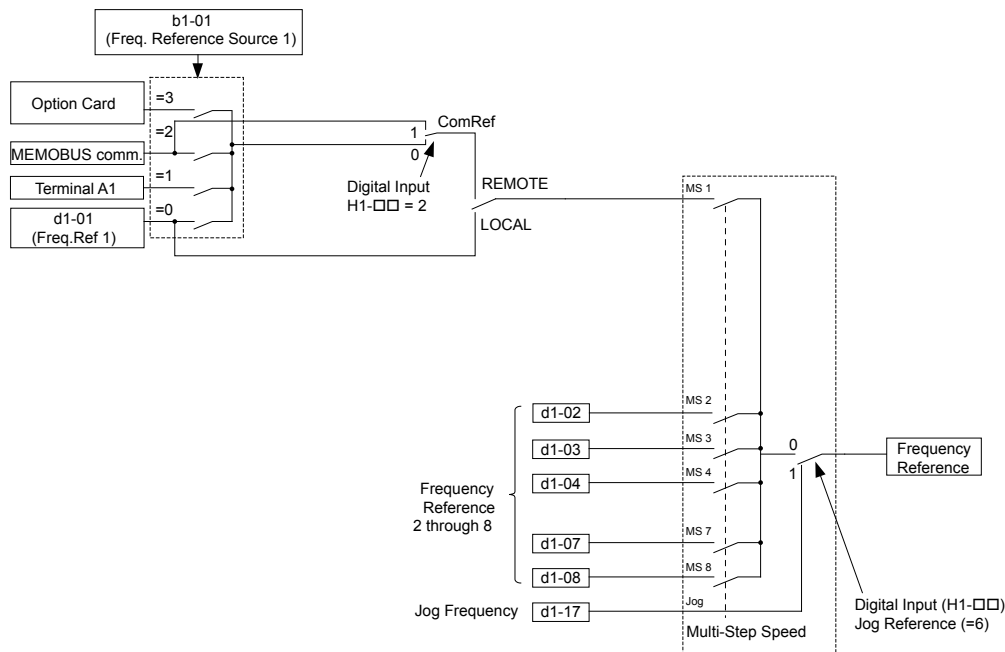


Figure 5.8 Frequency Reference Setting Hierarchy

### ◆ d1: Frequency Reference

#### ■ d1-01 to d1-08, d1-17: Frequency Reference 1 to 8 and Jog Reference

Up to 9 preset references (including Jog reference) can be programmed in the drive. The references can be switched during Run by digital inputs. The acceleration/deceleration to the new reference is performed using the active acceleration/deceleration time.

The Jog frequency must be selected by a separate digital input and has priority over the references 1 to 8.

Multi-speed reference 1 can be provided by analog input A1.

| No.            | Parameter Name             | Setting Range         | Default |
|----------------|----------------------------|-----------------------|---------|
| d1-01 to d1-08 | Frequency Reference 1 to 8 | 0.00 to 400.00 Hz <1> | 0.00 Hz |
| d1-17          | Jog Frequency Reference    | 0.00 to 400.00 Hz <1> | 6.00 Hz |

<1> The upper limit is determined by the maximum output frequency (E1-04) and upper limit for the frequency reference (d2-01).

#### Multi-Step Speed Selection

Depending on how many speeds are used, some digital inputs have to be programmed for Multi-Step Speed Reference 1, 2, 3 and 4 (H1-□□ = 3, 4, 5). For the Jog reference a digital input must be set to H1-□□ = 6.

Notes on using analog inputs as multi-speed 1 and 2:

- If the frequency reference source is assigned to analog input A1 (b1-01 = 1), then this input will be used for Frequency Reference 1 instead of d1-01. If the reference source is assigned to the digital operator (b1-01 = 0), then d1-01 will be used as Frequency Reference 1.

The different speed references can be selected as shown in [Table 5.9](#). [Figure 5.9](#) illustrates the multi-step speed selection.

Table 5.9 Multi-Step Speed Reference and Terminal Switch Combinations

| Reference                           | Multi-Step Speed<br>H1-□□ = 3 | Multi-Step Speed 2<br>H1-□□ = 4 | Multi-Step Speed 3<br>H1-□□ = 5 | Jog Reference<br>H1-□□ = 6 |
|-------------------------------------|-------------------------------|---------------------------------|---------------------------------|----------------------------|
| Frequency Reference 1 (d1-01/A1)    | OFF                           | OFF                             | OFF                             | OFF                        |
| Frequency Reference 2 (d1-02)       | ON                            | OFF                             | OFF                             | OFF                        |
| Frequency Reference 3 (d1-03)       | OFF                           | ON                              | OFF                             | OFF                        |
| Frequency Reference 4 (d1-04)       | ON                            | ON                              | OFF                             | OFF                        |
| Frequency Reference 5 (d1-05)       | OFF                           | OFF                             | ON                              | OFF                        |
| Frequency Reference 6 (d1-06)       | ON                            | OFF                             | ON                              | OFF                        |
| Frequency Reference 7 (d1-07)       | OFF                           | ON                              | ON                              | OFF                        |
| Frequency Reference 8 (d1-08)       | ON                            | ON                              | ON                              | OFF                        |
| Jog Frequency Reference (d1-17) </> | –                             | –                               | –                               | ON                         |

</> The Jog frequency overrides the frequency reference being used.

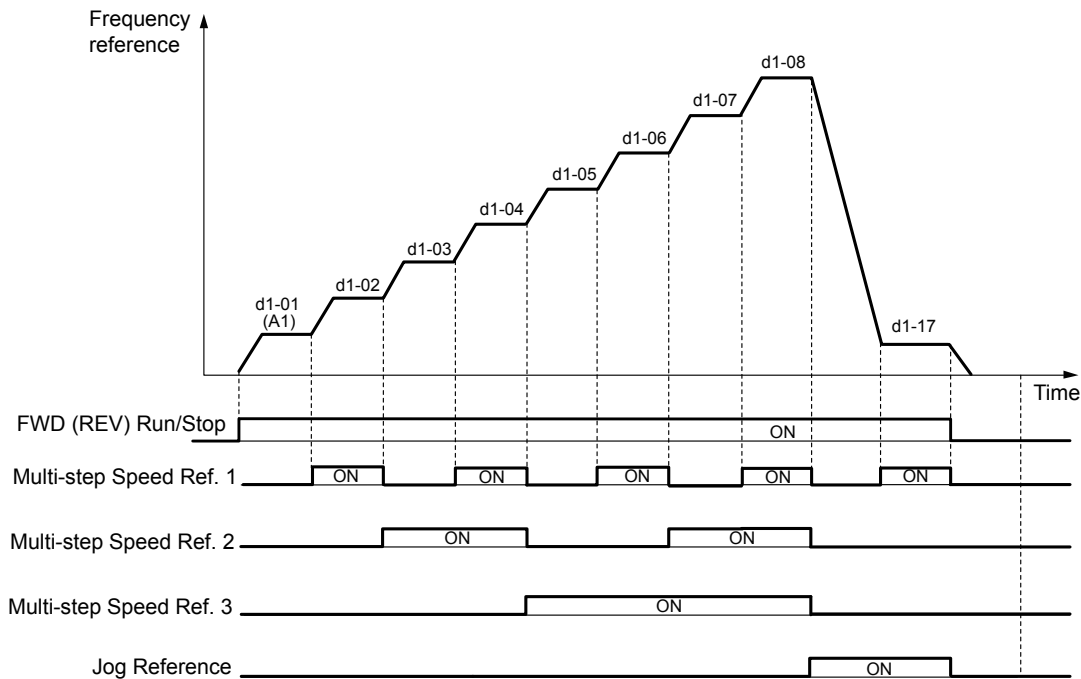


Figure 5.9 Preset Reference Timing Diagram

## ◆ d2: Frequency Upper/Lower Limits

By entering upper or lower frequency limits, the drive programmer can prevent operation of the drive above or below levels that may cause resonance and/or equipment damage.

### ■ d2-01: Frequency Reference Upper Limit

Sets the maximum frequency reference as a percentage of the maximum output frequency. This limit applies to all frequency references.

Even if the frequency reference is set to a higher value, the drive internal frequency reference will not exceed this value.

| No.   | Parameter Name                  | Setting Range | Default |
|-------|---------------------------------|---------------|---------|
| d2-01 | Frequency Reference Upper Limit | 0.0 to 110.0% | 100.0%  |

### ■ d2-02: Frequency Reference Lower Limit

Sets the minimum frequency reference as a percentage of the maximum output frequency. This limit applies to all frequency references.

If a lower reference than this value is input, the drive will run at the d2-02 level. If the drive is started with a lower reference than d2-02, it will accelerate up to d2-02.

## 5.4 d: Reference Settings

| No.   | Parameter Name                  | Setting Range | Default |
|-------|---------------------------------|---------------|---------|
| d2-02 | Frequency Reference Lower Limit | 0.0 to 110.0% | 0.0%    |

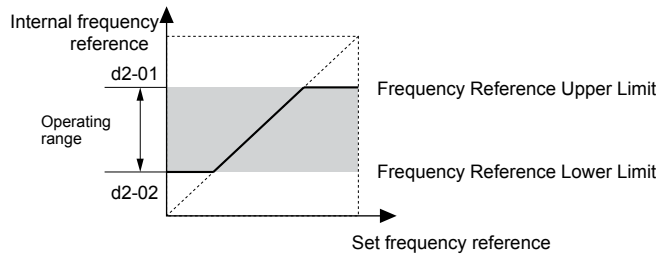


Figure 5.10 Frequency Reference: Upper and Lower Limits

## ◆ d3: Jump Frequency

### ■ d3-01, d3-02, d3-04: Jump Frequencies 1, 2, and Jump Frequency Width

In order to avoid continuous operation at a speed that causes resonance in driven machinery, the drive can be programmed with three separate Jump frequencies that will not allow continued operation within specific frequency ranges. If the speed reference falls within a Jump frequency dead band, the drive will clamp the frequency reference just below the dead band and only accelerate past it when the frequency reference rises above the upper end of the dead band.

Setting parameters d3-01 and d3-02 to 0.0 Hz disables the Jump frequency function.

| No.   | Parameter Name       | Setting Range   | Default |
|-------|----------------------|-----------------|---------|
| d3-01 | Jump Frequency 1     | 0.0 to 400.0 Hz | 0.0 Hz  |
| d3-02 | Jump Frequency 2     | 0.0 to 400.0 Hz | 0.0 Hz  |
| d3-04 | Jump Frequency Width | 0.0 to 20.0 Hz  | 1.0 Hz  |

Figure 5.11 shows the relationship between the Jump frequency and the output frequency.

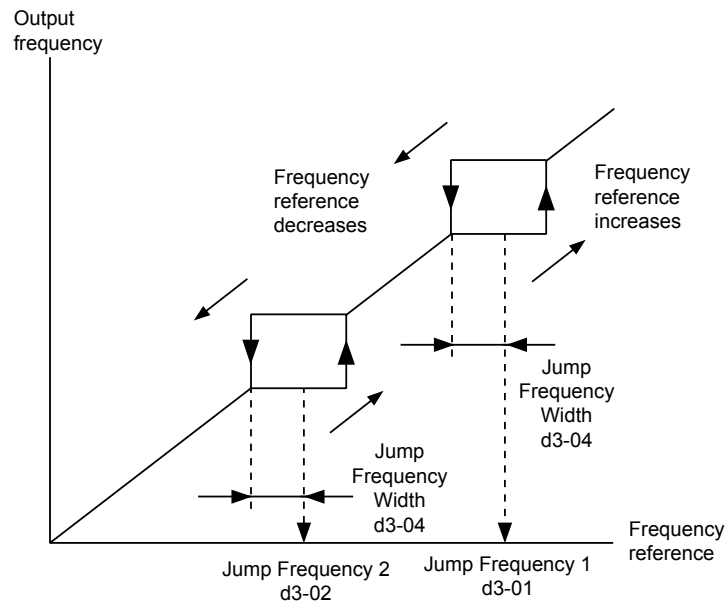


Figure 5.11 Jump Frequency Operation

- Note:**
1. The drive will use the active accel/decel time to pass through the specified dead band range but will not allow continuous operation in that range.
  2. When using more than one Jump frequency, make sure that  $d3-01 \geq d3-02$ .

## ◆ d4: Frequency Hold Function

### ■ d4-01: Frequency Reference Hold Function Selection

This parameter is effective when either of the digital input functions listed below is used.

- Accel/decel ramp hold function (H1-□□ = A)
- Up/Down function (H1-□□ = 10 and 11, sets the frequency reference by digital inputs)

Parameter d4-01 determines whether the frequency reference value is saved when the Run command is cleared or the power supply is shut down.

| No.   | Parameter Name                              | Setting Range | Default |
|-------|---|---------------|---------|
| d4-01 | Frequency Reference Hold Function Selection | 0 or 1        | 0       |

The operation depends on with what function parameter d4-01 is used.

#### Setting 0: Disabled

- Acceleration Hold

The hold value will be reset to 0 Hz when the Run command is canceled or the drive power is switched off. The active frequency reference will be the value the drive uses when it restarts.

- Up/Down

The frequency reference value will be reset to 0 Hz when the Run command is canceled or the drive power is switched off. The drive will start from 0 Hz when restarted.

#### Setting 1: Enabled

- Acceleration Hold

The last hold value will be saved when the Run command or the drive power is switched off. The drive will use the value that was saved as the frequency reference when it restarts. The accel/decel hold input must be enabled the entire time or else the hold value will be cleared.

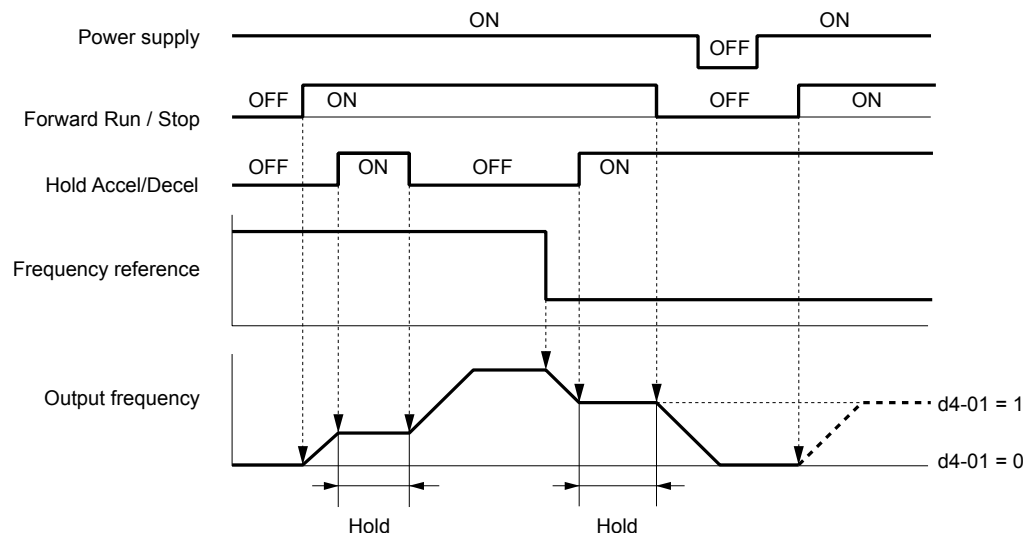


Figure 5.12 Frequency Reference Hold with Accel/Decel Hold Function

- Up/Down

The frequency reference value will be saved when the Run command or the drive power is switched off. The drive will use the frequency reference that was saved when it restarts.

#### Clearing the Value that was Saved

Depending on which function is used, the frequency reference value that was saved can be cleared by:

- Releasing the acceleration hold input.
- Setting an Up or Down command while no Run command is active.

## 5.5 E: Motor Parameters

E parameters cover V/f pattern and motor data settings.

### ◆ E1: V/f Characteristics

#### ■ E1-01: Input Voltage Setting

Set the input voltage parameter to the nominal voltage of the AC power supply. This parameter adjusts the levels of some protective features of the drive (overvoltage, Stall Prevention, etc.).

**NOTICE:** Set parameter E1-01 to match the input voltage of the drive. Drive input voltage (not motor voltage) must be set in E1-01 for the protective features of the drive to function properly. Failure to comply could result in improper drive operation.

| No.       | Parameter Name        | Setting Range | Default |
|-----------|-----------------------|---------------|---------|
| E1-01 <I> | Input Voltage Setting | 155 to 255 V  | 230 V   |

<I> The setting range and default value shown here are for 200 V class drives. Double this for 400 V class units.

#### E1-01 Related Values

The input voltage setting determines the over-/undervoltage detection level and the operation levels of the braking transistor.

| Voltage     | Setting Value of E1-01 | (Approximate Values) |                     |                                 |
|-------------|------------------------|----------------------|---------------------|---------------------------------|
|             |                        | ov Detection Level   | BTR Operation Level | Uv Detection Level              |
| 200 V Class | All settings           | 410 V                | 394 V               | 190 V<br>(single-phase = 160 V) |
| 400 V Class | Setting ≥ 400 V        | 820 V                | 788 V               | 380 V                           |
|             | Setting < 400 V        | 740 V                | 708 V               | 350 V                           |

**Note:** The braking transistor operation levels are valid for the drive internal braking transistor. If an external CDBR braking chopper is used, refer to the instruction manual of that unit.

#### ■ V/f Pattern Settings

The drive utilizes a set V/f pattern to determine the appropriate output voltage level for each relative to the frequency reference.

#### V/f Pattern Setup for V/f Control

1. Set the input voltage for the drive. Refer to E1-01: Input Voltage Setting on page 195.
2. Set the V/f pattern. Refer to V/f Pattern Settings E1-04 to E1-10 on page 195.

#### ■ V/f Pattern Setting Examples

This section provides examples of how to set a V/f pattern using E1-04 to E1-10.

Table 5.10 V/f Pattern Examples

| Example | Specification               | Characteristic       | Application   |
|---------|-----------------------------|----------------------|---|
| A       | 50 Hz                       | Constant torque      | For general purpose applications. Torque remains constant regardless of changes to speed.   |
| B       | 60 Hz (default setting)     |                      |   |
| C       | 60 Hz (with 50 Hz base)     |                      |   |
| D       | 72 Hz (with 60 Hz base)     |                      |   |
| E       | 50 Hz, Heavy Duty 2         | Derated torque       | For fans, pumps, and other applications that require torque derating relative to the load.  |
| F       | 50 Hz, Heavy Duty 1         |                      |   |
| G       | 60 Hz, Heavy Duty 1         |                      |   |
| H       | 60 Hz, Heavy Duty 2         |                      |   |
| I       | 50 Hz, mid starting torque  | High starting torque | Select high starting torque when: <ul style="list-style-type: none"> <li>• Wiring between the drive and motor exceeds 150 m</li> <li>• A large amount of starting torque is required</li> <li>• An AC reactor is installed</li> </ul> |
| J       | 50 Hz, high starting torque |                      |   |
| K       | 60 Hz, mid starting torque  |                      |   |
| L       | 60 Hz, high starting torque |                      |   |
| M       | 90 Hz (with 60 Hz base)     | Constant output      | When operating at greater than 60 Hz the output voltage will be constant.   |
| N       | 120 Hz (with 60 Hz base)    |                      |   |
| O       | 180 Hz (with 60 Hz base)    |                      |   |

The following tables show details on V/f patterns.

The following graphs are for 200 V class drives. Double the values when using a 400 V class drive.

V/f Pattern Examples

Table 5.11 Constant Torque Characteristics, Examples A to D

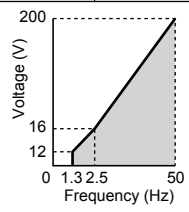
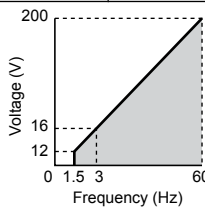
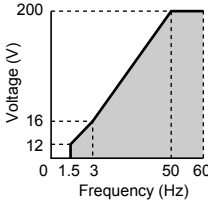
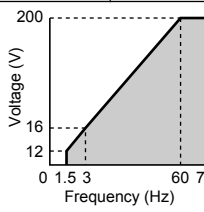
| Example A   | 50 Hz | Example B   | 60 Hz (default) | Example C  | 60 Hz | Example D   | 72 Hz |
|---|-------|---|-----------------|--|-------|---|-------|
|  |       |  |                 |  |       |  |       |

Table 5.12 Derated Torque Characteristics, Examples E to H

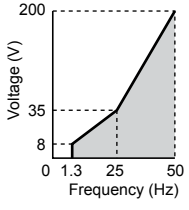
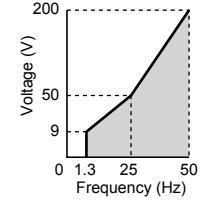
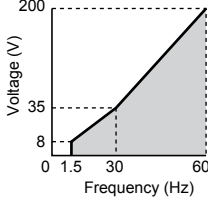
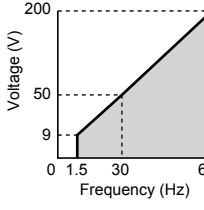
| Example E   | 50 Hz | Example F   | 50 Hz | Example G  | 60 Hz | Example H   | 60 Hz |
|---|-------|---|-------|--|-------|---|-------|
|  |       |  |       |  |       |  |       |

Table 5.13 High Starting Torque, Examples I to L

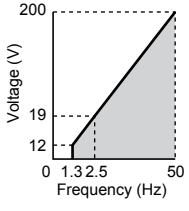
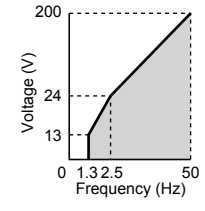
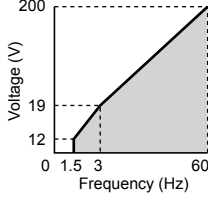
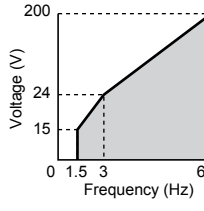
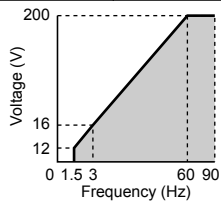
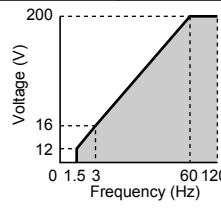
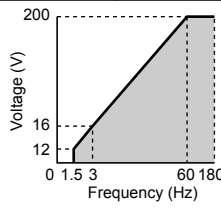
| Example I  | 50 Hz | Example J  | 50 Hz | Example K   | 60 Hz | Example L  | 60 Hz |
|--|-------|--|-------|---|-------|--|-------|
|  |       |  |       |  |       |  |       |

Table 5.14 Rated Output Operation, Examples M to O

| Example M   | 90 Hz | Example N   | 120 Hz | Example O   | 180 Hz |
|---|-------|---|--------|---|--------|
|  |       |  |        |  |        |

## 5.5 E: Motor Parameters

### ■ V/f Pattern Settings E1-04 to E1-10

Set up the V/f pattern as shown in *Figure 5.13*.

| No.   | Parameter Name                   | Setting Range      | Default |
|-------|----------------------------------|--------------------|---------|
| E1-04 | Maximum Output Frequency         | 40.0 to 400.0 Hz   | 60 Hz   |
| E1-05 | Maximum Voltage                  | 0.0 to 255.0 V <1> | 230 V   |
| E1-06 | Base Frequency                   | 0.0 to 400.0 Hz    | 60 Hz   |
| E1-07 | Middle Output Frequency          | 0.0 to 400.0 Hz    | 3.0 Hz  |
| E1-08 | Middle Output Frequency Voltage  | 0.0 to 255.0 V <1> | 18.4 V  |
| E1-09 | Minimum Output Frequency         | 0.0 to 400.0 Hz    | 1.5 Hz  |
| E1-10 | Minimum Output Frequency Voltage | 0.0 to 255.0 V <1> | 13.8 V  |

<1> Values shown here are for 200 V class drives; double the values for 400 V class drives.

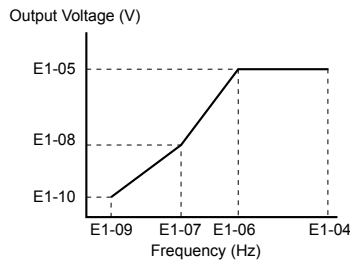


Figure 5.13 V/f Pattern

- Note:**
1. The following condition must be true when setting up the V/f pattern:  $E1-09 \leq E1-07 < E1-06 \leq E1-04$
  2. To make the V/f pattern a straight line set  $E1-09 = E1-07$ . In this case the  $E1-08$  setting is disregarded.
  3.  $E1-03$  is unaffected when the drive is initialized using parameter  $A1-03$ , but the settings for  $E1-04$  through  $E1-10$  are returned to their default values.

### ◆ E2: Motor 1 Parameters

These parameters contain the most important motor data needed for optimal motor control.

#### ■ E2-01: Motor Rated Current

Set E2-01 to the full load amps (FLA) stamped on the motor nameplate.

| No.   | Parameter Name      | Setting Range   | Default            |
|-------|---------------------|---|--------------------|
| E2-01 | Motor Rated Current | 10% to 200% of the drive rated current.<br>(unit: 0.01 A) | Depending on o2-04 |

**Note:** Change E2-01 after changing the value set to E2-03. Setting  $E2-01 < E2-03$  will trigger an oPE02 error.

#### ■ E2-02: Motor Rated Slip

Sets the motor rated slip in Hz.

| No.   | Parameter Name   | Setting Range    | Default            |
|-------|------------------|------------------|--------------------|
| E2-02 | Motor Rated Slip | 0.00 to 20.00 Hz | Depending on o2-04 |

Calculate the motor rated slip using the information written on the motor nameplate and the formula below:

$$E2-02 = f - (n \times p) / 120$$

(f: rated frequency (Hz), n: rated motor speed (r/min), p: number of motor poles)

#### ■ E2-03: Motor No-Load Current

Set E2-03 to the motor no-load current at rated voltage and rated frequency. Contact the motor manufacturer for information about the no-load current.



| No.   | Parameter Name        | Setting Range                  | Default               |
|-------|-----------------------|--------------------------------|-----------------------|
| E2-03 | Motor No-Load Current | 0 to [E2-01]<br>(unit: 0.01 A) | Depending on<br>o2-04 |

### ■ E2-05: Motor Line-to-Line Resistance

Sets the line-to-line resistance of the motor stator winding. Remember this value must be entered as line-line and not line-neutral.

| No.   | Parameter Name                | Setting Range            | Default               |
|-------|-------------------------------|--------------------------|-----------------------|
| E2-05 | Motor Line-to-Line Resistance | 0.000 to 65.000 $\Omega$ | Depending on<br>o2-04 |

**Note:** The setting range becomes 0.00 to 130.00 when using J□BA0002, J□2A0002, J□4A0001 and smaller.

Contact the motor manufacturer to find out the line-to-line resistance or measure it manually. When using the manufacturer Motor Test Report, calculate E2-05 by the formulas below.

- E-type insulation: Multiply 0.92 times the resistance value ( $\Omega$ ) listed on the Test Report at 75 °C
- B-type insulation: Multiply 0.92 times the resistance value ( $\Omega$ ) listed on the Test Report at 75 °C.
- F-type insulation: Multiply 0.87 times the resistance value ( $\Omega$ ) listed on the Test Report at 115 °C.

## 5.6 H: Terminal Functions

H parameters are used to assign functions to the external terminals.

### ◆ H1: Multi-Function Digital Inputs

#### ■ H1-01 to H1-05: Functions for Terminals S1 to S5

These parameters assign functions to the multi-function digital inputs. The settings 0 to 67 determine function for each terminal and are explained below.

**Note:** If not using an input terminal or if using the through-mode, set that terminal to “F”.

| No.   | Parameter Name                      | Setting Range | Default                                   |
|-------|-------------------------------------|---------------|---|
| H1-01 | Digital Input S1 Function Selection | 1 to 9F       | 40: Forward Run Command (2-wire sequence) |
| H1-02 | Digital Input S2 Function Selection | 1 to 9F       | 41: Reverse Run Command (2-wire sequence) |
| H1-03 | Digital Input S3 Function Selection | 0 to 9F       | 24: External Fault                        |
| H1-04 | Digital Input S4 Function Selection | 0 to 9F       | 14: Fault Reset                           |
| H1-05 | Digital Input S5 Function Selection | 0 to 9F       | 3 (0) <1> : Multi-Step Speed Reference 1  |

<1> Number appearing in parenthesis is the default value after performing a 3-Wire initialization.

Table 5.15 Digital Multi-Function Input Settings

| Setting | Function                                 | Page | Setting  | Function                           | Page |
|---------|--|------|----------|------------------------------------|------|
| 0       | 3-Wire Sequence                          | 98   | 10       | Up Command                         | 100  |
| 1       | LOCAL/REMOTE Selection                   | 99   | 11       | Down Command                       |      |
| 2       | Serial Communication Reference Selection | 99   | 14       | Fault Reset                        | 101  |
| 3       | Multi-Step Speed Reference 1             | 99   | 15       | Fast-Stop (N.O.)                   | 102  |
| 4       | Multi-Step Speed Reference 2             |      | 17       | Fast-stop (N.C.)                   | 102  |
| 5       | Multi-Step Speed Reference 3             |      | 20 to 2F | External Fault                     | 102  |
| 6       | Jog Reference Selection                  | 99   | 40       | Forward Run/Stop (2-wire sequence) | 103  |
| 7       | Accel/Decel Time 1                       | 99   | 41       | Reverse Run/Stop (2-wire sequence) |      |
| 8       | Baseblock Command (N.O.)                 | 100  | 61       | External Speed Search Command 1    | 103  |
| 9       | Baseblock Command (N.C.)                 |      | 62       | External Speed Search Command 2    |      |
| A       | Accel/Decel Ramp Hold                    | 100  | 67       | Communications Test Mode           | 103  |
| F       | Not used/Through Mode                    | 100  |          |                                    |      |

#### Setting 0: 3-Wire Sequence

When one of the digital inputs is programmed for 3-Wire control, that input becomes a forward/reverse directional input, S1 becomes the Run command input, and S2 becomes the Stop command input.

The drive will start the motor when the Run input S1 is closed for longer than 50 ms. The drive will stop the operation when the Stop input S2 is released. When the input programmed for 3-Wire sequence is open, the drive will be set for forward direction. If the input is closed, the drive is set for reverse direction.

**Note:** When 3-Wire sequence is selected the Run and Stop command must be input at S1 and S2.

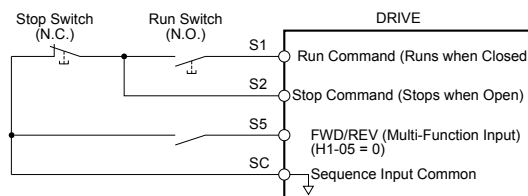


Figure 5.14 3-Wire Sequence Wiring Diagram

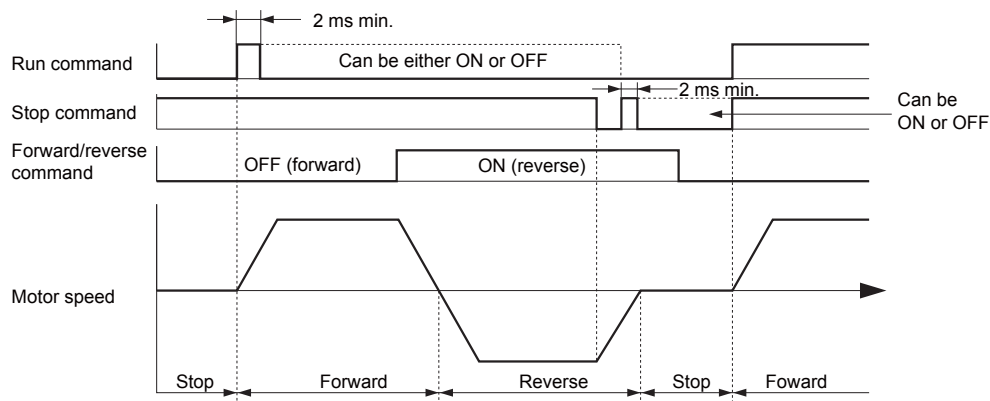


Figure 5.15 3-Wire Sequence

- Note:**
1. The Run and Stop command must be open/closed for a short moment only to start and stop the drive.
  2. If the Run command is active at power up and b1-17 = 0 (Run command at power up not accepted), the Run LED will flash to indicate that protective functions are operating. If required by the application, set b1-17 to "1" to have the Run command issued automatically as soon as the drive is powered up.

**WARNING! Sudden Movement Hazard.** The drive may start unexpectedly in reverse direction after power up if it is wired for 3-Wire sequence but set up for 2-Wire sequence (default). When using 3-Wire sequence first set the drive properly (H1-□□ = 0) and then connect the control wires. Make sure b1-17 is set to "0" (drive does not accept Run command active at power up). When initializing the drive use 3-Wire initialization. Failure to comply could result in death or serious injury from moving equipment.

### Setting 1: LOCAL/REMOTE Selection

This setting allows the input terminal to determine if the drive will run in LOCAL mode or REMOTE mode.

| Status | Description   |
|--------|---|
| Closed | LOCAL: Frequency reference and Run command are input from the digital operator.                           |
| Open   | REMOTE: Frequency reference and Run command are input from the selected external reference. (b1-01/b1-02) |

- Note:**
1. If one of the multi-function input terminals is set to for LOCAL/REMOTE, then the LO/RE key on the operator will be disabled.
  2. When the drive is set to LOCAL, the LO/RE LED will light.
  3. The default setting of the drive is not to allow switching between LOCAL and REMOTE during run. to [Refer to b1-07: LOCAL/REMOTE Run Selection on page 82](#) if this feature is required by the application.

### Setting 2: Serial Communication Reference Selection

This function can be used to switch the Run command and frequency reference source from the current selection (LOCAL or b1-01/02) to Serial Communication.

| Status | Description   |
|--------|---|
| Open   | LOCAL or the source defined by parameters b1-01/02                                      |
| Closed | Run command and frequency reference are set by Serial Communications via MEMOBUS/Modbus |

- Note:** The default setting of the drive is not to allow switching reference sources during run. [Refer to b1-07: LOCAL/REMOTE Run Selection on page 82](#) if this feature is required by the application.

### Setting 3 to 5: Multi-Step Speed Reference 1 to 3

Used to switch Multi-Step Speed frequency references d1-01 to d1-08 by digital inputs. [Refer to d1-01 to d1-08, d1-17: Frequency Reference 1 to 8 and Jog Reference on page 90](#) for details.

### Setting 6: Jog Frequency Reference Selection

Used to select the Jog frequency set in parameter d1-17 as active frequency reference. [Refer to d1-01 to d1-08, d1-17: Frequency Reference 1 to 8 and Jog Reference on page 90](#) for details.

### Setting 7: Accel/Decel Time Selection 1

Used to switch between accel/decel times 1 and 2. [Refer to C1-01 to C1-04: Accel/Decel Times 1 and 2 on page 85](#) for details.

## 5.6 H: Terminal Functions

### Setting 8/9: External Baseblock (N.O.) and External Baseblock (N.C.)

Setting 8 or 9 assign the Baseblock command to digital input terminals. When the drive receives a Baseblock command, the output transistor stop switching and the motor coasts to stop. During this time, the alarm “bb” will flash on the LED operator to indicate baseblock. For more information on alarms, [Refer to Alarm Detection on page 141](#). When baseblock ends and a Run command is active, the drive performs Speed Search to get the motor running again.

| Operation                    | Inputs           |                  |
|------------------------------|------------------|------------------|
|                              | Setting 8 (N.O.) | Setting 9 (N.C.) |
| Normal operation             | Open             | Closed           |
| Baseblock (Interrupt output) | Closed           | Open             |

**NOTICE:** If using baseblock in elevator applications, make sure the brake closes when the drive output is cut off by a Baseblock input. Failure to do so will result in the motor suddenly coasting when the Baseblock command is entered, causing the load to slip.

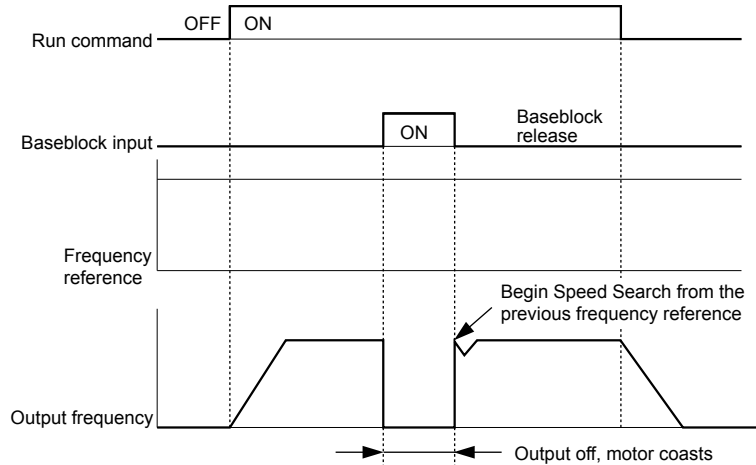


Figure 5.16 Baseblock Operation During Run

### Setting A: Accel/Decel Ramp Hold

When the digital input programmed for the Accel/Decel Ramp Hold function closes, the drive will lock ("hold") the output frequency. All acceleration or deceleration will cease, and the drive will hold the current speed. Acceleration or deceleration will resume once the input is opened again.

If the Accel/Decel Ramp Hold function is enabled ( $d4-01 = 1$ ), the drive will save the output frequency to memory whenever the Ramp Hold input is closed. When the drive is restarted after stop or after power supply interruption, the output frequency that was saved will become the frequency reference (provided that the Accel/Decel Ramp Hold input is still closed). [Refer to d4-01: Frequency Reference Hold Function Selection on page 93](#) for details.

### Setting F: Not Used/Through Mode

Any digital input that is not used should be set to F. When set to “F”, an input does not trigger any function in the drive. Setting F, however, still allows the input status to be read out by a PLC via an optional MEMOBUS/Modbus communications interface. This way external sensors can be connected to unused drive digital inputs, thus reducing the need for separate PLC I/O units.

### Setting 10/11: Up/Down Command

Using the Up/Down function allows the frequency reference to be set by two push buttons. One digital input must be programmed as the Up input ( $H1-\square\square = 10$ ) to increase the frequency reference, the other one must be programmed as the Down input ( $H1-\square\square = 11$ ) to decrease the frequency reference.

The Up/Down function has priority over the frequency references digital operator and analog inputs ( $b1-01 = 0, 1$ ). If the Up/Down function is used, then references provided by these sources will be disregarded.

The inputs operate as shown in the table below.

| Status  |           | Description                      |
|---------|-----------|----------------------------------|
| Up (10) | Down (11) |                                  |
| Open    | Open      | Hold current frequency reference |
| Closed  | Open      | Increase frequency reference     |
| Open    | Closed    | Decrease frequency reference     |

| Status  |           | Description                      |
|---------|-----------|----------------------------------|
| Up (10) | Down (11) |                                  |
| Closed  | Closed    | Hold current frequency reference |

- Note:**
1. An oPE03 alarm will occur when only one of the functions Up/Down is programmed for a digital input.
  2. An oPE03 alarm will occur if the Up/Down function is assigned to the terminals while another input is programmed for the Accel/Decel Ramp Hold function. For more information on alarms, [Refer to Drive Alarms, Faults, and Errors on page 131](#).
  3. The Up/Down function can only be used for external reference 1. Consider this when using Up/Down and the external reference switching function (H1-□□ = 2).

### Using the Up/Down Function with Frequency Reference Hold (d4-01)

- When the frequency reference hold function is disabled ( $d4-01 = 0$ ), the Up/Down frequency reference will be reset to 0 when the Run command is cleared or the power is cycled.
- When  $d4-01 = 1$ , the drive will save the frequency reference set by the Up/Down function. When the Run command or the power is cycled, the drive will restart with the reference value that was saved. The value that was saved can be reset by closing either the Up or Down input without having a Run command active. [Refer to d4-01: Frequency Reference Hold Function Selection on page 93](#).

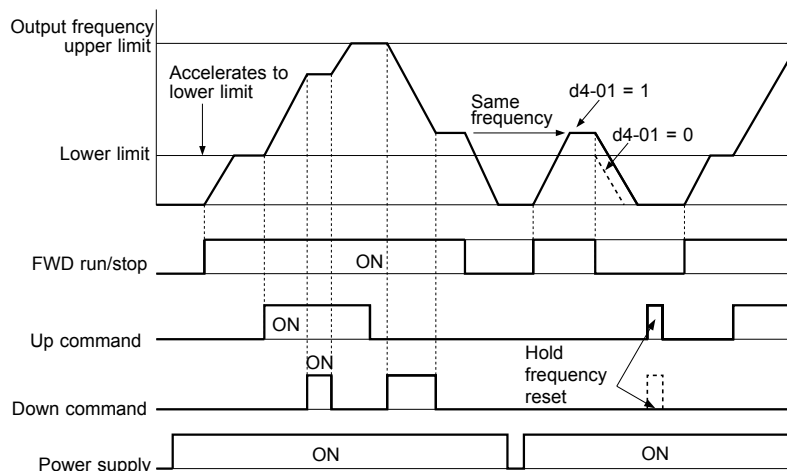
### Using the Up/Down Function with Frequency Reference Limits

The upper frequency reference limit is determined by parameter d2-01.

The value for the lower frequency reference limit can be set by an analog input or parameter d2-02. When a Run command is applied, the lower limits work as follows:

- If the lower limit is set by parameter d2-02 only, the drive will accelerate to this limit as soon as a Run command is entered.
- If the lower limit is determined by an analog input only, the drive will accelerate to the limit as long as the Run command and an Up or Down command are active. It will not start running if only the Run command is on.
- If the lower limit is set by both an analog input and d2-02, and the analog limit is higher than the d2-02 value, the drive will accelerate to the d2-02 value when a Run command is input. Once the d2-02 value is reached, it will continue acceleration to the analog limit only if an Up or Down command is set.

[Figure 5.17](#) shows an Up/Down function example with a lower frequency reference limit set by d2-02 and the frequency reference hold function both enabled ( $d4-01 = 1$ ) and disabled ( $d4-01 = 0$ ).



**Figure 5.17 Up/Down Command Operation**

### Setting 14: Fault Reset

Whenever the drive detects a fault condition, the fault output contact will close and the drive output will shut off. The motor then coasts to stop (specific stopping methods can be selected for some faults such as L1-04 for motor overheating). After removing the Run command, clear the fault by pressing either the RESET key on the digital operator or by closing a digital input configured as a Fault Reset (H1-□□ = 14).

- Note:** Fault Reset commands are ignored as long as the Run command is present. To reset a fault, first remove the Run command.

## 5.6 H: Terminal Functions

### Setting 15/17: Fast-stop (N.O./N.C.)

The Fast-stop function operates much like an emergency stop input to the drive. If a Fast-stop command is input while the drive is running, the drive will decelerate to a stop by the deceleration time set to C1-09 (*Refer to C1-09: Fast-stop Time on page 85*). The drive can only be restarted after it has come to a complete stop, the Fast-stop input is off, and the Run command has been switched off.

- To trigger the Fast-stop function with a N.O. switch, set H1-□□ = 15
- To trigger the Fast-stop function with a N.C. switch, set H1-□□ = 17

Figure 5.18 shows an operation example of Fast-stop.

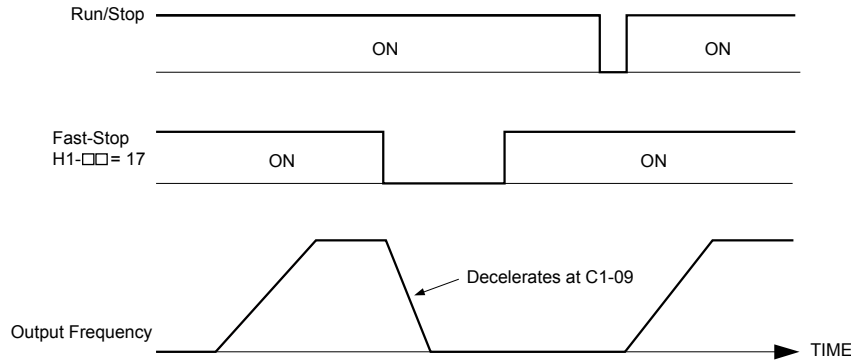


Figure 5.18 Fast-stop Sequence

**NOTICE:** Rapid deceleration can trigger an overvoltage fault. When faulted, the drive output shuts off, and the motor coasts. To avoid this uncontrolled motor state and to ensure that the motor stops quickly and safely, set an appropriate Fast-stop time to C1-09.

### Setting 20 to 2F: External Fault

By using the External Fault function, the drive can be stopped when problems occur with external devices.

To use the external fault function, set one of the multi-function digital inputs to any value between 20 to 2F. The operator will display EF□ where □ is the number of the terminal (terminal S□) to which the external fault signal is assigned.

For example, if an external fault signal is input to terminal S3, “EF3” will be displayed.

Select the value to be set in H1-□□ from a combination of any of the following three conditions:

- Signal input level from peripheral devices (N.O./N.C.)
- External fault detection method
- Operation after external fault detection

The following table shows the relationship between the conditions and the value set to H1-□□:

| Setting | Terminal Status <1> |      | Detection Method <2> |                          | Stopping Method      |                       |                   |                               |
|---------|---------------------|------|----------------------|--------------------------|----------------------|-----------------------|-------------------|-------------------------------|
|         | N.O.                | N.C. | Always Detected      | Detected during Run only | Ramp to Stop (fault) | Coast to Stop (fault) | Fast-stop (fault) | Alarm Only (continue running) |
| 20      | O                   |      | O                    |                          | O                    |                       |                   |                               |
| 21      |                     | O    | O                    |                          | O                    |                       |                   |                               |
| 22      | O                   |      |                      | O                        | O                    |                       |                   |                               |
| 23      |                     | O    |                      | O                        | O                    |                       |                   |                               |
| 24      | O                   |      | O                    |                          |                      | O                     |                   |                               |
| 25      |                     | O    | O                    |                          |                      | O                     |                   |                               |
| 26      | O                   |      |                      | O                        |                      | O                     |                   |                               |
| 27      |                     | O    |                      | O                        |                      | O                     |                   |                               |
| 28      | O                   |      | O                    |                          |                      |                       | O                 |                               |
| 29      |                     | O    | O                    |                          |                      |                       | O                 |                               |
| 2A      | O                   |      |                      | O                        |                      |                       | O                 |                               |
| 2B      |                     | O    |                      | O                        |                      |                       | O                 |                               |
| 2C      | O                   |      | O                    |                          |                      |                       |                   | O                             |
| 2D      |                     | O    | O                    |                          |                      |                       |                   | O                             |

| Setting | Terminal Status <1> |      | Detection Method <2> |                          | Stopping Method      |                       |                   |                               |
|---------|---------------------|------|----------------------|--------------------------|----------------------|-----------------------|-------------------|-------------------------------|
|         | N.O.                | N.C. | Always Detected      | Detected during Run only | Ramp to Stop (fault) | Coast to Stop (fault) | Fast-stop (fault) | Alarm Only (continue running) |
| 2E      | O                   |      |                      | O                        |                      |                       |                   | O                             |
| 2F      |                     | O    |                      | O                        |                      |                       |                   | O                             |

<1> Determine the terminal status for each fault, i.e., whether the terminal is normally open or normally closed.

<2> Determine whether detection for each fault should be enabled only during run or always detected.

**Setting 40/41: Forward Run/Reverse Run Command for 2-Wire Sequence**

Sets the drive for 2-Wire sequence.

When the input set to 40 is closed, the drive operates in the forward direction. When the input set for 41 is closed, the drive will operate in reverse. Closing both inputs at the same time will result in an external fault.

**Note:** These functions are assigned to the terminals S1 and S2 when the drive is initialized for 2-Wire sequence.

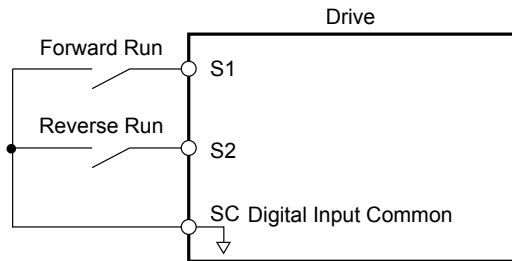


Figure 5.19 Example Wiring Diagram for 2-Wire Sequence

**Setting 61/62: Speed Search 1/2**

These input functions can be used to enable Speed Search. When the Speed Search 1 input (H1-□□ = 61) is enabled the drive will search the motor speed starting from the maximum output frequency. With Speed Search 2 input (H1-□□ = 62) enabled the Speed Search will be performed starting from the frequency reference.

**Note:** Operator error oPE03 will result if both Speed Search 1 and Speed Search 2 are set to the input terminals at the same time.

**Setting 67: Communication Test Mode**

If a RS-422/485 communications options is attached to the drive, this function can be used to perform a self-diagnosis of the communication interface. The drive transmits data and then confirms the communications are received normally. Refer to [Self-Diagnostics on page 235](#) for details on how to use this function.

◆ **H2: Multi-Function Output**

■ **H2-01: Terminal MA/MB/MC Function Selection**

The drive has a multi-function output terminal. Set parameter H2-01 between 0 and 13D to assign functions to this terminal. Default values are listed in the following table.

| No.   | Parameter Name                                    | Setting Range | Default  |
|-------|---|---------------|----------|
| H2-01 | Terminal MA, MB and MC Function Selection (relay) | 0 to 13D      | E: Fault |

**Note:** If not using an input terminal or if using it in the through-mode, be sure to set that terminal to “F”.

Table 5.16 Multi-Function Output Terminal Settings

| Setting | Function              | Page | Setting | Function                  | Page |
|---------|-----------------------|------|---------|---------------------------|------|
| 0       | During Run            | 104  | E       | Fault                     | 106  |
| 1       | Zero Speed            | 104  | F       | Not used/Through Mode     | 106  |
| 2       | Speed Agree           | 104  | 10      | Alarm                     | 107  |
| 4       | Frequency Detection 1 | 105  | 17      | Torque Detection 1 (N.C.) | 106  |
| 5       | Frequency Detection 2 | 105  | 1A      | During Reverse Operation  | 107  |
| 6       | Drive Ready           | 106  | 1E      | Restart Enabled           | 107  |

## 5.6 H: Terminal Functions

| Setting | Function                  | Page | Setting    | Function  | Page |
|---------|---------------------------|------|------------|---|------|
| 7       | DC Bus Undervoltage       | 106  | 3C         | LOCAL/REMOTE Status   | 107  |
| 8       | During Baseblock (N.O.)   | 106  | 3D         | During Speed Search   | 107  |
| B       | Torque Detection 1 (N.O.) | 106  | 100 to 13D | H2 Parameter Functions Reversed Output Switching of 0 to 92 | 107  |

### Setting 0: During Run

Output closes when the drive is outputting a voltage.

| Status | Description  |
|--------|--|
| Open   | Drive is stopped.  |
| Closed | A Run command is input or the drive is during deceleration or during DC injection. |

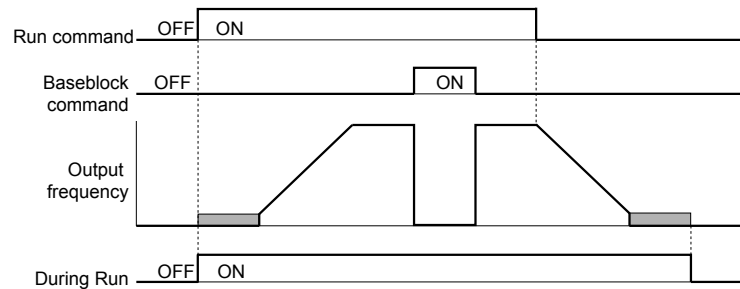


Figure 5.20 During Run Time Chart

### Setting 1: Zero Speed

Terminal closes whenever the output frequency falls below the minimum output frequency set to E1-09.

| Status | Description   |
|--------|---|
| Open   | Output frequency is above the minimum output frequency set to E1-09                 |
| Closed | Output frequency is less than or equal to the minimum output frequency set to E1-09 |

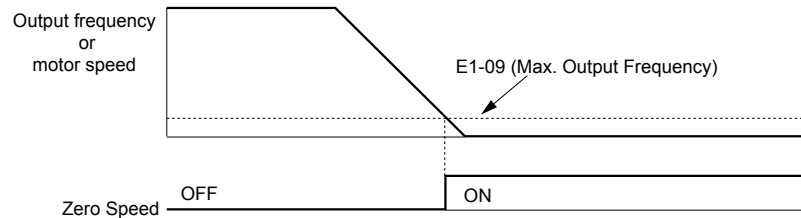


Figure 5.21 Zero-Speed Time Chart

### Setting 2: Speed Agree ( $f_{ref}/f_{out}$ Agree)

Closes whenever the actual output frequency is within the current frequency reference regardless of the direction, plus or minus 2 Hz.

| Status | Description   |
|--------|---|
| Open   | Output frequency does not match the frequency reference while the drive is running. |
| Closed | Output frequency is within the range of frequency reference $\pm 2$ Hz.             |

**Note:** Detection works in both directions, forward and reverse.



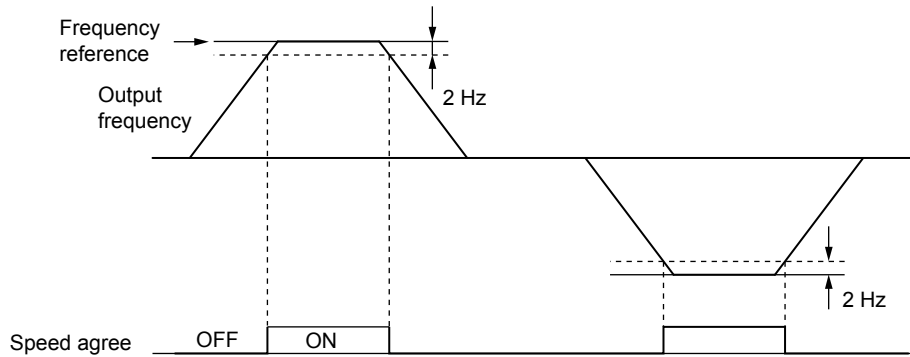


Figure 5.22 Speed Agree Time Chart

Refer to [L4-01: Speed Agreement Detection Level on page 116](#) for details on setting the detection width.

**Setting 4: Frequency Detection 1**

Output is closed as long as the output frequency is below the detection level set in L4-01 plus 2 Hz. It closes when the output frequency falls below L4-01.

| Status | Description   |
|--------|---|
| Open   | Output frequency exceeded L4-01 + 2 Hz.                           |
| Closed | Output frequency is below L4-01 or has not exceeded L4-01 + 2 Hz. |

**Note:** The detection works in both forward and reverse. The value of L4-01 will be used as the detection level for both directions.

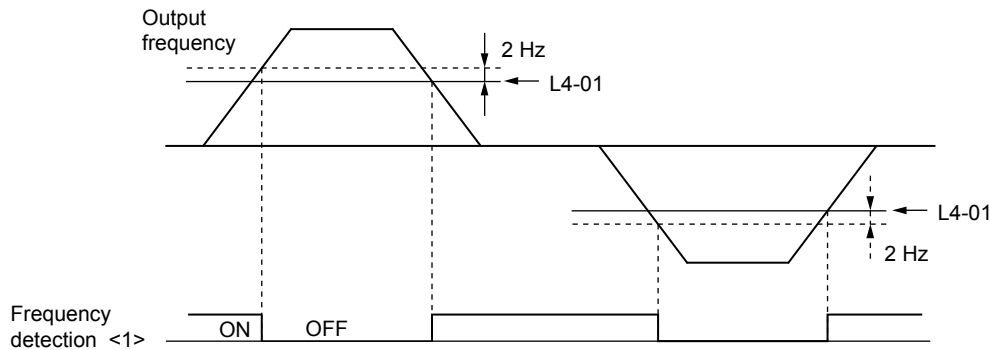


Figure 5.23 Frequency Detection 1 Time Chart

<1> This is the time chart when L4-07, Speed Agree Detection Selection, is set to 1 (Detection always enabled). The default setting for L4-07 is 0 (No detection during baseblock). When L4-07 is set to 0, the terminal opens during baseblock.

Refer to [L4-01: Speed Agreement Detection Level on page 116](#) for details on setting the detection width.

**Setting 5: Frequency Detection 2**

Output closes whenever the output frequency is equal to or above the detection level set in L4-01. The output opens when the output frequency falls below L4-01 minus 2 Hz.

| Status | Description   |
|--------|---|
| Open   | Output frequency is below L4-01 minus 2 Hz or has not exceeded L4-01. |
| Closed | Output frequency exceeded L4-01.                                      |

**Note:** The detection works in both forward and reverse. The value of L4-01 will be used as the detection level for both directions.

## 5.6 H: Terminal Functions

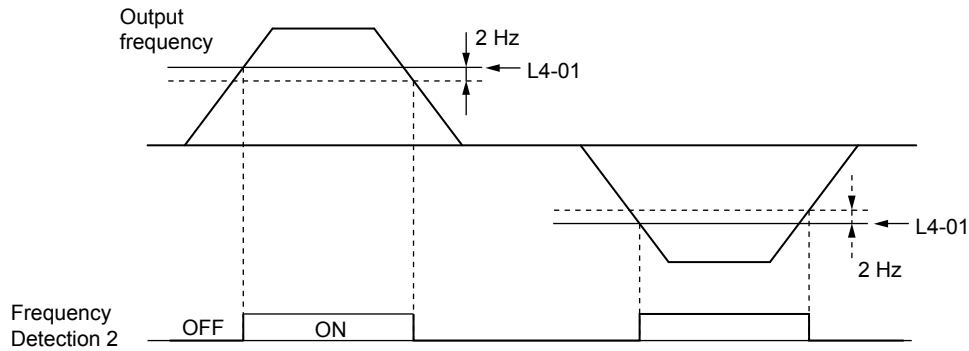


Figure 5.24 Frequency Detection 2 Time Chart

Refer to [L4-01: Speed Agreement Detection Level on page 116](#) for details on setting the detection width.

### Setting 6: Drive Ready

Output closes whenever the drive is ready to operate the motor.

| Status | Description   |
|--------|---|
| Open   | During power up, initialization, fault or in Programming Mode (while b1-08 = 0 or 2). |
| Closed | Drive is ready for operation.   |

Refer to [b1-08: Run Command Selection while in Programming Mode on page 82](#) for details on the setting of b1-08.

### Setting 7: DC Bus Undervoltage

Output closes whenever the DC bus voltage or control circuit power supply drops below the trip level. The undervoltage trip level depends on the setting of parameter E1-01. Refer to E1-01 for details. A fault in the DC bus charge circuit will also cause the DC Bus Undervoltage output to close.

| Status | Description   |
|--------|---|
| Open   | DC bus voltage is above the undervoltage level.         |
| Closed | DC bus voltage has fallen below the undervoltage level. |

### Setting 8: During Baseblock (N.O.)

Output closes to indicate that the drive is in a baseblock state. While Baseblock is executed, output transistors are not switched and no voltage will be output.

| Status | Description                        |
|--------|------------------------------------|
| Open   | Drive is not in a baseblock state. |
| Closed | Baseblock is being executed.       |

### Settings B and 17: Torque Detection (N.O./N.C.)

These digital output functions can be used to signal an overtorque situation to an external device.

Set up the torque detection and select the output function from the table below. Refer to [L6: Torque Detection on page 117](#) for details.

| Setting | Status | Description  |
|---------|--------|--|
| B       | Closed | Torque Detection (N.O.):<br>Output current/torque exceeds the torque value set in parameter L6-02 for longer than the time specified in parameter L6-03. |
| 17      | Open   | Torque Detection (N.C.):<br>Output current/torque exceeds the torque value set in parameter L6-02 for longer than the time specified in parameter L6-03. |

### Setting E: Fault

The Fault configured digital output will close whenever the drive experiences a fault (this excludes faults CPF00 and CPF01).

### Setting F: Not Used

Use this setting when the terminal is not used or when using the terminal as a throughput.

When set to “F”, the output is not set by any drive function but it can be switched by a PLC via MEMOBUS/Modbus communications interface (through mode).

**Setting 10: Minor Fault**

Output closes when a minor fault condition is present.

**Setting 1A: During Reverse**

The During Reverse digital output will close whenever the drive is turning the motor in the reverse direction.

| Status | Description  |
|--------|--|
| Open   | Motor is driven in the forward direction or stopped. |
| Closed | Motor is driven in reverse.                          |

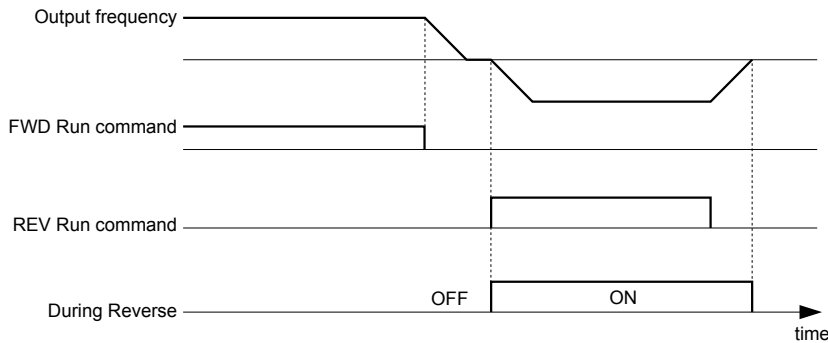


Figure 5.25 Reverse Direction Output Example Time Chart

**Setting 1E: Restart Enabled**

The Restart Enabled output will be closed once the fault restart function becomes active and will remain closed until a successful restart is accomplished or the number of Auto Restart attempts as specified by L5-01 is reached. Refer to L5: Fault Restart on page 117 for details on automatic fault restart.

**Setting 3C: LOCAL/REMOTE Status**

Output terminal closes while the drive is set for LOCAL and opens when in REMOTE.

| Status | Description  |
|--------|--|
| Open   | REMOTE: The selected external reference (b1-01/02 or MEMOBUS/Modbus) is used as frequency reference and Run command source |
| Closed | LOCAL: The digital operator is used as frequency reference and Run command source  |

**Setting 3D: During Speed Search**

Output terminal closes while Speed Search is being performed.

**Setting 100 to 13D: Reverse Switching for Functions 0 to 3D**

These settings reverse the switching status of the specified function. Set as 1□□, where the last two digits specify the setting number of the function to be reversed.

Examples:

- To reverse the output for “8: During Baseblock”, set “108”.
- To reverse the output for “3C: Run command” set “13C”.

◆ **H3: Analog Input Terminal A1 Settings**

These parameters adjust the signal level and characteristics of the analog frequency reference input A1.

■ **H3-01: Terminal A1 Signal Level Selection**

Selects the input signal level for analog input A1.

| No.   | Name                               | Setting Range | Default |
|-------|------------------------------------|---------------|---------|
| H3-01 | Terminal A1 Signal Level Selection | 0 to 3        | 0       |

## 5.6 H: Terminal Functions

### Setting 0: 0 to 10 Vdc with Limit

The input level is 0 to 10 Vdc. Negative input values will be limited to 0.

Example: Terminal A1 is set to supply the frequency reference, and the bias (H3-04) is set to -100%. The frequency reference can be set from 0 to 100% with an analog input of 5 to 10 V. The frequency reference will be zero when the analog input is between 0 and 5 V.

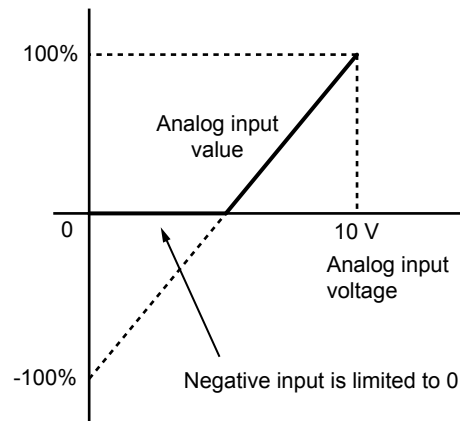


Figure 5.26 Analog Input with Limit (Bias Setting -100%)

### Setting 1: 0 to 10 Vdc without Limit

The input level is 0 to 10 Vdc. Negative input values will be accepted.

Example: Terminal A1 is set to supply the frequency reference, and the bias (H3-04) is set to -100%. The frequency reference can be set from 0 to 100% with an analog input of 5 to 10 V. With an input of 0 to 5 V, the frequency reference can be set from -100% to 0%. The drive reverses the motor rotation with negative input.

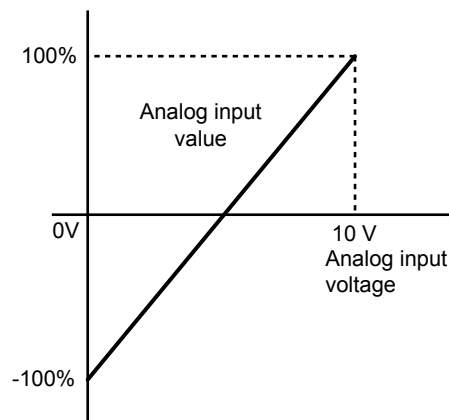


Figure 5.27 Analog Input without Limit (Bias Setting -100%)

### Setting 2: 4 to 20 mA Current Input

The input level is 4 to 20 mA. Negative input values by negative bias or gain settings will be limited to 0 (like setting 0).

### Setting 3: 0 to 20 mA Current Input

The input level is 0 to 20 mA. Negative input values by negative bias or gain settings will be limited to 0 (like setting 0).

### ■ H3-03/H3-04: Terminal A1 Gain/Bias Setting

Parameter H3-03 sets the level of the selected input value that is equal to 10 Vdc input at terminal A1 (Gain).

Parameter H3-04 sets the level of the selected input value that is equal to 0 V input at terminal A1.

Both can be used to adjust the analog input A1 characteristics.

| No.   | Name                     | Setting Range    | Default |
|-------|--------------------------|------------------|---------|
| H3-03 | Terminal A1 Gain Setting | -999.9 to 999.9% | 100.0%  |
| H3-04 | Terminal A1 Bias Setting | -999.9 to 999.9% | 0.0%    |

### Default Settings

Using the factory default settings for the analog input's function, gain, and bias, the 0 to 10 Vdc signal at the analog input will yield a 0 to 100% frequency reference span.

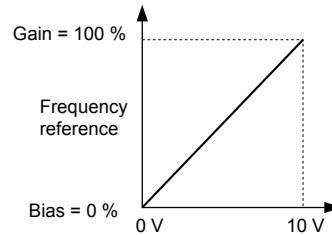


Figure 5.28 Analog Input A1 Default Characteristics

### Setting Examples

- Gain H3-03 = 200%, A1 as frequency reference input:

An input 10 Vdc will be equivalent to a 200% frequency reference and 5 Vdc will be equivalent to a 100% frequency reference. Since the drive output is limited by the maximum frequency parameter (E1-04), the frequency reference will be equal to E1-04 above 5 Vdc.

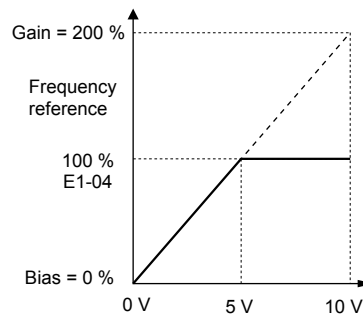


Figure 5.29 Frequency Reference Setting by Analog Input with Increased Gain

- Bias H3-04 = -25%, A1 as frequency reference input

An input of 0 Vdc will be equivalent to a -25% frequency reference.

When parameter H3-01 = 0 the minimum frequency reference is 0% between 0 and 2.5 Vdc input. An analog input of 2.5 to 10 Vdc will now be the same as 0 to 100% of the frequency reference span.

When parameter H3-01 = 1, the motor will rotate in reverse between 0 and 2.5 Vdc input.

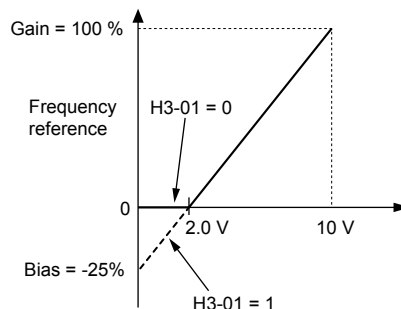


Figure 5.30 Frequency Reference Setting by Analog Input with Negative Bias

- Gain = 0%, Bias = 100%, A1 as frequency reference input

## 5.6 H: Terminal Functions

This setting leads to an inverse-acting frequency reference. The minimum analog input level (0 Vdc) will produce a 100% frequency reference and the maximum analog input level (10 Vdc) will produce a 0% frequency reference.

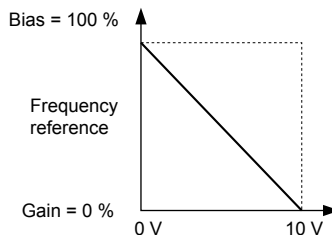


Figure 5.31 Frequency Reference Setting by Analog Input with Inverse Gain and Bias Settings

### ■ H3-13: Analog Input Filter Time Constant

Parameter H3-13 sets the time constant for a first order filter that will be applied to analog input A1 and also to the reference value from potentiometer option (AI-V3/J).

| No.   | Name                              | Setting Range  | Default |
|-------|-----------------------------------|----------------|---------|
| H3-13 | Analog Input Filter Time Constant | 0.00 to 2.00 s | 0.03 s  |

An analog input filter can be used to prevent erratic drive control when a “noisy” analog reference is used. The drive operation becomes more stable the longer the time programmed, but it becomes less responsive to rapidly changing analog signals.

## ◆ H4: Multi-Function Analog Output Terminal AM

These parameters assign a function to analog output terminal AM for monitoring a specific aspect of drive performance.

### ■ H4-01: Multi-Function Analog Terminal AM Monitor Selection

Sets the desired drive monitor parameter  $U\Box-\Box\Box$  to output as an analog value via terminal AM. *Refer to U: Monitors on page 203* for a list of all monitors. The “Analog Output Level” columns indicates if a monitor can be applied for analog output.

Example: Enter “103” for U1-03.

| No.   | Name  | Setting Range | Default |
|-------|---|---------------|---------|
| H4-01 | Multi-Function Analog Terminal AM Monitor Selection | 000 to 999    | 102     |

A setting of 031 or 000 applies no drive monitor to the analog output. With this setting the terminal AM output level can be set by a PLC via a MEMOBUS/Modbus communications interface (through mode).

### ■ H4-02/H4-03: Multi-Function Analog Output Terminal AM Gain/Bias

Parameter H4-02 sets the output voltage that is equal to 100% of the monitor value. Parameter H4-03 sets the output voltage equal to 0% of the monitor value.

Both values are set as a percentage of 10 V. The minimum output voltage for terminal AM is 0 V, the maximum is 10 Vdc. *Figure 5.32* illustrates the function of the gain and bias settings.

| No.   | Name  | Setting Range    | Default |
|-------|---|------------------|---------|
| H4-02 | Multi-Function Analog Output Terminal AM Gain | -999.9 to 999.9% | 100.0%  |
| H4-03 | Multi-Function Analog Output Terminal AM Bias | -999.9 to 999.9% | 0.0%    |

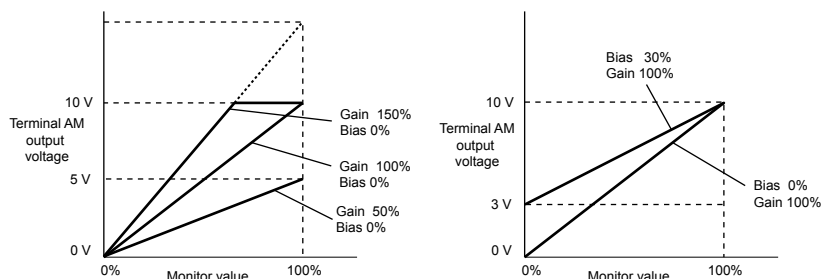


Figure 5.32 Analog Output Gain/Bias Setting

When viewing the settings for H4-02, terminal AM will output a voltage that is equal to 100% of the monitor value (considering the present setting). When viewing the settings for H4-03, terminal AM will output a voltage that is equal to 0% of the monitor value.

---

### ◆ H5: MEMOBUS/Modbus Serial Communication

Through the drives optional RS-422/485 interface, serial communication can be performed with programmable logic controllers (PLCs) or similar devices using the MEMOBUS/Modbus protocol.

The H5-□□ parameters are used to set up the drive for MEMOBUS/Modbus Communications. *Refer to MEMOBUS/Modbus Serial Communication on page 217* for detailed descriptions of the H5-□□ parameters.

## 5.7 L: Protection Functions

### ◆ L1: Motor Protection Functions

#### ■ L1-01: Motor Overload Protection Selection

The drive has an electronic overload protection function that estimates the motor overload level based on output current, output frequency, thermal motor characteristics, and time. An oL1 fault will be triggered when motor overload is detected.

L1-01 sets the overload protection function characteristics according to the motor being used.

| No.   | Name                                | Setting Range | Default |
|-------|-------------------------------------|---------------|---------|
| L1-01 | Motor Overload Protection Selection | 0 to 2        | 1       |

#### Setting 0: Disabled - Motor Overload Protection is not Provided

This setting should be used if no motor overheat protection is desired or if multiple motors are connected to one drive. In this case it is recommended that you install a thermal relay for each motor as show in [Figure 5.33](#)

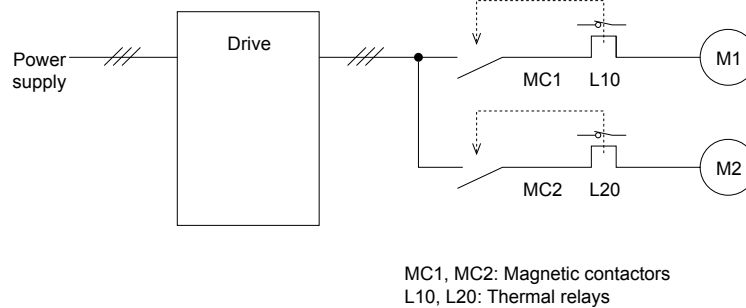


Figure 5.33 Example of Protection Circuit Design for Multiple Motors

**NOTICE:** Protect each motor with individual thermal overloads when multiple motors are connected to one drive. Failure to comply could result in motor damage. Disable the electronic overload protection of the drive (L1-01 = "0: Disabled") and protect each motor with individual motor thermal overloads.

#### Setting 1: General Purpose Motor (standard self-cooled)

Because the motor is self-cooled, the overload tolerance drops when the motor speed is lowered. The drive appropriately adjusts the electrothermal trigger point according to the motor overload characteristics, protecting the motor from overheat throughout the entire speed range.

| Overload Tolerance | Cooling Ability  | Overload Characteristics  |
|--------------------|--|---|
|                    | <p>Motor designed to operate from line power.<br/>Motor cooling is most effective when running at rated nameplate base frequency (check the motor specifications).</p> | <p>Continuous operation at less than line power frequency with 100% load can trigger motor overload protection (oL1). A fault is output and the motor will coast to stop.</p> |

#### Setting 2: Drive Dedicated Motor (constant torque, 1:10)

Use this setting when operating a drive duty motor with a torque ratio of 1:10. This motor type is allowed to run with 100% load from 10% up to 100% speed. Running slower speeds with full load can trigger an overload fault.



| Overload Tolerance   | Cooling Ability   | Overload Characteristics  |
|--|---|---|
| <p>Torque (%)</p> <p>150</p> <p>100</p> <p>60 sec.</p> <p>Rated Speed=100% Speed</p> <p>55</p> <p>50</p> <p>Continuous</p> <p>A</p> <p>D</p> <p>B</p> <p>0 110 100 120 167 200</p> <p>(60 Hz)</p> <p>Speed (%)</p> | <p>Motor is designed to effectively cool itself at speeds as low as 6 Hz.</p> | <p>Continuous operation with 100% load from 6 Hz to 50/60 Hz.</p> |

**■ L1-02: Motor Overload Protection Time**

Sets the time it takes the drive to detect motor overload due to overload. This setting rarely requires adjustment, but should correlate with the motor overload tolerance protection time for performing a hot start.

| No.   | Name                           | Setting Range   | Default |
|-------|--------------------------------|-----------------|---------|
| L1-02 | Motor Overload Protection Time | 0.1 to 20.0 min | 8.0 min |

- Defaulted to operate with an allowance of 150% overload operation for one minute.
- **Figure 5.34** shows an example of the electrothermal protection operation time using a general-purpose motor operating at 60 Hz with L1-02 set to one minute.

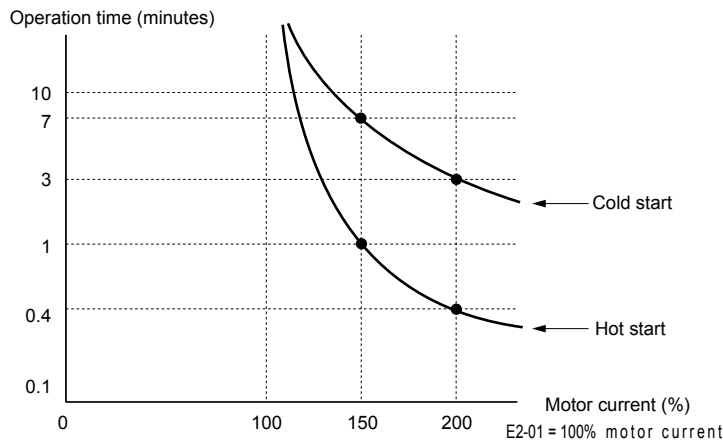


Figure 5.34 Motor Protection Operation Time

**■ L1-13: Continuous Electrothermal Operation Selection**

Determines whether to hold the current value of the electrothermal motor protection (L1-01) when the power supply is interrupted.

| No.   | Name  | Setting Range | Default |
|-------|---|---------------|---------|
| L1-13 | Continuous Electrothermal Operation Selection | 0 or 1        | 1       |

Setting 0: Disabled

Setting 1: Enabled

**◆ L2: Momentary Power Loss Ride-Thru**

**■ L2-01: Momentary Power Loss Operation Selection**

When a momentary power loss occurs the drive can be set to automatically return to the operation it was performing when the power went out based on certain conditions.

## 5.7 L: Protection Functions

| No.   | Name                                     | Setting Range | Default |
|-------|--|---------------|---------|
| L2-01 | Momentary Power Loss Operation Selection | 0 to 2        | 0       |

### Setting 0: Disabled (default)

If power is not restored within 15 ms, a Uv1 fault will result and the drive will stop the motor.

### Setting 1: Enabled, with Time Limit

When a momentary power loss occurs, the drive will attempt to restart and perform Speed Search if power is restored within a certain period of time. If power is not restored within this time, then a Uv1 fault is triggered and the drive output will be shut off. The allowable time for the momentary power loss condition is dependent on the drive capacity.

### Setting 2: Recover as Long as CPU has Power

Drive will try to restart as long as the CPU still has power. This allows for a longer ride-through time than setting L2-01 to 1. A Uv1 fault is not triggered.

- Note:**
1. When L2-01 is set to 1 or 2, and a magnetic contactor between motor and drive is used, be sure that the magnetic contactor is kept close as long as the drive attempts to restart.
  2. When L2-01 is set to 1 or 2, "Uv" will flash on the operator while the drive is attempting to recover from a momentary power loss. A fault signal is not output at this time.

## ◆ L3: Stall Prevention

When the load is too high or acceleration and deceleration times are too short, the motor may be unable to keep up with the frequency reference, resulting in excessive slip. This "stalling" makes it impossible to decelerate or accelerate. The drive can prevent the motor from stalling and still reach the desired speed without the user needing to change the acceleration or deceleration time settings. The Stall Prevention function can be set separately for acceleration, operating at constant speeds, and deceleration.

### ■ L3-01: Stall Prevention Selection during Acceleration

Stall Prevention during acceleration is used when the motor loses speed during acceleration due to a relatively large load. It prevents overcurrent and motor overload (oL1) from occurring.

This parameter sets the Stall Prevention method for acceleration.

| No.   | Name   | Setting Range | Default |
|-------|--|---------------|---------|
| L3-01 | Stall Prevention Selection during Acceleration | 0 to 1        | 1       |

### Setting 0: Disabled

No Stall Prevention is provided. If the acceleration time setting is too short, the drive may not be able to accelerate within the set time and the motor may stall.

### Setting 1: Enabled

Enables Stall Prevention during acceleration.

When the output current exceeds 85% of the level set in parameter L3-02, the acceleration rate is reduced. The acceleration is stopped when the current exceeds L3-02. Acceleration continues when the current falls below L3-02. The Stall Prevention level is automatically reduced in the field weakening area.

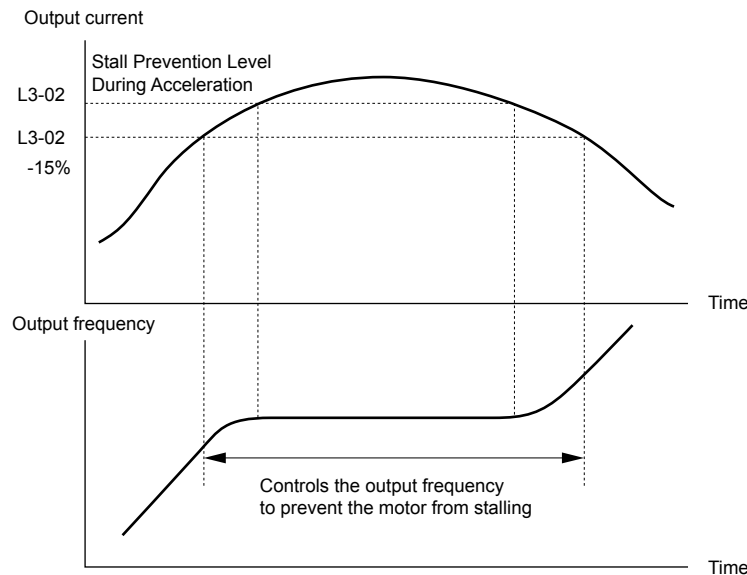


Figure 5.35 Stall Prevention During Acceleration for Induction Motors

**■ L3-02: Stall Prevention Level During Acceleration**

Sets the output current level at which the Stall Prevention during acceleration is activated.

| No.   | Name                                       | Setting Range | Default |
|-------|--|---------------|---------|
| L3-02 | Stall Prevention Level during Acceleration | 0 to 150% </> | </>     |

<1> The upper limit and default value is determined by the duty rating and the carrier frequency derating selection (C6-01 and L8-38 respectively).

If stalling occurs with L3-02 set to its default value when using a motor that is relatively small compared to the drive, try lowering L3-02.

**■ L3-04: Stall Prevention Selection during Deceleration**

Stall Prevention during deceleration can control the deceleration based on the DC bus voltage and prevent an overvoltage fault caused by high inertia or rapid deceleration.

Selects the Stall Prevention method during deceleration.

| No.   | Name   | Setting Range | Default |
|-------|--|---------------|---------|
| L3-04 | Stall Prevention Selection during Deceleration | 0, 1, 4       | 1       |

**Setting 0: Disabled**

When this setting is used, the drive decelerates according to the set deceleration time. With high inertia loads or rapid deceleration, an overvoltage (ov) fault may occur. In this case use braking options or switch to another L3-04 selection.

**Note:** Use this setting whenever a Dynamic Braking Resistor or another braking option is used.

**Setting 1: General Purpose Stall Prevention**

With this setting the drive tries to decelerate in the set deceleration time. When the DC bus voltage exceeds the Stall Prevention level, the drive pauses deceleration. Deceleration continues as soon as the DC bus voltage drops below that level. Stall Prevention may be triggered repeatedly to avoid an overvoltage fault. The DC bus voltage level for Stall Prevention depends on the input voltage setting E1-01.

| Drive Input Voltage |               | Stall Prevention Level during Deceleration |
|---------------------|---------------|--|
| 200 V Class         |               | V <sub>dc</sub> = 380 V                    |
| 400 V Class         | E1-01 ≥ 400 V | V <sub>dc</sub> = 760 V                    |
|                     | E1-01 < 400 V | V <sub>dc</sub> = 660 V                    |

- Note:**
1. This setting should not be used in combination with a Dynamic Braking Resistor or other braking options. If Stall Prevention during deceleration is enabled, it will be triggered before the braking resistor option can operate.
  2. This method may lengthen the total deceleration time compared to the set value. If this is not appropriate for the application consider using a braking option.

## 5.7 L: Protection Functions

Figure 5.36 illustrates the function of Stall Prevention during deceleration.

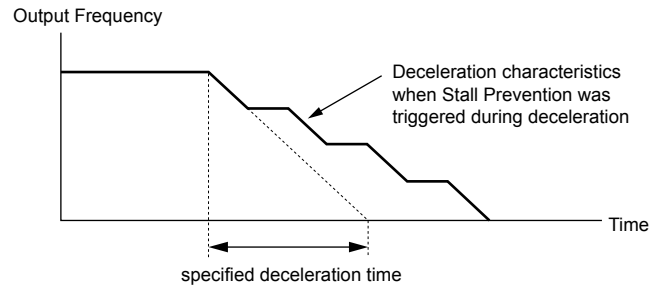


Figure 5.36 Stall Prevention During Deceleration

### Setting 4: Overexcitation Deceleration

Enables overexcitation deceleration. Overexcitation Deceleration (increasing the motor flux) shortens the deceleration time compared to deceleration with no Stall Prevention (L3-04 = 0). Repetitive or long overexcitation deceleration can result in motor overheat. In such situations, either shorten the deceleration time setting or use a braking resistor option.

Use parameter n3-13 to fine-tune this function.

**Note:** Because the allowable flux level for overexcitation varies based on the flux saturation characteristics of the motor, set the proper overexcitation level by adjusting the excitation gain in parameter n3-13. Motor characteristics and inertia of the machine influence the deceleration time during overexcitation deceleration.

### ■ L3-05: Stall Prevention Selection During Run

Stall Prevention During Run can prevent a motor from stalling by automatically reducing the speed when a transient overload occurs while the motor is running at constant speed.

This parameter selects the Stall Prevention During Run method.

| No.   | Name                                  | Setting Range | Default |
|-------|---------------------------------------|---------------|---------|
| L3-05 | Stall Prevention Selection During Run | 0 to 2        | 1       |

**Note:** When output frequency is 6 Hz or less, Stall Prevention During Run is disabled regardless of the setting in L3-05/06.

#### Setting 0: Disabled

Drive runs at the set frequency reference. A heavy load may cause the motor to stall and trip the drive with an oC or oL fault.

#### Setting 1: Decelerate Using C1-02

If the current exceeds the Stall Prevention level set in parameter L3-06, the drive decelerates at Decel Time 1 (C1-02). Once the current level drops below the value of L3-06 minus 2% for 100 ms it accelerates back to the frequency reference at the active acceleration time.

#### Setting 2: Decelerate Using C1-04

Same as setting 1 except the drive decelerates at decel time 2 (C1-04).

### ■ L3-06: Stall Prevention Level During Run

Sets the current level for Stall Prevention During Run.

| No.   | Name                              | Setting Range | Default |
|-------|-----------------------------------|---------------|---------|
| L3-06 | Stall Prevention Level During Run | 30 to 150 </> | </>     |

</> The upper limit and default value for this setting are determined by C6-01, Drive Duty Selection, and L8-38, Carrier Frequency Reduction Selection.

## ◆ L4: Speed Agree

These parameters set up the speed agree and speed detection functions which can be assigned to the multi-function output terminal MA-MB-MC.

### ■ L4-01: Speed Agreement Detection Level

Parameter L4-01 sets the detection level for the digital output functions “Speed Agree”, “Frequency Detection 1”, and “Frequency Detection 2”.

| No.   | Name                            | Setting Range   | Default |
|-------|---------------------------------|-----------------|---------|
| L4-01 | Speed Agreement Detection Level | 0.0 to 400.0 Hz | 0.0 Hz  |

Refer to H2-01: Terminal MA/MB/MC Function Selection on page 103, Settings 2, 4, and 5.

### ■ L4-07: Speed Agreement Detection Selection

Determines when frequency detection is active using parameter L4-01.

| No.   | Name                                | Setting Range | Default |
|-------|-------------------------------------|---------------|---------|
| L4-07 | Speed Agreement Detection Selection | 0 or 1        | 0       |

**Setting 0: No Detection During Baseblock**

**Setting 1: Detection Always Enabled**

### ◆ L5: Fault Restart

The drive can be set up to perform a self-diagnostic check and resume the operation after a fault has occurred. When the self-check is successful and the cause of the fault has disappeared the drive will restart.

The drive can attempt to restart itself following the faults listed below.

Table 5.17 Restart Faults

| Setting | Function         | Setting | Function                  |
|---------|------------------|---------|---------------------------|
| oC      | (Overcurrent)    | ov      | (DC Bus Overvoltage)      |
| oH1     | (Drive Overheat) | PF      | (Input Phase Loss)        |
| oL1     | (Motor Overload) | rH      | (Braking Resistor Fault)  |
| oL2     | (Drive Overload) | Uv1     | (DC Bus Undervoltage) </> |
| oL3     | (Overtorque 1)   |         |                           |

<1> When L2-01 is set to 1 or 2 (continue operation during momentary power loss)

Use parameter L5-01 to set up automatic fault restart.

To output a signal during fault restart, set H2-01 to 1E.

### ■ L5-01: Number of Auto Restart Attempts

Sets the number of times that the drive may attempt to restart itself.

| No.   | Name                    | Setting Range | Default |
|-------|-------------------------|---------------|---------|
| L5-01 | Number of Auto Restarts | 0 to 10       | 0       |

The restart counter is incremented at each restart attempt, regardless of whether the attempt was successful. When the counter reaches the number set in L5-01 the operation stops and the fault has to be reset manually after correcting the cause.

The number of fault restarts is reset back to zero when:

- The drive operates normally for ten minutes following a fault restart.
- A fault is cleared manually after protective functions are triggered.
- The power supply is cycled.

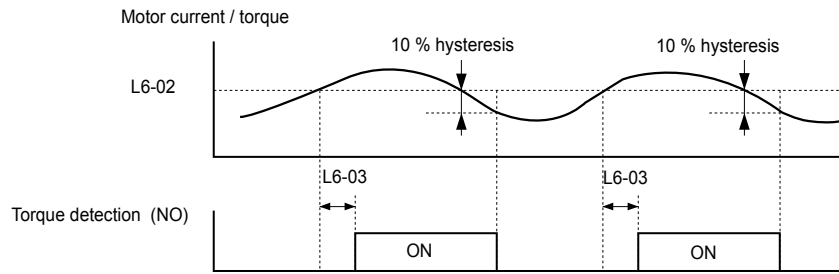
### ◆ L6: Torque Detection

The drive provides a torque detection function that triggers an alarm or fault signal when the load is too heavy (oL). It is set up using the L6-□□ parameters. To indicate an overload condition to an external device, the digital output should be programmed as shown below.

| H2-01 Setting | Description   |
|---------------|---|
| B             | Torque detection 1, N.O. (output close when overload is detected) |
| 17            | Torque detection 1, N.C. (output opens when overload is detected) |

Figure 5.37 shows the function of overtorque detection.

## 5.7 L: Protection Functions



**Figure 5.37 Overtorque Detection Operation**

**Note:** The torque detection function uses a hysteresis of 10% of the drive rated output current/motor rated torque.

**Note:** When overtorque occurs in the application, the drive may stop due to overcurrent (oC) or overload (oL1). To prevent this, an overload situation should be indicated to the controller before oC or oL1 occur in the drive. Use the torque detection for this purpose.

### ■ L6-01: Torque Detection Selection

The torque detection function is triggered when the current/torque exceeds the levels set in parameter L6-02 for longer than the time set in L6-03. The parameters L6-01 select the detection condition and the operation at detection.

| No.   | Name                       | Setting Range | Default |
|-------|----------------------------|---------------|---------|
| L6-01 | Torque Detection Selection | 0 to 4        | 0       |

#### Setting 0: Disabled

#### Setting 1: oL3 at Speed Agree - Alarm

Overtorque detection is active only when the output speed is equal to the frequency reference, i.e., no detection during acceleration and deceleration. The operation continues after detection and an oL3 alarm is triggered.

#### Setting 2: oL3 at Run - Alarm

Overtorque detection works whenever a Run command is active. The operation continues after detection and an oL3 alarm is triggered.

#### Setting 3: oL3 at Speed Agree - Fault

Overtorque detection is active only when the output speed is equal to the frequency reference, i.e., no detection during acceleration and deceleration. The operation is stopped and an oL3 fault is triggered.

#### Setting 4: oL3 at Run - Fault

Overtorque detection works whenever a Run command is active. The operation is stopped and an oL3 fault is triggered.

### ■ L6-02: Torque Detection Level

These parameters the detection levels for the torque detection function.

| No.   | Name                   | Setting Range | Default |
|-------|------------------------|---------------|---------|
| L6-02 | Torque Detection Level | 0 to 300%     | 150%    |

### ■ L6-03: Torque Detection Time

These parameters set the time that the levels set in L6-02 have to be exceeded before an alarm/fault is triggered.

| No.   | Name                  | Setting Range | Default |
|-------|-----------------------|---------------|---------|
| L6-03 | Torque Detection Time | 0.0 to 10.0 s | 0.1 s   |

## ◆ L8: Hardware Protection

### ■ L8-01: Internal Dynamic Braking Resistor Protection Selection (ERF type)

This parameter selects the dynamic braking resistor protection when using an optional heatsink mounted braking resistor (ERF type, 3% ED).

| No.   | Name                                 | Setting Range | Default |
|-------|--------------------------------------|---------------|---------|
| L8-01 | Internal Braking Resistor Protection | 0 or 1        | 0       |

**Setting 0: Disabled**

Disables the braking resistor protection. Use this setting for any braking option other than the Yaskawa ERF Type resistor.

**Setting 1: Enabled**

Enables the protection for ERF type resistors.

**■ L8-05: Input Phase Loss Protection Selection**

Enables or disables the input phase loss detection.

| No.   | Name                                 | Setting Range | Default |
|-------|--------------------------------------|---------------|---------|
| L8-05 | Input Phase Loss Detection Selection | 0 or 1        | 1       |

**Setting 0: Disabled****Setting 1: Enabled**

Enables the input phase loss detection. As detection is performed by measuring the DC bus ripple, a phase loss fault (PF) can also be triggered by power supply voltage imbalance or main circuit capacitor deterioration. Detection is disabled when:

- The drive is decelerating.
- No Run command is active.
- Output current is less than or equal to 30% of the drive rated current.

**■ L8-10: Heatsink Cooling Fan Operation Selection**

Selects the heatsink cooling fan operation.

| No.   | Name                    | Setting Range | Default |
|-------|-------------------------|---------------|---------|
| L8-10 | Fan Operation Selection | 0 or 1        | 0       |

**Setting 0: Run with Timer**

The fan is switched on when a Run command is active. It is switched off 60 s after the Run command has been released. Using this setting extends the fan lifetime.

**Setting 1: Run always**

The fan runs whenever power is supplied to the drive.

**■ L8-12: Ambient Temperature Setting**

If the temperature where the drive is mounted is above the specified values, the drive rated current must be reduced for optimal performance life. By setting the ambient temperature to parameter L8-12 and adjusting the installation method setting in L8-35, the drive rating automatically adapts to safe values.

| No.   | Name                        | Setting Range | Default |
|-------|-----------------------------|---------------|---------|
| L8-12 | Ambient Temperature Setting | -10 to +50 °C | 30 °C   |

**■ L8-18: Software Current Limit Selection**

The Software Current Limit (CLA) is a drive protection function that prevents output transistor failures caused by high current. Parameter L8-18 enables or disables this function.

**Note:** This setting should not be changed unless absolutely necessary. For proper drive protection and operation leave the Software CLA function enabled.

| No.   | Name                             | Setting Range | Default |
|-------|----------------------------------|---------------|---------|
| L8-18 | Software Current Limit Selection | 0 or 1        | 1       |

**Setting 0: Disabled**

The drive may trip on an oC fault if the load is too heavy or the acceleration is too short.

**Setting 1: Enabled**

When the soft CLA current level is reached, the drive reduces the output voltage in order to reduce the current. If the current level drops below the Software CLA level, then normal operation will continue.

## 5.7 L: Protection Functions

### ■ L8-35: Installation Method Selection

Selects the type of installation and changes the drive overload (oL2) limits accordingly.

- Note:**
1. This parameter is not reset when the drive is initialized.
  2. The value is preset to the appropriate value when the drive is shipped. Change the value only when using Side-by-Side installation or when mounting a standard drive with the heatsink outside the cabinet.

| No.   | Name                          | Setting Range | Default |
|-------|-------------------------------|---------------|---------|
| L8-35 | Installation Method Selection | 0 to 3        | 0       |

#### Setting 0: IP20/IP00 Drive

Must be selected if an IP20/IP00 drive is installed with minimal 30 mm space to the next drive or a cabinet wall.

#### Setting 1: Side-by-Side Mounting

Must be selected if drives are Side-by-Side mounted with a minimum space of 2 mm.

#### Setting 2: NEMA Type 1 Drive

Must be selected if the drive has a NEMA Type 1 enclosure or if the drive is an IP20/Open-Chassis drive fitted with the NEMA Type 1 Kit option.

#### Setting 3: Finless Drive or External Heatsink Installation

Must be selected for finless drives or if a standard drive is mounted with the heatsink outside the cabinet.

### ■ L8-38: Carrier Frequency Reduction Selection

The drive can reduce the carrier frequency when the output current exceeds a certain level. This temporarily increases the overload capability (oL2 detection) and the drive can run through transient load peaks without tripping.

L8-38 selects the operation of the carrier frequency reduction function.

| No.   | Name                                  | Setting Range | Default |
|-------|---------------------------------------|---------------|---------|
| L8-38 | Carrier Frequency Reduction Selection | 0 to 2        | 1       |

#### Setting 0: Disabled

No carrier frequency reduction at high current.

#### Setting 1: Enabled for Output Frequencies below 6 Hz

The carrier frequency is reduced at speeds below 6 Hz when the current exceeds 100% of the drive rated current. The drive returns to its normal carrier frequency when the current falls below 88% or the output frequency exceeds 7 Hz.

#### Setting 2: Enabled for Entire Frequency Range

The carrier frequency is reduced at the following speeds:

- Below 6 Hz when the current exceeds 100% of the drive rated current.
- Above 7 Hz when the current exceeds 112% of the drive rated current.

The drive uses the delay time of 0.5 s and a hysteresis of 12% when switching the carrier frequency back to the set value.



## 5.8 n: Special Adjustments

The n parameters handle a variety of specialized adjustments and functions, including Hunting Prevention.

### ◆ n1: Hunting Prevention

Hunting Prevention keeps the drive from hunting as a result of low inertia and operating with light load.

#### ■ n1-02: Hunting Prevention Gain Setting

Sets the gain for the Hunting Prevention Function.

| No.   | Name                            | Setting Range | Default |
|-------|---------------------------------|---------------|---------|
| n1-02 | Hunting Prevention Gain Setting | 0.00 to 2.50  | 1.00    |

Normally, n1-02 does not need to be changed, but adjustment may help under the following conditions:

- If the motor vibrates while lightly loaded increase the gain by 0.1 until vibration ceases.
- If the motor stalls decrease the gain by 0.1 until the stalling ceases.

### ◆ n3: Overexcitation Deceleration

Overexcitation deceleration increases the flux during deceleration and allows shorter deceleration time settings than with normal deceleration without the use of a braking resistor. Enabled by setting L3-04 = 4.

#### Notes on Overexcitation Deceleration

- As regenerative energy is mainly dissipated as heat in the motor, the motor temperature will rise if overexcitation deceleration is applied frequently. In such cases, make sure the motor temperature does not exceed the maximum allowable value or consider using a braking resistor option instead.
- The drive decelerates at the active deceleration time. Make sure to set this time so that no overvoltage (ov) fault occurs.
- When a Run command is entered during overexcitation deceleration, overexcitation operation is cancelled and the drive will reaccelerate to the specified speed.
- Do not use overexcitation deceleration in combination with a braking resistor option.

Use parameter n3-13 for adjusting overexcitation deceleration.

#### ■ n3-13: Overexcitation Deceleration Gain

Applies a gain to the V/f pattern output value during overexcitation deceleration, thereby determining the level of overexcitation. The drive returns to the normal V/f value after the motor has stopped or when it is accelerating to the frequency reference.

| No.   | Name                             | Setting Range | Default |
|-------|----------------------------------|---------------|---------|
| n3-13 | Overexcitation Deceleration Gain | 1.00 to 1.40  | 1.10    |

The optimum setting for n3-13 depends on the motor flux saturation characteristics.

- Increase the gain by 1.25 to 1.30 to improve the braking power of overexcitation.
- Reduce the value when the motor slip gets too high, which can trigger overcurrent (oC), motor overload (oL1), or drive overload (oL2) faults.

## 5.9 o: Operator Related Settings

These parameters concern the various functions and features of the digital operator.

### ◆ o1: Display Settings and Selections

These parameters determine how data is shown on the operator display.

#### ■ o1-02: User Monitor Selection after Power Up

Selects which monitor parameter will be displayed upon power up. Defaulted to show the frequency reference when the drive is first turned on.

| No.   | Name                                  | Setting Range | Default |
|-------|---------------------------------------|---------------|---------|
| o1-02 | User Monitor Selection after Power Up | 1 to 4        | 1       |

**Setting 1: Frequency Reference (U1-01)**

**Setting 2: Forward/Reverse**

**Setting 3: Output Frequency (U1-02)**

**Setting 4: Output Current (U1-03)**

#### ■ o1-03: Digital Operator Display Selection

Sets the units used to display the frequency reference and output frequency.

| No.   | Name                               | Setting Range | Default |
|-------|------------------------------------|---------------|---------|
| o1-03 | Digital Operator Display Selection | 0 or 1        | 0       |

**Setting 0: 0.01 Hz Units**

**Setting 1: 0.01% Units (100% = Max. Output Frequency)**

**Note:** Parameter o1-03 allows the user to change units used in the following parameters and monitors:  
 U1-01, Frequency Reference  
 U1-02, Output Frequency  
 d1-01 to d1-08, Frequency References 1 to 8

### ◆ o2: Operator Key Selections

These parameters determine the functions assigned to the operator keys.

#### ■ o2-02: STOP Key Function Selection

Selects if the STOP key on the digital operator can be used to stop the operation when the drive is controlled from a remote source (i.e., not from digital operator).

| No.   | Name                        | Setting Range | Default |
|-------|-----------------------------|---------------|---------|
| o2-02 | STOP Key Function Selection | 0 or 1        | 1       |

**Setting 0: Disabled**

The STOP key has no function when the drive is controlled by a source other than the digital operator. The drive can only be stopped from the Run command source that has been selected.

**Setting 1: Enabled**

The STOP key can be used to terminate the operation, even if the Run command source is not assigned to the digital operator. If operation has been interrupted by pressing the STOP key, the Run command must be cycled to restart the drive.

#### ■ o2-04: Drive Model Selection

Parameter o2-04 matches the control board to the drive hardware. Proper setting of o2-04 is important for optimal performance and proper protection for the drive hardware. This parameter is configured at the factory and does not normally require adjustment in the field. It is available primarily to accommodate control board replacement in the event of damage.

| No.   | Name                  | Setting Range | Default                 |
|-------|-----------------------|---------------|-------------------------|
| o2-04 | Drive Model Selection | -             | Depending on drive size |

- Note:**
1. Refer to *Defaults by Drive Model and Duty Rating ND/HD on page 206* for a list of o2-04 settings and parameters that change depending on the drive model selection.
  2. Drive performance will suffer if the correct drive capacity is not set to o2-04, and protective functions will fail to operate properly.
  3. This parameter is not reset to the default value when the drive is initialized using A1-03.

### ■ o2-05: Frequency Reference Setting Method Selection

Determines if the ENTER key must be used to input a frequency reference from the digital operator.

| No.   | Name   | Setting Range | Default |
|-------|--|---------------|---------|
| o2-05 | Frequency Reference Setting Method Selection | 0 or 1        | 0       |

#### Setting 0: ENTER Key Required

Every change in the frequency reference setting on the digital operator has to be finalized by pressing the ENTER key before it becomes effective.

#### Setting 1: ENTER Key Not Required

The output frequency changes immediately when the reference is changed by the UP and DOWN key on the digital operator. The ENTER key does not need to be pressed. The frequency reference is saved five seconds after the Up or DOWN key has been released.

If an undervoltage (Uv) error occurs within 5 seconds of pressing the ENTER key, the frequency reference will not be saved to memory. The digital operator display flashes when settings can be made to the frequency reference.



Figure 5.38 Ready to Set Frequency Reference

### ■ o2-06: Operation Selection when LED Operator is Disconnected

Determines if the drive will stop when an external LED operator (JVOP-182) is removed in LOCAL mode or with b1-02 set to 0.

| No.   | Name                                     | Setting Range | Default |
|-------|--|---------------|---------|
| o2-06 | Digital Operator Disconnection Operation | 0 or 1        | 0       |

#### Setting 0: Continue Operation

The operation is continued.

#### Setting 1: Trigger a Fault

The operation is stopped and an “oPr” fault is triggered. The motor coasts to stop.

## ◆ o3: Copy Function

Use o3 parameters to Read, Copy, and Verify the parameter settings to and from the drive using an LED operator (option).

### ■ o3-01: Copy Function Selection

This parameter controls the copying of parameters to and from the LED operator (option). The copy function will change certain parameter default settings depending on the regional specification of the drive.

| No.   | Name                    | Setting Range | Default |
|-------|-------------------------|---------------|---------|
| o3-01 | Copy Function Selection | 0 to 3        | 0       |

#### 0: COPY SELECT (no function)

## 5.9 o: Operator Related Settings

### 1: INV --> OP READ

All parameters are copied from the drive to the digital operator.

**Note:** Set o3-02 to 1 to unlock copy protection.

### 2: OP --> INV WRITE

All parameters are copied from the digital operator to the drive.

### 3: OP<-->INV VERIFY

Parameter settings in the drive are compared to those in the digital operator.

**Note:** Setting 3 is only available when using the LED operator option (JVOP-182).

### ■ o3-02: Copy Allowed Selection

Prevents accidentally overwriting the data stored in the operator.

| No.   | Name                   | Setting Range | Default |
|-------|------------------------|---------------|---------|
| o3-02 | Copy Allowed Selection | 0 to 1        | 0       |

### 0: READ Prohibited

The data in the operator are write protected. The READ operation cannot be performed.

### 1: READ Permitted

The data in the operator are not write protected. The READ operation can be performed.

## ◆ o4: Maintenance Monitor Settings

### ■ o4-01: Accumulated Operation Time Setting

Parameter o4-01 sets the cumulative operation time and allows the user to set the starting value of the accumulated operation time displayed in monitor U4-01.

**Note:** The value in o4-01 is set in 10 h units. For example, a setting of 30 will set the cumulative operation time counter to 300 h. 300 h will also be displayed in monitor U4-01.

| No.   | Name                               | Setting Range | Default |
|-------|------------------------------------|---------------|---------|
| o4-01 | Accumulated Operation Time Setting | 0 to 9999     | 0       |

### ■ o4-02: Accumulated Operation Time Selection

Selects the conditions for what is to be considered “accumulated operation time.” Accumulated operation time is displayed in U4-01.

| No.   | Name                                 | Setting Range | Default |
|-------|--------------------------------------|---------------|---------|
| o4-02 | Accumulated Operation Time Selection | 0 or 1        | 0       |

### Setting 0: Power On Time

The drive logs the time it is connected to a power supply, no matter if the motor is running or not.

### Setting 1: Run Time

The drive logs the time that the output is active, i.e., whenever a Run command is active (even if the motor is not rotating) or a voltage is output.

### ■ o4-03: Cooling Fan Maintenance Setting

Sets the value of the cooling fan operation time base value used for the maintenance value displayed in U4-04. Be sure to reset this parameter back to 0 if the cooling fan is replaced.

**Note:**

1. The value in o4-03 is set in 10 h units.
2. The actual maintenance time depends on the environment the drive is used in.

| No.   | Name                       | Setting Range | Default |
|-------|----------------------------|---------------|---------|
| o4-03 | Cooling Fan Operation Time | 0 to 9999     | 0       |

### ■ o4-05: Capacitor Maintenance Setting

Sets value of the maintenance monitor for the DC bus capacitors displayed in U4-05 as a percentage of the total expected performance life. This value should be reset to 0 when the DC bus capacitors have been replaced.

**Note:** The actual maintenance time will depend on the environment the drive is used in.

| No.   | Name                          | Setting Range | Default |
|-------|-------------------------------|---------------|---------|
| o4-05 | Capacitor Maintenance Setting | 0 to 150%     | 0%      |

### ■ o4-07: DC Bus Pre-charge Relay Maintenance Setting

Sets the value of the softcharge bypass relay maintenance time displayed in U4-06 as a percentage of the total expected performance life. This value should be reset to 0 when the relay has been replaced.

**Note:** The maintenance actual time depends on the environment the drive is used in.

| No.   | Name  | Setting Range | Default |
|-------|---|---------------|---------|
| o4-07 | DC Bus Pre-charge Relay Maintenance Setting | 0 to 150%     | 0%      |

### ■ o4-09: IGBT Maintenance Setting

Sets the value of the IGBT maintenance time displayed in U4-07 as a percentage of the total expected performance life. This value should be reset to 0 when the IGBTs have been replaced.

**Note:** The actual maintenance time depends on the environment the drive is used in.

| No.   | Name                     | Setting Range | Default |
|-------|--------------------------|---------------|---------|
| o4-09 | IGBT Maintenance Setting | 0 to 150%     | 0%      |

### ■ o4-11: U2 Initialization

When the drive is initialized, the fault history monitors (U2-□□) are not reset. Parameter o4-11 can be used to initialize them.

| No.   | Name              | Setting Range | Default |
|-------|-------------------|---------------|---------|
| o4-11 | U2 Initialization | 0 or 1        | 0       |

#### Setting 0: No Action

The drive keeps a record of the fault history.

#### Setting 1: Reset Fault Data

Resets the data for the U2-□□ monitors. Once o4-11 is set to 1 and the ENTER key is pressed, the fault data are erased and the display returns to 0.

### 5.10 U: Monitor Parameters

Monitor parameters let the user view various aspects of drive performance as it is shown on the operator display.

Some monitors can be output from terminal AM by assigning the specific monitor parameter number to H4-01. *Refer to [H4-01: Multi-Function Analog Terminal AM Monitor Selection on page 110](#) for details on assigning functions to the analog output.*

---

#### ◆ U1: Operation Status Monitors

Status monitors display drive status like output frequency, current etc. Refer to U1: Operation Status Monitors on page [203](#) for a complete list of U1-□□ monitors and descriptions.

---

#### ◆ U2: Fault History

The fault history monitors can be used to view the current and the last occurred fault. Refer to U2: Fault History on page [204](#) for a list of U2-□□ monitors and descriptions.

U2-□□ monitors are not reset when the drive is initialized. *Refer to [o4-11: U2 Initialization on page 125](#) for instructions to initialize the fault history.*

---

#### ◆ U4: Maintenance Monitors

Maintenance monitors show:

- Runtime data of the drive.
- Maintenance data and replacement information for various drive components.
- Highest peak current that has occurred and output frequency at the time the peak current occurred.

Refer to U4: Maintenance Monitors on page [204](#) for a complete list of U4-□□ monitors and descriptions.

# Troubleshooting

---

This chapter provides descriptions of the drive faults, alarms, errors, related displays, and possible solutions. This chapter can also serve as a reference guide for tuning the drive during a trial run.

|            |   |            |
|------------|---|------------|
| <b>6.1</b> | <b>SECTION SAFETY.....</b>                        | <b>128</b> |
| <b>6.2</b> | <b>MOTOR PERFORMANCE FINE TUNING.....</b>         | <b>130</b> |
| <b>6.3</b> | <b>DRIVE ALARMS, FAULTS, AND ERRORS.....</b>      | <b>131</b> |
| <b>6.4</b> | <b>FAULT DETECTION.....</b>                       | <b>133</b> |
| <b>6.5</b> | <b>ALARM DETECTION.....</b>                       | <b>141</b> |
| <b>6.6</b> | <b>OPERATOR PROGRAMMING ERRORS.....</b>           | <b>145</b> |
| <b>6.7</b> | <b>DIAGNOSING AND RESETTING FAULTS.....</b>       | <b>147</b> |
| <b>6.8</b> | <b>TROUBLESHOOTING WITHOUT FAULT DISPLAY.....</b> | <b>148</b> |

## 6.1 Section Safety

### DANGER

#### Electrical Shock Hazard

**Do not connect or disconnect wiring while the power is on.**

Failure to comply will result in death or serious injury.

### WARNING

#### Electrical Shock Hazard

**Do not operate equipment with covers removed.**

Failure to comply could result in death or serious injury.

The diagrams in this section may illustrate drives without covers or safety shields to display details. Be sure to reinstall covers or shields before operating the drives and run the drives according to the instructions described in this manual.

**Always ground the motor-side grounding terminal.**

Improper equipment grounding could result in death or serious injury by contacting the motor case.

**Do not touch terminals before the capacitors have fully discharged.**

Failure to comply could result in death or serious injury.

Before wiring terminals, disconnect all power to the equipment. The internal capacitor remains charged even after the drive input power is turned off. The charge indicator LED will extinguish when the DC bus voltage is below 50 Vdc. To prevent electric shock, wait at least one minute after all indicators are off and measure the DC bus voltage level to confirm safe level.

**Do not allow unqualified personnel to perform work on the drive.**

Failure to comply could result in death or serious injury.

Installation, maintenance, inspection and servicing must be performed only by authorized personnel familiar with installation, adjustment and maintenance of AC drives.

**Do not perform work on the drive while wearing loose clothing, jewelry, or without eye protection.**

Failure to comply could result in death or serious injury.

Remove all metal objects such as watches and rings, secure loose clothing and wear eye protection before beginning work on the drive.

**Do not remove covers or touch circuit boards while the power is on.**

Failure to comply could result in death or serious injury.

#### Fire Hazard

**Tighten all terminal screws to the specified tightening torque.**

Loose electrical connections could result in death or serious injury by fire due to overheating of electrical connections.

**Do not use an improper voltage source.**

Failure to comply could result in death or serious injury by fire.

Verify that the rated voltage of the drive matches the voltage of the incoming drive input power before applying power.

**Do not use improper combustible materials.**

Failure to comply could result in death or serious injury by fire.

Attach the drive to metal or other noncombustible material.



**NOTICE**

**Observe proper electrostatic discharge procedures (ESD) when handling the drive and circuit boards.**

Failure to comply may result in ESD damage to the drive circuitry.

**Never connect or disconnect the motor from the drive while the drive is outputting voltage.**

Improper equipment sequencing could result in damage to the drive.

**Do not use unshielded cable for control wiring.**

Failure to comply may cause electrical interference resulting in poor system performance. Use shielded twisted-pair wires and ground the shield to the ground terminal of the drive.

**Do not allow unqualified personnel to use the product.**

Failure to comply could result in damage to the drive or braking circuit.

Carefully review instruction manual TOBPC72060000 when connecting a braking option to the drive.

**Do not modify the drive circuitry.**

Failure to comply could result in damage to the drive and will void warranty.

Yaskawa is not responsible for modification of the product made by the user.

**Check all the wiring after installing the drive and connecting other devices to ensure that all connections are correct.**

Failure to comply could result in damage to the drive.

## 6.2 Motor Performance Fine Tuning

This section offers helpful information for counteracting oscillation, hunting, or other faults that occur while performing a trial run.

**Note:** This section describes parameters that are commonly edited. Consult Yaskawa for more information on detailed settings and fine-tuning the drive.

### ◆ Parameters for Tuning the Drive

**Table 6.1 Parameters for Tuning the Drive**

| Problem  | Parameter  | Corrective Action   | Default Value                        | Suggested Setting       |
|--|--|---|--------------------------------------|-------------------------|
| <ul style="list-style-type: none"> <li>Motor hunting and oscillation at speeds between 10 and 40 Hz</li> </ul>                   | Hunting Prevention Gain (n1-02)                                | <ul style="list-style-type: none"> <li>If insufficient motor torque relative to the size of the load causes hunting, reduce the setting.</li> <li>When motor hunting and oscillation occur with a light load, increase the setting.</li> <li>Lower this setting if hunting occurs when using a motor with a relatively low inductance, such as a high-frequency motor or a motor with a larger frame size.</li> </ul> | 1.00                                 | 0.00 to 2.00            |
| <ul style="list-style-type: none"> <li>Motor noise</li> <li>Motor hunting and oscillation at speeds up to 40 Hz</li> </ul>       | Carrier Frequency Selection (C6-02)                            | <ul style="list-style-type: none"> <li>If the motor noise is too loud, increase the carrier frequency.</li> <li>When motor hunting and oscillation occur at speeds up to 40 Hz, lower the carrier frequency.</li> <li>The default setting for the carrier frequency depends on the drive capacity (o2-04) and the Drive Duty Selection (C6-01).</li> </ul>  | 7 (Swing PWM)                        | 1 to 7                  |
| <ul style="list-style-type: none"> <li>Poor motor torque at speeds below 10 Hz</li> <li>Motor hunting and oscillation</li> </ul> | Torque Compensation Gain (C4-01)                               | <ul style="list-style-type: none"> <li>If motor torque is insufficient at speeds below 10 Hz, increase the setting.</li> <li>If motor hunting and oscillation with a relatively light load, decrease the setting.</li> </ul>  | 1.00                                 | 0.50 to 1.50            |
| <ul style="list-style-type: none"> <li>Poor motor torque at low speeds</li> <li>Motor instability at motor start</li> </ul>      | Mid Output Voltage A (E1-08)<br>Minimum Output Voltage (E1-10) | <ul style="list-style-type: none"> <li>If torque is insufficient at speeds below 10 Hz, increase the setting.</li> <li>If motor instability occurs at motor start, decrease the setting.</li> </ul> <p><b>Note:</b> The recommended setting value is for 200 V class drives. Double this value when using a 400 V class drive.</p>  | E1-08:<br>18.4 V<br>E1-10:<br>13.8 V | Initial value $\pm 5$ V |
| <ul style="list-style-type: none"> <li>Poor speed precision</li> </ul>   | Slip Compensation Gain (C3-01)                                 | <ul style="list-style-type: none"> <li>After setting the motor-rated current (E2-01), motor-rated slip (E2-02) and motor no-load current (E2-03), adjust the slip compensation gain (C3-01).</li> </ul>   | -                                    | 0.5 to 1.5              |

**Note:** Use slip compensation to improve speed precision. First make sure that the proper values have been set for the motor rated current to E2-01, motor rated slip (E2-02), and motor no-load current (E2-03). Next, adjust the slip compensation gain set to C3-01 so that it is between 0.5 to 1.5.

### ◆ Motor Hunting and Oscillation Control Parameters

The following parameters indirectly affect motor hunting and oscillation.

**Table 6.2 Parameters that Affect Control Performance in Applications**

| Name (Parameter No.)                          | Application   |
|---|---|
| Accel/Decel Time (C1-01 through C1-09)        | Adjusting accel and decel times will affect the torque presented to the motor during acceleration or deceleration.  |
| S-Curve Characteristics (C2-01 through C2-04) | Prevents shock at the beginning and end of acceleration and deceleration.   |
| Jump Frequency (d3-01 through d3-04)          | Skips over the resonant frequencies of connected machinery.   |
| Analog Filter Time Constant (H3-13)           | Prevents fluctuation in the analog input signal due to noise.   |
| Stall Prevention (L3-01 through L3-06)        | <ul style="list-style-type: none"> <li>Prevents motor speed loss and overvoltage. Used when the load is too heavy and also during sudden acceleration/deceleration.</li> <li>Adjustment is not normally required because Stall Prevention is enabled as a default. Disable Stall Prevention during deceleration (L3-04 = "0") when using a braking resistor.</li> </ul> |

## 6.3 Drive Alarms, Faults, and Errors

### ◆ Types of Alarms, Faults, and Errors

Check the LED operator for information about possible faults if the drive or motor fails to operate. *Refer to Using the Digital LED Operator on page 58.*

If problems occur that are not covered in this manual, contact the nearest Yaskawa representative with the following information:

- Drive model
- Software version
- Date of purchase
- Description of the problem

**Table 6.3** contains descriptions of the various types of alarms, faults, and errors that may occur while operating the drive. Contact Yaskawa in the event of drive failure.

**Table 6.3 Types of Alarms, Faults, and Errors**

| Type                           | Drive Responses to Alarms, Faults, and Errors  |
|--------------------------------|--|
| <b>Faults</b>                  | <p>When the drive detects a fault:</p> <ul style="list-style-type: none"> <li>• The digital operator displays text that indicates the specific fault and the ALM indicator LED remains lit until the fault is reset.</li> <li>• The fault interrupts drive output and the motor coasts to a stop.</li> <li>• Depending on the setting, the drive and motor may stop via different methods than listed.</li> <li>• If a digital output is programmed for fault output (H2-01 = E), it will close if a fault occurs.</li> </ul> <p>When the drive detects a fault, it will remain inoperable until that fault has been reset. <i>Refer to Fault Reset Methods on page 147.</i></p> |
| <b>Minor Faults and Alarms</b> | <p>When the drive detects an alarm or a minor fault:</p> <ul style="list-style-type: none"> <li>• The digital operator displays text that indicates the specific alarm or minor fault and the ALM indicator LED flashes.</li> <li>• The motor does not stop.</li> <li>• The multi-function contact output closes if set to be tripped by a minor fault (H2-01 = 10), but not by an alarm.</li> <li>• The digital operator displays text indicating a specific alarm and ALM indicator LED flashes.</li> </ul> <p>Remove the cause of an alarm or minor fault to automatically reset.</p>   |
| <b>Operation Errors</b>        | <p>When parameter settings conflict with one another or do not match hardware settings (such as with an option unit), it results in an operation error.</p> <p>When the drive detects an operation error:</p> <ul style="list-style-type: none"> <li>• The digital operator displays text that indicates the specific error.</li> <li>• The multi-function contact output does not operate.</li> </ul> <p>When the drive detects an operation error, it will not operate the motor until the error has been reset. Correct the settings that caused the operation error to reset.</p>  |

### ◆ Alarm and Error Displays

#### ■ Faults

When the drive detects a fault, the ALM indicator LEDs remain lit without flashing. If the LEDs flash, the drive has detected a minor fault or alarm. *Refer to Minor Faults and Alarms on page 132* for more information. Conditions such as overvoltage or external faults can trip both faults and minor faults, therefore it is important to note whether the LEDs remain lit or if the LEDs flash.

**Table 6.4 Fault Displays**

| Digital Operator Display | Name | Pg.                 | Digital Operator Display                     | Name                          | Pg.                  |                     |
|--------------------------|------|---------------------|--|-------------------------------|----------------------|---------------------|
| $\llbracket E$           | CE   | <a href="#">133</a> | $\llbracket PF00$ or $\llbracket PF01 < \gg$ | CPF11 – RAM Fault             | <a href="#">133</a>  |                     |
| $\llbracket oF$          | CoF  | <a href="#">133</a> |  | CPF12 – FLASH Memory Fault    | <a href="#">133</a>  |                     |
|                          |      |                     |  | CPF14 – Control Circuit Fault | <a href="#">133</a>  |                     |
|                          |      |                     |  | CPF17 – Timing Fault          | <a href="#">133</a>  |                     |
|                          |      |                     |  | CPF18 – Control Circuit Fault | <a href="#">133</a>  |                     |
|                          |      |                     | $\llbracket PF02$                            | CPF02                         | A/D Conversion Error | <a href="#">133</a> |

## 6.3 Drive Alarms, Faults, and Errors

| Digital Operator Display                     |                | Name  | Pg.                 | Digital Operator Display |       | Name                      | Pg.                 |
|--|----------------|---|---------------------|--------------------------|-------|---------------------------|---------------------|
| $\overline{CPF06}$                           | CPF06          | Drive Specification Mismatch during Terminal Board or Control Board Replacement | <a href="#">133</a> | $\overline{LF}$          | LF    | Output Phase Loss         | <a href="#">135</a> |
| $\overline{CPF08}$                           | CPF08          | EEPROM Serial Communications Fault  | <a href="#">134</a> | $\overline{oC}$          | oC    | Overcurrent               | <a href="#">135</a> |
| $\overline{CPF20}$ or $\overline{CPF21}$ <3> | CPF20 or CPF21 | RAM Fault   | <a href="#">134</a> | $\overline{oFAD1}$ <3>   | oFA01 | Option Unit Fault         | <a href="#">136</a> |
|  |                | FLASH Memory Fault  | <a href="#">134</a> | $\overline{oH1}$         | oH1   | Heatsink Overheat         | <a href="#">136</a> |
|  |                | Watchdog Circuit Exception  | <a href="#">134</a> | $\overline{oL1}$         | oL1   | Motor Overload            | <a href="#">136</a> |
|  |                | Clock Fault   | <a href="#">134</a> | $\overline{oL2}$         | oL2   | Drive Overload            | <a href="#">137</a> |
| $\overline{CPF22}$                           | CPF22          | A/D Conversion Error  | <a href="#">134</a> | $\overline{oL3}$         | oL3   | Overtorque Detection 1    | <a href="#">137</a> |
| $\overline{CPF23}$                           | CPF23          | PWM Feedback Data Fault   | <a href="#">134</a> | $\overline{oPr}$         | oPr   | Operator Connection Fault | <a href="#">138</a> |
| $\overline{CPF24}$                           | CPF24          | Drive Capacity Signal Fault   | <a href="#">134</a> | $\overline{ov}$          | ov    | Overvoltage               | <a href="#">138</a> |
| $\overline{EF0}$                             | EF0            | Option External Fault   | <a href="#">134</a> | $\overline{PF}$          | PF    | Input Phase Loss          | <a href="#">138</a> |
| $\overline{EF1}$ to $\overline{EF5}$         | EF1 to EF5     | External Fault (input terminal S1 to S5)  | <a href="#">134</a> | $\overline{rH}$          | rH    | Dynamic Braking Resistor  | <a href="#">139</a> |
| $\overline{Err}$                             | Err            | EEPROM Write Error  | <a href="#">135</a> | $\overline{Uv1}$ <3>     | Uv1   | Undervoltage              | <a href="#">139</a> |
|  |                |   |                     | $\overline{Uv3}$         | Uv3   | Soft Charge Circuit Fault | <a href="#">139</a> |

<1> Displayed as  $\overline{CPF00}$  when occurring at drive power up. When one of the faults occurs after successfully starting the drive, the display will show  $\overline{CPF01}$ .

<2> Displayed as  $\overline{CPF20}$  when occurring at drive power up. When one of the faults occurs after successfully starting the drive, the display will show  $\overline{CPF21}$ .

<3> Uv1 fault is not saved to the fault history

### ■ Minor Faults and Alarms

When a minor fault or alarm occurs, the ALM LED flashes and the text display shows an alarm code. A fault has occurred if the text remains lit and does not flash. [Refer to Alarm Detection on page 141](#). An overvoltage situation, for example, can trigger both faults and minor faults. It is therefore important to note whether the LEDs remain lit or if the LEDs flash.

Table 6.5 Minor Fault and Alarm Displays

| Digital Operator Display             |            | Name                                     | Minor Fault Output (H2-□□ = 10) | Pg.                 |
|--------------------------------------|------------|--|---------------------------------|---------------------|
| $\overline{bb}$                      | bb         | Drive Baseblock                          | No output                       | <a href="#">141</a> |
| $\overline{CALL}$                    | CALL       | Serial Communication Transmission Error  | YES                             | <a href="#">141</a> |
| $\overline{CE}$                      | CE         | MEMOBUS/Modbus Communication Error       | YES                             | <a href="#">141</a> |
| $\overline{CrST}$                    | CrST       | Can Not Reset                            | YES                             | <a href="#">142</a> |
| $\overline{EF}$                      | EF         | Run Command Input Error                  | YES                             | <a href="#">142</a> |
| $\overline{EF1}$ to $\overline{EF5}$ | EF1 to EF5 | External Fault (input terminal S1 to S5) | YES                             | <a href="#">142</a> |
| $\overline{oH}$                      | oH         | Heatsink Overheat                        | YES                             | <a href="#">142</a> |
| $\overline{oL3}$                     | oL3        | Overtorque 1                             | YES                             | <a href="#">143</a> |
| $\overline{ov}$                      | ov         | Overvoltage                              | YES                             | <a href="#">143</a> |
| $\overline{PASS}$                    | PASS       | MEMOBUS/Modbus Test Mode Complete        | No output                       | <a href="#">143</a> |
| $\overline{SE}$                      | SE         | MEMOBUS/Modbus Test Mode Fault           | YES                             | <a href="#">143</a> |
| $\overline{Uv}$                      | Uv         | Undervoltage                             | YES                             | <a href="#">143</a> |

### ■ Operation Errors

Table 6.6 Operation Error Displays

| Digital Operator Display |       | Name                               | Pg.                 | Digital Operator Display |       | Name                            | Pg.                 |
|--------------------------|-------|------------------------------------|---------------------|--------------------------|-------|---------------------------------|---------------------|
| $\overline{oPE01}$       | oPE01 | Drive Unit Setting Error           | <a href="#">145</a> | $\overline{oPE05}$       | oPE05 | Run Command Selection Error     | <a href="#">145</a> |
| $\overline{oPE02}$       | oPE02 | Parameter Setting Range Error      | <a href="#">145</a> | $\overline{oPE10}$       | oPE10 | V/f Data Setting Error          | <a href="#">146</a> |
| $\overline{oPE03}$       | oPE03 | Multi-Function Input Setting Error | <a href="#">145</a> | $\overline{oPE11}$       | oPE11 | Carrier Frequency Setting Error | <a href="#">146</a> |

## 6.4 Fault Detection

### ◆ Fault Displays, Causes, and Possible Solutions

Table 6.7 Detailed Fault Displays, Causes, and Possible Solutions

| Digital Operator Display                                 |    | Fault Name   |
|--|----|--|
| $\text{CE}$  | CE | MEMOBUS/Modbus Communication Error   |
|  |    | No data was received for longer than 2 seconds.  |
| <b>Cause</b>   |    | <b>Possible Solution</b>   |
| Faulty communications wiring, or a short circuit exists. |    | <ul style="list-style-type: none"> <li>• Check for faulty wiring.</li> <li>• Correct the wiring.</li> <li>• Check for loose wiring and short circuits. Repair as needed.</li> </ul>  |
| A communications data error occurred due to noise.       |    | <ul style="list-style-type: none"> <li>• Check the various options available to minimize the effects of noise.</li> <li>• Counteract noise in control circuit, main circuit, and ground wiring.</li> <li>• Use Yaskawa-recommended cables, or another type of shielded line. Ground the shield on the controller side or on the drive input power side.</li> <li>• Ensure that other equipment such as switches or relays do not cause noise and use surge suppressors if required.</li> <li>• Separate all wiring for communications devices from drive input power lines. Install an EMC noise filter to the input side of the drive input power.</li> </ul> |

| Digital Operator Display   |     | Fault Name  |
|--|-----|---|
| $\text{CoF}$   | CoF | Current Offset Fault  |
|  |     | The current sensor is damaged or there was residual induction current in the motor (e.g., during sudden deceleration or when coasting) when the drive attempted to start the motor. |
| <b>Cause</b>   |     | <b>Possible Solution</b>  |
| Due to residual induction current in the motor when the drive attempted to start the motor, the drive attempted to adjust the current offset value beyond the allowable range. |     | Create a motor restart sequence that allows enough time for the residual induction voltage to dissipate.  |

| Digital Operator Display         |                | Fault Name   |
|----------------------------------|----------------|--|
| $\text{CPF00}$ or $\text{CPF01}$ | CPF00 or CPF01 | CPF11 – RAM Fault<br>CPF12 – Problem with the ROM (FLASH memory)<br>CPF14 – CPU error (CPU operates incorrectly due to noise, etc.)<br>CPF17 – A timing error occurred during an internal process<br>CPF18 – CPU error (CPU operates incorrectly due to noise, etc.) |
| <b>Cause</b>                     |                | <b>Possible Solution</b>   |
| Hardware is damaged.             |                | Replace the drive.   |

| Digital Operator Display                                      |       | Fault Name  |
|---|-------|---|
| $\text{CPF02}$  | CPF02 | A/D Conversion Error  |
|   |       | An A/D conversion error occurred.   |
| <b>Cause</b>  |       | <b>Possible Solution</b>  |
| Control circuit is damaged.                                   |       | Cycle power to the drive. If the problem continues, replace the drive.  |
| Control circuit terminals have shorted out (+V, AC).          |       | <ul style="list-style-type: none"> <li>• Check for wiring errors along the control circuit terminals.</li> <li>• Correct the wiring.</li> </ul>             |
|   |       | Check the resistance of the speed potentiometer and related wiring.   |
| Control terminal input current has exceeded allowable levels. |       | <ul style="list-style-type: none"> <li>• Check the input current.</li> <li>• Reduce the current input to control circuit terminal (+V) to 20 mA.</li> </ul> |

| Digital Operator Display    |       | Fault Name   |
|-----------------------------|-------|--|
| $\text{CPF06}$              | CPF06 | EEPROM Data Error  |
|                             |       | There is an error in the data saved to EEPROM.                         |
| <b>Cause</b>                |       | <b>Possible Solution</b>   |
| Control circuit is damaged. |       | Cycle power to the drive. If the problem continues, replace the drive. |

## 6.4 Fault Detection

| Digital Operator Display   |  | Fault Name   |
|--|--|--|
| The power supply was switched off when parameters were written (e.g., using a communications option card). |  | <ul style="list-style-type: none"> <li>• Cycle power to the drive and check operation again.</li> <li>• Initialize the drive using A1-03.</li> <li>• If the problem persists after initializing the drive, replace the drive.</li> </ul> |

| Digital Operator Display    |       | Fault Name   |
|-----------------------------|-------|--|
| <i>CPF08</i>                | CPF08 | EEPROM Serial Communication Fault<br>EEPROM communications are not functioning properly. |
| <b>Cause</b>                |       | <b>Possible Solution</b>   |
| Control circuit is damaged. |       | Cycle power to the drive. If the problem persists, replace the drive.                    |

| Digital Operator Display |                | Fault Name  |
|--------------------------|----------------|---|
| <i>CPF20 or CPF21</i>    | CPF20 or CPF21 | One of the following faults occurred: RAM fault, FLASH memory error, watchdog circuit exception, clock error <ul style="list-style-type: none"> <li>• RAM fault.</li> <li>• FLASH memory error (ROM error).</li> <li>• Watchdog circuit exception (self-diagnostic error).</li> <li>• Clock error.</li> </ul> |
| <b>Cause</b>             |                | <b>Possible Solution</b>  |
| Hardware is damaged.     |                | Replace the drive.  |

| Digital Operator Display    |       | Fault Name  |
|-----------------------------|-------|---|
| <i>CPF22</i>                | CPF22 | A/D Conversion Fault<br>A/D conversion error.   |
| <b>Cause</b>                |       | <b>Possible Solution</b>  |
| Control circuit is damaged. |       | <ul style="list-style-type: none"> <li>• Cycle power to the drive. <a href="#">Refer to Diagnosing and Resetting Faults on page 147.</a></li> <li>• If the problem continues, replace the drive.</li> </ul> |

| Digital Operator Display |       | Fault Name                                |
|--------------------------|-------|---|
| <i>CPF23</i>             | CPF23 | PWM Feedback Fault<br>PWM feedback error. |
| <b>Cause</b>             |       | <b>Possible Solution</b>                  |
| Hardware is damaged.     |       | Replace the drive.                        |

| Digital Operator Display |       | Fault Name   |
|--------------------------|-------|--|
| <i>CPF24</i>             | CPF24 | Drive Capacity Signal Fault<br>Entered a capacity that does not exist. (Checked when the drive is powered up.) |
| <b>Cause</b>             |       | <b>Possible Solution</b>   |
| Hardware is damaged.     |       | Replace the drive.   |

| Digital Operator Display  |     | Fault Name   |
|---|-----|--|
| <i>EF0</i>  | EF0 | MEMOBUS/Modbus Communication External Fault<br>An external fault condition is present.   |
| <b>Cause</b>  |     | <b>Possible Solution</b>   |
| An external fault was received from the PLC with other than H5-04 = 3 “alarm only” (the drive continued to run after external fault). |     | <ul style="list-style-type: none"> <li>• Remove the cause of the external fault.</li> <li>• Remove the external fault input from the PLC.</li> </ul> |
| Problem with the PLC program.   |     | Check the PLC program and correct problems.  |

| Digital Operator Display |     | Fault Name  |
|--------------------------|-----|---|
| <i>EF1</i>               | EF1 | External Fault (input terminal S1)<br>External fault at multi-function input terminal S1. |
| <i>EF2</i>               | EF2 | External Fault (input terminal S2)<br>External fault at multi-function input terminal S2. |
| <i>EF3</i>               | EF3 | External Fault (input terminal S3)<br>External fault at multi-function input terminal S3. |

| Digital Operator Display                            |     | Fault Name  |
|---|-----|---|
| EF4   | EF4 | External Fault (input terminal S4)  |
|   |     | External fault at multi-function input terminal S4.   |
| EF5   | EF5 | External Fault (input terminal S5)  |
|   |     | External fault at multi-function input terminal S5.   |
| <b>Cause</b>  |     | <b>Possible Solution</b>  |
| An external device has tripped an alarm function.   |     | Remove the cause of the external fault and reset the fault.   |
| Wiring is incorrect.                                |     | <ul style="list-style-type: none"> <li>Ensure the signal lines have been connected properly to the terminals assigned for external fault detection (H1-□□ = 20 to 2F).</li> <li>Reconnect the signal line.</li> </ul> |
| Incorrect setting of multi-function contact inputs. |     | <ul style="list-style-type: none"> <li>Check if the unused terminals set for H1-□□ = 20 to 2F (External Fault).</li> <li>Change the terminal settings.</li> </ul>   |

| Digital Operator Display |     | Fault Name   |
|--------------------------|-----|--|
| Err                      | Err | EEPROM Write Error   |
|                          |     | Data does not match the EEPROM being written to.   |
| <b>Cause</b>             |     | <b>Possible Solution</b>   |
| -                        |     | <ul style="list-style-type: none"> <li>Press the ENTER button.</li> <li>Correct the parameter settings.</li> <li>Cycle power to the drive. <i>Refer to Diagnosing and Resetting Faults on page 147.</i></li> </ul> |

| Digital Operator Display   |    | Fault Name  |
|--|----|---|
| LF   | LF | Output Phase Loss   |
|  |    | Phase loss on the output side of the drive.   |
| <b>Cause</b>   |    | <b>Possible Solution</b>  |
| The output cable is disconnected.                                |    | <ul style="list-style-type: none"> <li>Check for wiring errors and ensure the output cable is connected properly.</li> <li>Correct the wiring.</li> </ul>                                       |
| The motor winding is damaged.                                    |    | <ul style="list-style-type: none"> <li>Check the resistance between motor lines.</li> <li>Replace the motor if the winding is damaged.</li> </ul>   |
| The output terminal is loose.                                    |    | <ul style="list-style-type: none"> <li>Apply the tightening torque specified in this manual to fasten the terminals. <i>Refer to Wire Size and Torque Specifications on page 45.</i></li> </ul> |
| The motor being used is less than 5% of the drive rated current. |    | Check the drive and motor capacities.   |
| An output transistor is damaged.                                 |    | Replace the drive.  |
| A single-phase motor is being used.                              |    | The drive being used cannot operate a single phase motor.   |

| Digital Operator Display  |    | Fault Name   |
|---|----|--|
| oC  | oC | Overcurrent  |
|   |    | Drive sensors have detected an output current greater than the specified overcurrent level.  |
| <b>Cause</b>  |    | <b>Possible Solution</b>   |
| The motor has been damaged due to overheating or the motor insulation is damaged. |    | <ul style="list-style-type: none"> <li>Check the insulation resistance.</li> <li>Replace the motor.</li> </ul>   |
| One of the motor cables has shorted out or there is a grounding problem.          |    | <ul style="list-style-type: none"> <li>Check the motor cables.</li> <li>Remove the short circuit and power the drive back up.</li> <li>Check the resistance between the motor cables and the ground terminal ⊕.</li> <li>Replace damaged cables.</li> </ul>  |
| The load is too heavy.  |    | <ul style="list-style-type: none"> <li>Measure the current flowing into the motor.</li> <li>Replace the drive with a larger capacity unit if the current value exceeds the rated current of the drive.</li> <li>Determine if there is sudden fluctuation in the current level.</li> <li>Reduce the load to avoid sudden changes in the current level or switch to a larger drive.</li> </ul> |

## 6.4 Fault Detection

| Digital Operator Display  | Fault Name   |
|---|--|
| The acceleration or deceleration times are too short.   | Calculate the torque needed during acceleration relative to the load inertia and the specified acceleration time.<br>If the right amount of torque cannot be set, make the following changes: <ul style="list-style-type: none"> <li>• Increase the acceleration time (C1-01, C1-03)</li> <li>• Increase the S-curve characteristics (C2-01 through C2-04)</li> <li>• Increase the capacity of the drive.</li> </ul> |
| The drive is attempting to operate a specialized motor or a motor larger than the maximum size allowed. | <ul style="list-style-type: none"> <li>• Check the motor capacity.</li> <li>• Ensure that the rated capacity of the drive is greater than or equal to the capacity rating found on the motor nameplate.</li> </ul>   |
| Magnetic contactor (MC) on the output side of the drive has turned on or off.                           | Set up the operation sequence so that the MC is not tripped while the drive is outputting current.   |
| V/f setting is not operating as expected.   | <ul style="list-style-type: none"> <li>• Check the ratios between the voltage and frequency.</li> <li>• Set parameters E1-04 through E1-10 appropriately.</li> <li>• Lower the voltage if it is too high relative to the frequency.</li> </ul>   |
| Excessive torque compensation.  | <ul style="list-style-type: none"> <li>• Check the amount of torque compensation.</li> <li>• Reduce the torque compensation gain (C4-01) until there is no speed loss and less current.</li> </ul>   |
| Drive fails to operate properly due to noise interference.  | <ul style="list-style-type: none"> <li>• Review the possible solutions provided for handling noise interference.</li> <li>• Review the section on handling noise interference and check the control circuit lines, main circuit lines, and ground wiring.</li> </ul>   |
| Overexcitation gain is set too high.  | <ul style="list-style-type: none"> <li>• Check if fault occurs simultaneously to overexcitation function operation.</li> <li>• Consider motor flux saturation and reduce the value of n3-13 (Overexcitation Deceleration Gain).</li> </ul>   |
| Run command applied while motor was coasting.   | Program the Speed Search command input through one of the multi-function contact input terminals (H1-□□ = 61 or 62).   |
| The motor cable is too long   | Use a larger drive.  |

| Digital Operator Display                                | Fault Name  |
|---|---|
| oFA01   | Option Unit Fault                                 |
|   | Replace the option unit.                          |
| <b>Cause</b>  | <b>Possible Solution</b>                          |
| The option unit is not connected properly to the drive. | Turn the power off and reconnect the option unit. |

| Digital Operator Display   | Fault Name  |
|--|---|
| oH1  | Overheat 1 (Heatsink Overheat)  |
|  | The temperature of the heatsink has exceeded the overheat pre-alarm level.  |
| <b>Cause</b>   | <b>Possible Solution</b>  |
| Surrounding temperature is too high.   | <ul style="list-style-type: none"> <li>• Check the temperature surrounding the drive.</li> <li>• Improve the air circulation within the enclosure panel.</li> <li>• Install a fan or air conditioner to cool the surrounding area.</li> <li>• Remove anything near the drive that might be producing excessive heat.</li> </ul> |
| Load is too heavy.   | <ul style="list-style-type: none"> <li>• Measure the output current.</li> <li>• Lower the carrier frequency (C6-02).</li> <li>• Reduce the load.</li> </ul>   |
| Current flowing to control circuit terminal +V exceeded the tolerance level. | <ul style="list-style-type: none"> <li>• Check the current level of the terminal.</li> <li>• Set the current to the control circuit terminal to be 20 mA or less.</li> </ul>  |

| Digital Operator Display  | Fault Name  |
|---|---|
| oL1   | Motor Overload  |
|   | The electrothermal sensor tripped overload protection.<br><b>Note:</b> The integrated value of the internal register for oL1 must decrease before oL1 can be reset. |
| <b>Cause</b>  | <b>Possible Solution</b>  |
| Load is too heavy.  | Reduce the load.  |
| Cycle times are too short during acceleration and deceleration. | Increase the acceleration and deceleration times (C1-01 through C1-04).   |



| Digital Operator Display   | Fault Name   |
|--|--|
| <ul style="list-style-type: none"> <li>Drive overloaded at low speeds.</li> <li>Overload may occur at low speeds when using a general-purpose motor, even if operating within the rated current limitation.</li> </ul> | <ul style="list-style-type: none"> <li>Reduce the load.</li> <li>Increase the speed.</li> <li>If the drive is supposed to operate at low speeds, either increase the motor capacity or use a motor specifically designed to operate with the drive.</li> </ul>   |
| Although a special type of motor is being used, the motor protection selection is set for a general-purpose motor (L1-01 = 1).   | Set L1-01 to 2.  |
| Voltage is too high for the V/f characteristics.   | <ul style="list-style-type: none"> <li>Adjust the user set V/f patterns (E1-04 through E1-10). Parameters E1-08 and E1-10 may need to be reduced.</li> <li>If E1-08 and E1-10 are set too high, there may be very little load tolerance at low speed.</li> </ul>   |
| The wrong motor-rated current is set to E2-01.   | <ul style="list-style-type: none"> <li>Check the motor-rated current.</li> <li>Enter the value written on the motor nameplate to parameter E2-01.</li> </ul>   |
| The motor base frequency for the drive input power is set too low.   | <ul style="list-style-type: none"> <li>Check the rated frequency indicated on the motor nameplate.</li> <li>Enter the rated frequency to E1-06 (Base Frequency).</li> </ul>  |
| Multiple motors are running off the same drive.  | Set L1-01 to 0 to disable the Motor Protection function and install a thermal relay to each motor.   |
| The electrical thermal protection characteristics and motor overload characteristics do not match.   | <ul style="list-style-type: none"> <li>Check the motor characteristics.</li> <li>Correct the value set to L1-01 (Motor Protection Function).</li> <li>Install an external thermal relay.</li> </ul>  |
| The electrical thermal relay is operating at the wrong level.  | <ul style="list-style-type: none"> <li>Check the current rating listed on the motor nameplate.</li> <li>Check the value set for the motor-rated current (E2-01).</li> </ul>  |
| Motor overheated by overexcitation operation.  | <ul style="list-style-type: none"> <li>Overexcitation increases the motor losses and the motor temperature. If applied too long, motor damage can occur. Prevent excessive overexcitation operation or apply proper cooling to the motor</li> <li>Reduce the excitation deceleration gain (n3-13).</li> <li>Set L3-04 (Stall Prevention during Deceleration) to a value other than 4.</li> </ul> |
| Output current fluctuation due to input phase loss   | Check the power supply for phase loss.   |

| Digital Operator Display  | Fault Name  |
|---|---|
| oL2   | oL2   |
|   | Drive Overload  |
|   | The thermal sensor of the drive triggered overload protection.  |
| <b>Cause</b>  | <b>Possible Solution</b>  |
| Load is too heavy.  | Reduce the load.  |
| Cycle times are too short during acceleration and deceleration. | Increase the settings for the acceleration and deceleration times (C1-01 through C1-04).  |
| Voltage is too high for the V/f characteristics.                | <ul style="list-style-type: none"> <li>Adjust the preset V/f pattern (E1-04 through E1-10). This will mainly involve reducing E1-08 and E1-10.</li> <li>Be careful not to lower E1-08 and E1-10 excessively because this reduces load tolerance at low speeds.</li> </ul> |
| Drive capacity is too small.                                    | Replace the drive with a larger model.  |
| Overload occurred when operating at low speeds.                 | <ul style="list-style-type: none"> <li>Reduce the load when operating at low speeds.</li> <li>Replace the drive with a model that is one frame size larger.</li> <li>Lower the carrier frequency (C6-02).</li> </ul>  |
| Excessive torque compensation.                                  | Reduce the torque compensation gain (C4-01) until there is no speed loss but less current.  |
| Output current fluctuation due to input phase loss              | Check the power supply for phase loss.  |

| Digital Operator Display   | Fault Name  |
|--|---|
| oL3  | oL3   |
|  | Overtorque Detection 1  |
|  | The current has exceeded the value set for torque detection (L6-02) for longer than the allowable time (L6-03). |
| <b>Cause</b>   | <b>Possible Solution</b>  |
| Parameter settings are not appropriate for the type of load.           | Check the settings of parameters L6-02 and L6-03.   |
| There is a fault on the machine side (e.g., the machine is locked up). | Check the status of the load. Remove the cause of the fault.  |

## 6.4 Fault Detection

| Digital Operator Display                                  |     | Fault Name  |
|---|-----|---|
| oPr   | oPr | External Digital Operator Connection Fault  |
|   |     | <ul style="list-style-type: none"> <li>The external operator has been disconnected from the drive.</li> </ul> <p><b>Note:</b> An oPr fault will occur when all of the following conditions are true:</p> <ul style="list-style-type: none"> <li>Output is interrupted when the operator is disconnected (o2-06 = 1).</li> <li>The run command is assigned to the operator (b1-02 = 0 and LOCAL has been selected).</li> </ul> |
| <b>Cause</b>  |     | <b>Possible Solution</b>  |
| External operator is not properly connected to the drive. |     | <ul style="list-style-type: none"> <li>Check the connection between the operator and the drive.</li> <li>Replace the cable if damaged.</li> <li>Turn off the drive input power and disconnect the operator. Next reconnect the operator and turn the drive input power back on.</li> </ul>  |

| Digital Operator Display  |    | Fault Name   |
|---|----|--|
| ov  | ov | Overvoltage  |
|   |    | Voltage in the DC bus has exceeded the overvoltage detection level. <ul style="list-style-type: none"> <li>For 200 V class: approximately 410 V</li> <li>For 400 V class: approximately 820 V (740 V when E1-01 is less than 400)</li> </ul>   |
| <b>Cause</b>  |    | <b>Possible Solution</b>   |
| Deceleration time is too short and regenerative energy flows from the motor into the drive. |    | <ul style="list-style-type: none"> <li>Increase the deceleration time (C1-02, C1-04).</li> <li>Install a braking resistor or a dynamic braking resistor unit.</li> <li>Set L3-04 to 1 to enable stall prevention during deceleration. Stall prevention is enabled as the default setting.</li> </ul> |
| Excessive braking load.   |    | The braking torque was too high, causing regenerative energy to charge the DC bus. Reduce the braking torque, use a braking option, or lengthen decel time.  |
| Surge voltage entering from the drive input power.  |    | Install a DC link choke.<br><b>Note:</b> Voltage surge can result from thyristor convertor and phase advancing capacitor using same drive main input power supply.   |
| Ground fault in the output circuit causing the DC bus capacitor to overcharge.              |    | <ul style="list-style-type: none"> <li>Check the motor wiring for ground faults.</li> <li>Correct grounding shorts and turn the power back on.</li> </ul>  |
| Excessive regeneration when overshoot occurs after acceleration.                            |    | Lengthen the S-curve at acceleration end.  |
| Drive input power voltage is too high.  |    | <ul style="list-style-type: none"> <li>Check the voltage.</li> <li>Lower drive input power voltage within the limits listed in the specifications.</li> </ul>  |
| The dynamic braking transistor is damaged.  |    | Replace the drive.   |
| The braking transistor is wired incorrectly.  |    | <ul style="list-style-type: none"> <li>Check braking transistor wiring for errors.</li> <li>Properly rewire the braking resistor device.</li> </ul>  |
| Drive fails to operate properly due to noise interference.                                  |    | <ul style="list-style-type: none"> <li>Review the list of possible solutions provided for controlling noise.</li> <li>Review the section on handling noise interference and check the control circuit lines, main circuit lines and ground wiring.</li> </ul>  |
| Motor hunting occurs.   |    | <ul style="list-style-type: none"> <li>Adjust the parameters that control hunting.</li> <li>Set the hunting prevention gain (n1-02).</li> </ul>  |

| Digital Operator Display   |    | Fault Name   |
|--|----|--|
| PF   | PF | Input Phase Loss   |
|  |    | Drive input power has an open phase or has a large imbalance of voltage between phases. Detected when L8-05 = 1 (enabled).   |
| <b>Cause</b>   |    | <b>Possible Solution</b>   |
| There is phase loss in the drive input power.                    |    | <ul style="list-style-type: none"> <li>Check for wiring errors in the main circuit drive input power.</li> <li>Correct the wiring.</li> </ul>  |
| There is loose wiring in the drive input power terminals.        |    | <ul style="list-style-type: none"> <li>Ensure the terminals are tightened properly.</li> <li>Apply the tightening torque specified in this manual to fasten the terminals. <i>Refer to Wire Gauges and Tightening Torques on page 40</i> for details.</li> </ul>   |
| There is excessive fluctuation in the drive input power voltage. |    | <ul style="list-style-type: none"> <li>Check the voltage from the drive input power.</li> <li>Review the possible solutions for stabilizing the drive input power.</li> <li>Disable Input Phase Loss Detection (L8-05 = "0"). PF is detected if DC bus ripple is too high. If it is disabled, there is no fault but the ripple is still too high, thereby the capacitors are stressed more and lose lifetime.</li> </ul> |

| Digital Operator Display                      |  | Fault Name   |
|---|--|--|
| There is poor balance between voltage phases. |  | <ul style="list-style-type: none"> <li>Stabilize drive input power or disable phase loss detection.</li> </ul>   |
| The main circuit capacitors are worn.         |  | <ul style="list-style-type: none"> <li>Check the maintenance time for the capacitors (U4-05).</li> <li>Replace the drive if U4-05 is greater than 90%.</li> <li>Check for anything wrong with the drive input power.</li> <li>If nothing is wrong with the drive input power, try the following solutions if the alarm continues:               <ul style="list-style-type: none"> <li>Set L8-05 to 0 to disable Input Phase Loss Protection selection. PF is detected when DC bus ripple is too high. If it is disabled, there is no fault but the ripple is still too high, the capacitors are stressed more and lose lifetime.</li> </ul> </li> <li>Replace the drive.</li> </ul> |

| Digital Operator Display  |    | Fault Name   |
|---|----|--|
| $rH$  | rH | Braking Resistor Overheat  |
|   |    | Braking resistor protection was triggered.<br>Fault detection is enabled when L8-01 = 1 (disabled as a default).   |
| <b>Cause</b>  |    | <b>Possible Solution</b>   |
| Deceleration time is too short and excessive regenerative energy is flowing back into the drive.  |    | <ul style="list-style-type: none"> <li>Check the load, deceleration time and speed.</li> <li>Reduce the load.</li> <li>Increase the acceleration and deceleration times (C1-01 through C1-04).</li> <li>Replace the braking option with a larger device that can handle the power that is discharged.</li> </ul> |
| Excessive braking inertia.  |    | Recalculate braking load and braking power. Then try reducing the braking load and checking the braking resistor settings and improve braking capacity.  |
| The proper braking resistor has not been installed.   |    | <ul style="list-style-type: none"> <li>Check the specifications and conditions for the braking resistor device.</li> <li>Select the optimal braking resistor.</li> </ul>   |
| <b>Note:</b> The magnitude of the braking load trips the braking resistor overheat alarm, NOT the surface temperature. Using the braking resistor more frequently than its rating trips the alarm even when the braking resistor surface is not very hot. |    |  |

| Digital Operator Display  |     | Fault Name  |
|---|-----|---|
| $Uv1$   | Uv1 | DC Bus Undervoltage   |
|   |     | One of the following conditions occurred while the drive was in operation: <ul style="list-style-type: none"> <li>Voltage in the DC bus fell below the undervoltage detection level.</li> <li>For 200 V class: approximately 190 V (160 V for single phase drives)</li> <li>For 400 V class: approximately 380 V (350 V when E1-01 is less than 400) The fault is output only if L2-01 = 0 or L2-01 = 1 and the DC bus voltage is under L2-05 for longer than L2-02.</li> </ul> |
| <b>Cause</b>  |     | <b>Possible Solution</b>  |
| Input power phase loss.   |     | <ul style="list-style-type: none"> <li>The main circuit drive input power is wired incorrectly.</li> <li>Correct the wiring.</li> </ul>   |
| One of the drive input power wiring terminals is loose.   |     | <ul style="list-style-type: none"> <li>Ensure there are no loose terminals.</li> <li>Apply the tightening torque specified in this manual to fasten the terminals. <i>Refer to Wire Gauges and Tightening Torques on page 40</i> for details.</li> </ul>  |
| There is a problem with the voltage from the drive input power.                                   |     | <ul style="list-style-type: none"> <li>Check the voltage.</li> <li>Correct the voltage to within range listed in drive input power specifications.</li> </ul>   |
| The power has been interrupted.   |     | Correct the drive input power.  |
| Drive internal circuitry has become worn.   |     | <ul style="list-style-type: none"> <li>Check the maintenance time for the capacitors (U4-05).</li> <li>Replace the drive if U4-05 exceeds 90%.</li> </ul>   |
| The drive input power transformer is not large enough and voltage drops after switching on power. |     | Check the capacity of the drive input power transformer.  |
| Air inside the drive is too hot.  |     | Check the drive internal temperature.   |
| Problem with the CHARGE indicator.  |     | Replace the drive.  |

| Digital Operator Display |     | Fault Name                                       |
|--------------------------|-----|--|
| $Uv3$                    | Uv3 | Undervoltage 3 (Inrush Prevention Circuit Fault) |
|                          |     | The inrush prevention circuit has failed.        |
| <b>Cause</b>             |     | <b>Possible Solution</b>                         |

## 6.4 Fault Detection

---

| Digital Operator Display                                   | Fault Name   |
|--|--|
| The contactor on the inrush prevention circuit is damaged. | <ul style="list-style-type: none"><li>• Cycle power to the drive. Check if the fault reoccurs.</li><li>• Replace the drive if the fault continues to occur.</li><li>• Check monitor U4-06 for the performance life of the inrush prevention circuit.</li><li>• Replace the drive if U4-06 exceeds 90%.</li></ul> |

## 6.5 Alarm Detection

Alarms are drive protection functions that do not operate the fault contact. The drive will return to original status when the cause of the alarm has been removed.

During an alarm condition, the Digital Operator display flashes and an alarm output is generated at the multi-function output (H2-01), if programmed.

Investigate the cause of the alarm and refer to [Table 6.8](#) for the appropriate action.

### ◆ Alarm Codes, Causes, and Possible Solutions

Table 6.8 Detailed Alarm Codes, Causes, and Possible Solutions

| Digital Operator Display   |      | Minor Fault Name   |                          |
|--|------|--|--------------------------|
| <i>bb</i>  | bb   | Baseblock<br>Drive output interrupted as indicated by an external baseblock signal.  |                          |
| Cause  |      | Possible Solution  | Minor Fault (H2-□□ = 10) |
| External baseblock signal entered via multi-function input terminal (S1 to S5).                              |      | Check external sequence and baseblock signal input timing.   | No output                |
| Digital Operator Display   |      | Minor Fault Name   |                          |
| <i>CALL</i>  | CALL | Serial Communication Transmission Error<br>Communication has not yet been established.   |                          |
| Cause  |      | Possible Solution  | Minor Fault (H2-□□ = 10) |
| Communications wiring is faulty, there is a short circuit, or something is not connected properly.           |      | <ul style="list-style-type: none"> <li>Check for wiring errors.</li> <li>Correct the wiring.</li> <li>Remove and ground shorts and reconnect loose wires.</li> </ul>   | YES                      |
| Programming error on the master side.  |      | Check communications at start-up and correct programming errors.   |                          |
| Communications circuitry is damaged.   |      | <ul style="list-style-type: none"> <li>Perform a self-diagnostics check.</li> <li>Replace the drive if the fault continues to occur.</li> </ul>  |                          |
| Terminal resistance setting is incorrect.  |      | The terminal slave drive must have the internal terminal resistance switch set correctly. Place DIP switch S2 to the ON position.  |                          |
| Digital Operator Display   |      | Minor Fault Name   |                          |
| <i>CE</i>  | CE   | MEMOBUS/Modbus Communication Error<br>Control data was not received correctly for two seconds.   |                          |
| Cause  |      | Possible Solution  | Minor Fault (H2-□□ = 10) |
| A data error occurred due to noise.  |      | <ul style="list-style-type: none"> <li>Check options available to minimize the effects of noise.</li> <li>Counteract noise in the control circuit wiring, main circuit lines and ground wiring.</li> <li>Reduce noise on the controller side.</li> <li>Use surge absorbers on magnetic contactors or other equipment causing the disturbance.</li> <li>Use cables recommended by Yaskawa or another type of shielded line. The shield should be grounded on the controller side or on the drive input power side.</li> <li>Separate all wiring for communications devices from drive input power lines. Install an EMC noise filter to the input side of the drive input power.</li> </ul> | YES                      |
| Communication protocol is incompatible.  |      | <ul style="list-style-type: none"> <li>Check the H5 parameter settings as well as the protocol setting in the controller.</li> <li>Ensure settings are compatible.</li> </ul>  |                          |
| The CE detection time (H5-09) is set shorter than the time required for a communication cycle to take place. |      | <ul style="list-style-type: none"> <li>Check the PLC.</li> <li>Change the software settings in the PLC.</li> <li>Set a longer CE detection time (H5-09).</li> </ul>  |                          |
| Incompatible PLC software settings or there is a hardware problem.   |      | <ul style="list-style-type: none"> <li>Check the PLC.</li> <li>Remove the cause of the error on the controller side.</li> </ul>  |                          |
| Communications cable is disconnected or damaged.   |      | <ul style="list-style-type: none"> <li>Check the connector for a signal through the cable.</li> <li>Replace the communications cable.</li> </ul>   |                          |

## 6.5 Alarm Detection

| Digital Operator Display                                       |      | Minor Fault Name  |                          |
|--|------|---|--------------------------|
| CrST   | CrST | Can Not Reset   |                          |
| Cause  |      | Possible Solution   | Minor Fault (H2-□□ = 10) |
| Fault reset was being executed when a Run command was entered. |      | <ul style="list-style-type: none"> <li>Ensure that a run command cannot be entered from the external terminals or option card during fault reset.</li> <li>Turn off the Run command.</li> </ul> | YES                      |

| Digital Operator Display |    | Minor Fault Name   |                          |
|--------------------------|----|--|--------------------------|
| EF                       | EF | Forward/Reverse Run Command Input Error  |                          |
|                          |    | Both forward run and reverse run closed simultaneously for longer than 0.5 s.  |                          |
| Cause                    |    | Possible Solution  | Minor Fault (H2-□□ = 10) |
| Sequence error           |    | Check the forward and reverse command sequence and correct the problem.<br><b>Note:</b> Motor ramps to stop when minor fault EF is detected. | YES                      |

| Digital Operator Display                           |     | Minor Fault Name  |                          |
|--|-----|---|--------------------------|
| EF1  | EF1 | External fault (input terminal S1)  |                          |
|  |     | External fault at multi-function input terminal S1.   |                          |
| EF2  | EF2 | External fault (input terminal S2)  |                          |
|  |     | External fault at multi-function input terminal S2.   |                          |
| EF3  | EF3 | External fault (input terminal S3)  |                          |
|  |     | External fault at multi-function input terminal S3.   |                          |
| EF4  | EF4 | External fault (input terminal S4)  |                          |
|  |     | External fault at multi-function input terminal S4.   |                          |
| EF5  | EF5 | External fault (input terminal S5)  |                          |
|  |     | External fault at multi-function input terminal S5.   |                          |
| Cause  |     | Possible Solution   | Minor Fault (H2-□□ = 10) |
| An external device has tripped an alarm function.  |     | Remove the cause of the external fault and reset the multi-function input value.  | YES                      |
| Wiring is incorrect.                               |     | <ul style="list-style-type: none"> <li>Ensure the signal lines have been connected properly to the terminals assigned for external fault detection (H1-□□ = 20 to 2F).</li> <li>Reconnect the signal line.</li> </ul> |                          |
| Multi-function contact inputs are set incorrectly. |     | <ul style="list-style-type: none"> <li>Check if the unused terminals have been set for H1-□□ = 20 to 2F (External Fault).</li> <li>Change the terminal settings.</li> </ul>   |                          |

| Digital Operator Display                |    | Minor Fault Name   |                          |
|---|----|--|--------------------------|
| oH                                      | oH | Heatsink Overheat  |                          |
|   |    | The temperature exceeded the value set to L8-02.   |                          |
| Cause                                   |    | Possible Solution  | Minor Fault (H2-□□ = 10) |
| Surrounding temperature is too high     |    | <ul style="list-style-type: none"> <li>Check the surrounding temperature.</li> <li>Improve the air circulation within the enclosure panel.</li> <li>Install a fan or air conditioner to cool surrounding area.</li> <li>Remove anything near drive that may cause extra heat.</li> </ul>   | YES                      |
| Internal cooling fan has stopped.       |    | <ul style="list-style-type: none"> <li>Replace the cooling fan. <i>Refer to Cooling Fan Replacement on page 163.</i></li> <li>After replacing the fan, reset the cooling fan maintenance parameter to (o4-03 = "0").</li> </ul>  |                          |
| Airflow around the drive is restricted. |    | <ul style="list-style-type: none"> <li>Provide proper installation space around the drive as indicated in the manual. <i>Refer to on page 27.</i></li> <li>Allow for the specified space and ensure that there is sufficient circulation around the control panel.</li> <li>Check for dust or foreign materials clogging cooling fan.</li> <li>Clear debris caught in the fan that restricts air circulation.</li> </ul> |                          |

| Digital Operator Display   |     | Minor Fault Name   |                          |
|--|-----|--|--------------------------|
| <i>oL3</i>   | oL3 | Overtorque 1   |                          |
|  |     | Drive output current was greater than L6-02 for longer than the time set in L6-03.   |                          |
| Cause  |     | Possible Solution  | Minor Fault (H2-□□ = 10) |
| Inappropriate parameter settings.                                      |     | Check parameters L6-02 and L6-03.  | YES                      |
| There is a fault on the machine side (e.g., the machine is locked up). |     | <ul style="list-style-type: none"> <li>• Check the status of the machine.</li> <li>• Remove the cause of the fault.</li> </ul> |                          |

| Digital Operator Display  |    | Minor Fault Name  |                          |
|---|----|---|--------------------------|
| <i>ov</i>   | ov | DC Bus Overvoltage  |                          |
|   |    | The DC bus voltage exceeded the trip point.<br>For 200 V class: approximately 410 V<br>For 400 V class: approximately 820 V (740 V when E1-01 < 400)  |                          |
| Cause   |    | Possible Solution   | Minor Fault (H2-□□ = 10) |
| Surge voltage present in the drive input power.   |    | <ul style="list-style-type: none"> <li>• Install an AC reactor or DC link choke.</li> <li>• Voltage surge can result from a thyristor convertor and a phase advancing capacitor operating on the same drive input power system.</li> </ul>  | YES                      |
| <ul style="list-style-type: none"> <li>• The motor is short-circuited.</li> <li>• Ground current has over-charged the main circuit capacitors via the drive input power.</li> </ul> |    | <ul style="list-style-type: none"> <li>• Check the motor power cable, relay terminals and motor terminal box for short circuits.</li> <li>• Correct grounding shorts and turn the power back on.</li> </ul>   |                          |
| Noise interference causes the drive to operate incorrectly.   |    | <ul style="list-style-type: none"> <li>• Review possible solutions for handling noise interference.</li> <li>• Review section on handling noise interference and check control circuit lines, main circuit lines and ground wiring.</li> <li>• If the magnetic contactor is identified as a source of noise, install a surge protector to the MC coil.</li> </ul> |                          |
|   |    | Set number of fault restarts (L5-01) to a value other than 0.   |                          |

| Digital Operator Display                   |      | Minor Fault Name                            |                          |
|--|------|---|--------------------------|
| <i>PASS</i>                                | PASS | MEMOBUS/Modbus Comm. Test Mode Complete     |                          |
| Cause                                      |      | Possible Solution                           | Minor Fault (H2-□□ = 10) |
| MEMOBUS/Modbus test has finished normally. |      | This verifies that the test was successful. | No output                |

| Digital Operator Display |    | Minor Fault Name                             |                          |
|--------------------------|----|--|--------------------------|
| <i>SE</i>                | SE | MEMOBUS/Modbus Communication Test Mode Error |                          |
| Cause                    |    | Possible Solution                            | Minor Fault (H2-□□ = 10) |
|                          |    |  |                          |

| Digital Operator Display |    | Minor Fault Name  |                          |
|--------------------------|----|---|--------------------------|
| <i>Uv</i>                | Uv | Undervoltage  |                          |
|                          |    | One of the following conditions was true when the drive was stopped and a run command was entered:  |                          |
|                          |    | <ul style="list-style-type: none"> <li>• DC bus voltage dropped below the undervoltage detection level.</li> <li>• Contactor to suppress inrush current in the drive was open.</li> <li>• Low voltage in the control drive input power. This alarm outputs only if L2-01 is not 0 and DC bus voltage is below the detection level.</li> </ul> |                          |
| Cause                    |    | Possible Solution   | Minor Fault (H2-□□ = 10) |
|                          |    |   |                          |

## 6.5 Alarm Detection

| Digital Operator Display   | Minor Fault Name   |     |
|--|--|-----|
| Phase loss in the drive input power.   | Check for wiring errors in the main circuit drive input power. Correct the wiring.   | YES |
| Loose wiring in the drive input power terminals.   | <ul style="list-style-type: none"> <li>• Ensure the terminals have been properly tightened.</li> <li>• Apply the tightening torque specified in this manual to fasten the terminals. <i>Refer to <a href="#">Wire Gauges and Tightening Torques on page 40</a>.</i></li> </ul> |     |
| There is a problem with the drive input power voltage.   | <ul style="list-style-type: none"> <li>• Check the voltage.</li> <li>• Lower the voltage of the drive input power so that it is within the limits listed in the specifications.</li> </ul>   |     |
| Drive internal circuitry is worn.  | <ul style="list-style-type: none"> <li>• Check the maintenance time for the capacitors (U4-05).</li> <li>• Replace the drive if U4-05 exceeds 90%.</li> </ul>  |     |
| The drive input power transformer is not large enough and voltage drops when the power is switched on. | <ul style="list-style-type: none"> <li>• Check for a tripped alarm when the magnetic contactor, line breaker and leakage breaker are turned on.</li> <li>• Check the capacity of the drive input power transformer.</li> </ul>   |     |
| Air inside the drive is too hot.   | Check the temperature inside the drive.  |     |
| The CHARGE indicator light is broken or disconnected.  | Replace the drive.   |     |



## 6.6 Operator Programming Errors

An Operator Programming Error (oPE) occurs when an inappropriate parameter is set or an individual parameter setting is inappropriate.

The drive will not operate until the parameter is set correctly; however, no alarm or fault outputs will occur. If an oPE occurs, investigate the cause and [Refer to Detailed oPE Codes, Causes, and Possible Solutions on page 145](#) for the appropriate action.

### ◆ oPE Codes, Causes, and Possible Solutions

Table 6.9 Detailed oPE Codes, Causes, and Possible Solutions

| Digital Operator Display  |       | Error Name   |
|---|-------|--|
| oPE01   | oPE01 | Drive Capacity Setting Fault   |
| Cause   |       | Possible Solution  |
| The drive capacity setting (o2-04) and the actual capacity of the drive are not the same.   |       | Correct the value set to o2-04.  |
| Digital Operator Display  |       | Fault Name   |
| oPE02   | oPE02 | Parameter Range Setting Error  |
| Cause   |       | Possible Solution  |
| Parameters were set outside the possible setting range.   |       | Set parameters to the proper values.   |
| <b>Note:</b> Other errors are given precedence over oPE02 when multiple errors occur at the same time.  |       |  |
| Digital Operator Display  |       | Fault Name   |
| oPE03   | oPE03 | Multi-Function Input Selection Error   |
| Cause   |       | Possible Solution  |
| <ul style="list-style-type: none"> <li>The same function is assigned to two multi-function inputs.</li> <li>Excludes “Not used” and “External Fault.”</li> <li>The Up command was set but the Down command was not, or vice versa (settings 10 vs. 11).</li> <li>Run command for a 2-Wire sequence was set, but forward/reverse command for a 2-Wire sequence was not.</li> </ul>   |       | <ul style="list-style-type: none"> <li>Ensure all multi-function inputs are assigned to different functions.</li> <li>Re-enter the multi-function settings to ensure this does not occur.</li> </ul>   |
| The following two functions are set at the same time: <ul style="list-style-type: none"> <li>Up/Down Command (10 vs. 11)</li> <li>Hold Accel/Decel Stop (A)</li> </ul> One of the following settings is set at the multi-function input terminals: <ul style="list-style-type: none"> <li>External Search Command 1 and External Search Command 2 (61 vs. 62)</li> <li>Fast-Stop N.O. and Fast-Stop N.C. (15 vs. 17)</li> </ul> |       | Correctly set functions that need to be enabled in combination with other functions. <ul style="list-style-type: none"> <li>Check if contradictory settings have been assigned to the multi-function input terminals at the same time.</li> <li>Correct setting errors.</li> </ul> |
| Digital Operator Display  |       | Fault Name   |
| oPE05   | oPE05 | Run Command/Frequency Reference Source Selection Error   |
| Cause   |       | Possible Solution  |
| Frequency reference is assigned to an option unit (b1-01 = 2 or 3) that is not connected to the drive.  |       | Reconnect the option card to the drive.  |
| The Run command is assigned to serial communication (b1-02 = 2) but no communication option is connected to the drive.  |       |  |

## 6.6 Operator Programming Errors

| Digital Operator Display   |       | Fault Name  |
|----------------------------|-------|---|
| $\text{oPE10}$             | oPE10 | V/f Data Setting Error  |
|                            |       | One or more of the parameters listed below are not set according to the formula:<br>$E1-09 \leq E1-07 < E1-06 \leq E1-04$ |
| <b>Cause</b>               |       | <b>Possible Solution</b>  |
| V/f pattern setting error. |       | Correct the settings for E1-04, E1-06, E1-07, and E1-09.  |

| Digital Operator Display  |       | Fault Name                                     |
|---|-------|--|
| $\text{oPE11}$  | oPE11 | Carrier Frequency Setting Error                |
|   |       | Correct the setting for the carrier frequency. |
| <b>Cause</b>  |       | <b>Possible Solution</b>                       |
| The following simultaneous contradictory settings: C6-05 is greater than 6 and C6-04 is greater than C6-03 (carrier frequency lower limit is greater than the upper limit). If C6-05 is less than or equal to 6, the drive operates at C6-03. |       | Correct the parameter settings.                |
| Upper and lower limits between C6-02 and C6-05 contradict each other.   |       |  |

## 6.7 Diagnosing and Resetting Faults

When a fault occurs and the drive stops, follow the instructions below to remove whatever conditions triggered the fault, then restart the drive.

### ◆ Fault Occurs Simultaneously with Power Loss

**WARNING!** *Electrical Shock Hazard. Ensure there are no short circuits between the main circuit terminals (R/L1, S/L2, and T/L3) or between the ground and main circuit terminals before restarting the drive. Failure to comply may result in serious injury or death and will cause damage to equipment.*

1. Turn on the drive input power.
2. Remove the cause of the fault and reset.

**Note:**

1. To find out what faults were triggered, Check U2-02 (Fault History) to determine the faults that have been triggered.
2. If the fault continues to be displayed after cycling power, remove the cause of the fault and reset.

### ◆ If the Drive Still has Power After a Fault Occurs

1. Look at the LED operator for information on the fault that occurred.
2. [Refer to Fault Displays, Causes, and Possible Solutions on page 133.](#)
3. Reset the fault. [Refer to Fault Reset Methods on page 147.](#)

### ◆ Viewing Fault History Data After Fault

| Step   | Display/Result |
|--|----------------|
| 1. Turn on the drive input power. The first screen displays. |                |
| 2. Press  until the monitor screen is displayed.             |                |
| 3. Press  to display the parameter setting screen.           |                |
| 4. Press  and > until U2-02 (Fault History) is displayed.    |                |
| 5. Press  to view previous fault (here, EF3).                |                |



### ◆ Fault Reset Methods

| After the Fault Occurs  | Procedure   |  |
|---|---|--|
| Fix the cause of the fault, restart the drive, and reset the fault  | Press  on the digital operator.   |  |
| Fix the cause of the fault and reset via Fault Reset Digital Input S4.  | Close then open the fault signal digital input via terminal S4. S4 is set fault reset as default (H1-04 = 12) |  |
| If the above methods do not reset the fault, turn off the drive main power supply. Reapply power after LED operator display is out. |   |  |

## 6.8 Troubleshooting without Fault Display



This section describes troubleshooting problems that do not trip an alarm or fault.




### ◆ Cannot Change Parameter Settings

| Cause  | Possible Solutions  |
|--|---|
| The drive is running the motor (i.e., the Run command is present).                   | <ul style="list-style-type: none"> <li>Stop the drive and switch over to the Programming Mode.</li> <li>Most parameters cannot be edited during run.</li> </ul>   |
| The Access Level is set to restrict access to parameter settings.                    | <ul style="list-style-type: none"> <li>Set the Access Level to allow parameters to be edited (A1-01 = 2).</li> </ul>  |
| The operator is not in the Parameter Setup Mode (the LED screen will display “PAR”). | <ul style="list-style-type: none"> <li>See what mode the LED parameter is current set for.</li> <li>Parameters cannot be edited when in the Setup Mode (“STUP”). Switch modes so that “PAR” appears on the screen.</li> </ul>   |
| The wrong password was entered.  | <ul style="list-style-type: none"> <li>If the password entered to A1-04 does not match the password saved to A1-05, then drive settings cannot be changed.</li> <li>Reset the password.</li> </ul> <p>If you cannot remember the password:</p> <ul style="list-style-type: none"> <li>Display parameter A1-04. Press the  button while pressing  at the same time. Parameter A1-05 will appear.</li> <li>Set a new password to parameter A1-05.</li> </ul> |
| Undervoltage was detected.   | <ul style="list-style-type: none"> <li>Check the drive input power voltage by looking at the DC bus voltage (U1-07).</li> <li>Check all main circuit wiring.</li> </ul>   |

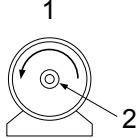
### ◆ Motor Does Not Rotate Properly after Pressing RUN Button or after Entering External Run Command

#### ■ Motor Does Not Rotate

| Cause  | Possible Solutions  |
|--|---|
| The drive is not in the Drive Mode.  | <ul style="list-style-type: none"> <li>Check if the DRV light on the LED operator is lit.</li> <li>Enter the Drive Mode to begin operating the motor. <i>Refer to The Drive and Programming Modes on page 62.</i></li> </ul>  |
| The  button was pushed. | <p>Stop the drive and check if the correct frequency reference source is selected. If the operator keypad shall be the source, the LO/RE button LED must be on, if the source is REMOTE, it must be off. Take the following step to solve the problem:</p> <ul style="list-style-type: none"> <li>Push the  button.</li> </ul> |
| A Fast-Stop was executed and has not yet been reset.   | Reset the Fast-Stop command.  |
| Settings are incorrect for the source that provides the run command.                                       | <p>Check parameter b1-02 (Run Command Selection). Set b1-02 so that it corresponds with the correct run command source.</p> <p>0: LED operator<br/>1: Control circuit terminal (default setting)<br/>2: MEMOBUS/Modbus communications</p>   |
| There is faulty wiring in the control circuit terminals.   | <ul style="list-style-type: none"> <li>Check the wiring for the control terminal.</li> <li>Correct wiring mistakes.</li> <li>Check the input terminal status monitor (U1-10).</li> </ul>  |
| The drive has been set to accept the frequency reference from the incorrect source.                        | <p>Check parameter b1-01 (Frequency Reference Selection 1). Set b1-01 to the correct source of the frequency reference.</p> <p>0: LED operator<br/>1: Control circuit terminal (default setting)<br/>2: MEMOBUS/Modbus communications<br/>3: Potentiometer (option)</p>   |
| The terminal set to accept the main speed reference is set to the incorrect voltage and/or current.        | Check DIP switch S1. Next assign the correct input level to terminal A1 (H3-01). <i>Refer to DIP Switch S1 Analog Input Signal Selection on page 50.</i>  |
| Selection for the sink/source mode is incorrect.   | Check DIP switch S3. <i>Refer to Sinking/Sourcing Mode Switch on page 48.</i>   |
| Frequency reference is too low.  | <ul style="list-style-type: none"> <li>Check the frequency reference monitor (U1-01).</li> <li>Increase the frequency by changing the maximum output frequency (E1-09).</li> </ul>  |

| Cause   | Possible Solutions  |
|---|---|
| Multi-function analog input is set up to accept gain for the frequency reference, but no voltage (current) has been provided.                             | <ul style="list-style-type: none"> <li>Check the multi-function analog input settings.</li> <li>Check if H3-02 has been set to the proper values.</li> <li>Check if the analog input value has been set properly.</li> </ul>  |
| The  button was pressed when the drive was started from a REMOTE source. | <ul style="list-style-type: none"> <li>When the  button is pressed, the drive will decelerate to stop.</li> <li>Switch off the run command and then re-enter a run command.</li> <li>The  button is disabled when o2-02 is set to 0.</li> </ul> |
| Motor is not producing enough torque.   | <ul style="list-style-type: none"> <li>Ensure the selected V/f pattern corresponds with the characteristics of the motor being used.</li> <li>Increase both the minimum and mid output frequency voltages (E1-08, E1-10).</li> </ul>  |
|   | Increase the frequency reference so that it is higher than the minimum frequency reference (E1-09).   |
|   | Increase the torque compensation gain (C4-01).  |
| The drive is set for both 2-Wire and 3-Wire sequence at the same time.  | <ul style="list-style-type: none"> <li>The drive is set for a 3-Wire sequence when one of the parameters H1-03 through H1-05 is set to 0.</li> <li>If the drive is supposed to be set up for a 2-Wire sequence, then ensure parameters H1-03 through H1-05 are not set to 0.</li> <li>If the drive is supposed to be set up for a 3-Wire sequence, then H1-□□ must be set to 0.</li> </ul>                        |

■ Motor Rotates in the Opposite Direction from the Run Command

| Cause   | Possible Solutions  |
|---|---|
| Phase wiring between the drive and motor is incorrect.    | <ul style="list-style-type: none"> <li>Check the motor wiring.</li> <li>Switch two motor cables (U, V, and W) to reverse motor direction.</li> <li>Connect drive output terminals U/T1, V/T2 and W/T3 in the right order to the corresponding motor terminals U, V, and W.</li> <li>Change the setting of parameter b1-14.</li> </ul> |
| The forward direction for the motor is setup incorrectly. | <p>Typically, forward is designated as being counterclockwise when looking from the motor shaft (refer to the figure below).</p>  <p><b>1. Forward Rotating Motor (looking down the motor shaft)</b><br/> <b>2. Motor Shaft</b></p>              |

**Note:** Check the motor specifications for the forward and reverse directions. The motor specifications will vary depending on the manufacturer of the motor.

■ Motor is Too Hot

| Cause   | Possible Solutions  |
|---|---|
| The load is too heavy.                                | <p>If the load is too heavy for the motor, the motor will overheat as it exceeds its rated torque value for an extended period of time. Keep in mind that the motor also has a short-term overload rating in addition to the possible solutions provided below:</p> <ul style="list-style-type: none"> <li>Reduce the load.</li> <li>Increase the acceleration and deceleration times.</li> <li>Check the values set for the motor protection (L1-01, L1-02) as well as the motor rated current (E2-01).</li> <li>Increase motor capacity.</li> </ul>                 |
| The air around the motor is too hot.                  | <ul style="list-style-type: none"> <li>Check the ambient temperature.</li> <li>Cool the area until it is within the specified temperature range.</li> </ul>   |
| Insufficient voltage insulation between motor phases. | <p>When the motor is connected to terminals U/T1, V/T2, and W/T3, voltage surges occur between the motor coils and drive switching. Normally, surges can reach up to three times the drive input power supply voltage (600 V for 200 V class, and 1200 V for 400 V class).</p> <ul style="list-style-type: none"> <li>Use a motor with voltage tolerance higher than the max voltage surge.</li> <li>Use a motor designed to work specifically with a drive when using a 400 V class unit.</li> <li>Install an AC reactor on the output side of the drive.</li> </ul> |
| The motor fan has stopped or is clogged.              | Check the motor fan.  |

## 6.8 Troubleshooting without Fault Display

### ■ oPE02 Error Occurs when Lowering the Motor Rated Current Setting

| Cause  | Possible Solutions   |
|--|--|
| The motor rated current and the motor no-load current settings in the drive are incorrect. | <p>The user is trying to set the motor rated current in E2-01 to a value lower than the no-load current set in E2-03.</p> <ul style="list-style-type: none"> <li>• Make sure that value set in E2-01 is higher than E2-03. Setting E2-01 &lt; E2-03 will trigger an oPE02 error.</li> <li>• If it is necessary to set E2-01 lower than E2-03, first lower the value set to E2-03, then change the setting in E2-01 as needed.</li> </ul> |

### ■ Motor Stalls During Acceleration or With Large Loads

| Cause              | Possible Solutions  |
|--------------------|---|
| Load is too heavy. | <p>Take the following steps to resolve the problem:</p> <ul style="list-style-type: none"> <li>• Reduce the load.</li> <li>• Increase the acceleration time.</li> <li>• Increase motor capacity.</li> <li>• Although the drive has a Stall Prevention function and a Torque Compensation Limit function, accelerating too quickly or trying to drive an excessively large load can exceed the capabilities of the motor.</li> </ul> |

### ■ Motor Will Not Accelerate or the Acceleration Time is Too Long

| Cause  | Possible Solutions   |
|--|--|
| Frequency reference is too low.  | <ul style="list-style-type: none"> <li>• Check the maximum output frequency (E1-04).</li> <li>• Increase E1-04 if it is set too low.</li> </ul>  |
|  | Check U1-01 for proper frequency reference.  |
|  | Check if a frequency reference signal switch has been set to one of the multi-function input terminals.  |
|  | Check for low gain level set to terminal A1 (H3-03).   |
| Load is too heavy.   | <ul style="list-style-type: none"> <li>• Reduce the load so that the output current remains within the motor-rated current.</li> <li>• In extruder and mixer applications, the load will sometimes increase as the temperature drops.</li> </ul> |
|  | Check if the mechanical brake is fully releasing as it should.   |
| Acceleration time has been set too long.   | Check if the acceleration time parameters have been set too long (C1-01, -03).   |
| Motor characteristics and drive parameter settings are incompatible with one another in V/f Control. | <ul style="list-style-type: none"> <li>• Set the correct V/f pattern so that it matches the characteristics of the motor being used.</li> <li>• Check the motor data and adjust V/f pattern settings.</li> </ul>                                 |
| Incorrect frequency reference setting.   | <ul style="list-style-type: none"> <li>• Check the multi-function analog input settings.</li> <li>• Ensure the analog input value is set to the right value (U1-13).</li> </ul>  |
| The Stall Prevention level during acceleration and deceleration set too low.                         | <ul style="list-style-type: none"> <li>• Check the Stall Prevention level during acceleration (L3-02).</li> <li>• If L3-02 is set too low, acceleration will take a fair amount of time.</li> <li>• Increase L3-02.</li> </ul>                   |
| The Stall Prevention level during run has been set too low.  | <ul style="list-style-type: none"> <li>• Check the Stall Prevention level during run (L3-06).</li> <li>• If L3-06 is set too low, speed will drop as the drive outputs torque.</li> <li>• Increase the setting value.</li> </ul>                 |

### ■ Drive Frequency Reference Differs from the Controller Frequency Reference Command

| Cause   | Possible Solutions   |
|---|--|
| The analog input frequency gain and bias are set to incorrect values. | Check the frequency reference terminal input gain level assigned to terminal A1 (parameter H3-03). |

### ■ Poor Speed Control Accuracy

| Cause  | Possible Solutions                         |
|--|--|
| Slip compensation function disabled or set up incorrectly. | Adjust the slip compensation gain (C3-01). |

### ■ Deceleration Takes Longer Than Expected when Using a Braking Resistor

| Cause  | Possible Solutions   |
|--|--|
| L3-04 is set incorrectly.  | <ul style="list-style-type: none"> <li>• Check the Stall Prevention Level during deceleration (L3-04).</li> <li>• If a braking resistor option has been installed, disable Stall Prevention during deceleration (L3-04 = "0").</li> </ul>                              |
| The deceleration time is set too long.   | Set deceleration to more appropriate time (C1-02 and C1-04).   |
| Insufficient motor torque.   | <ul style="list-style-type: none"> <li>• Assuming parameter settings are normal and that no overvoltage occurs when there is insufficient torque, it is likely that the demand on the motor has exceeded the motor capacity.</li> <li>• Use a larger motor.</li> </ul> |
| Load exceeded the internal torque limit determined by the drive rated current. | Switch to a larger capacity drive.   |

### ■ Motor Hunting Occurs When Operating With a Light Load

| Cause   | Possible Solutions   |
|---|--|
| Carrier frequency is too high.  | Lower the carrier frequency setting C6-02.   |
| Large V/f setting value at low speeds triggers overexcitation.  | <ul style="list-style-type: none"> <li>• Use parameters E1-04 through E1-10 to set the V/f pattern in relation to the load characteristics.</li> </ul> |
| The maximum output frequency and the base frequency reference are not set properly in relationship to each other. | Set the proper values for the maximum output frequency and base frequency (E1-04, E1-06).  |
| Hunting Prevention is set up incorrectly.   | Adjust the hunting prevention gain (n1-02).  |

### ■ Noise From Drive or Output Lines When the Drive is Powered On

| Cause   | Possible Solutions   |
|---|--|
| Relay switching in the drive generates excessive noise. | <ul style="list-style-type: none"> <li>• Lower the carrier frequency (C6-02).</li> <li>• Install a noise filter on the input side of drive input power.</li> <li>• Install a noise filter on the output side of the drive.</li> <li>• Place the wiring inside a metal conduit to shield it from switching noise.</li> <li>• Ground the drive and motor properly.</li> <li>• Separate the main circuit wiring and the control lines.</li> </ul> |

### ■ Ground Fault Circuit Interrupter (GFCI) Trips During Run

| Cause                                 | Possible Solutions   |
|---------------------------------------|--|
| Excessive leakage current trips MCCB. | <ul style="list-style-type: none"> <li>• Increase the GFCI sensitivity or use GFCI with a higher threshold.</li> <li>• Lower the carrier frequency (C6-02).</li> <li>• Reduce the length of the cable used between the drive and the motor.</li> <li>• Install a noise filter or reactor on the output side of the drive.</li> </ul> |

### ■ Connected Machinery Vibrates When Motor Rotates

#### Excessive Motor Oscillation and Erratic Rotation

| Cause                              | Possible Solutions   |
|------------------------------------|--|
| Poor balance between motor phases. | Check drive input power voltage to ensure that it provides stable power. |

#### Unexpected Noise from Connected Machinery

| Cause  | Possible Solutions  |
|--|---|
| The carrier frequency is at the resonant frequency of the connected machinery.               | Adjust the carrier frequency using parameters C6-02 through C6-05.  |
| The drive output frequency is the same as the resonant frequency of the connected machinery. | <ul style="list-style-type: none"> <li>• Adjust the parameters used for the Jump Frequency function (d3-01 through d3-04) to skip the problem-causing bandwidth.</li> <li>• Place the motor on a rubber pad to reduce vibration.</li> </ul> |

**Note:** The drive may have trouble assessing the status of the load due to white noise generated when using Swing PWM (C6-02 = 7).

## 6.8 Troubleshooting without Fault Display

### ■ Oscillation or Hunting

| Cause  | Possible Solutions   |
|--|--|
| Insufficient tuning.   | Adjust Hunting prevention Gain Setting (n1-02).  |
| The frequency reference is assigned to an external source and the signal is noisy. | <ul style="list-style-type: none"> <li>• Ensure that noise is not affecting the signal lines.</li> <li>• Separate main circuit wiring and control circuit wiring.</li> <li>• Use twisted-pair cables or shielded wiring for the control circuit.</li> <li>• Increase the analog input time filter constant (H3-13).</li> </ul> |
| The cable between the drive and motor is too long.                                 | <ul style="list-style-type: none"> <li>• Reduce the length of the cable.</li> </ul>  |

### ■ Motor Rotates After the Drive Output is Shut Off

| Cause  | Possible Solutions  |
|--|---|
| Low DC Injection Braking and the drive cannot decelerate properly. | <ul style="list-style-type: none"> <li>• Adjust the DC Injection braking settings.</li> <li>• Increase the value of b2-02 (DC Injection Braking Current).</li> <li>• Increase the b2-04 (DC Injection Braking Time at Stop).</li> </ul> |

### ■ Torque or Speed Loss Occurs When Starting into a Rotating Load

| Cause  | Possible Solutions   |
|--|--|
| The load is already rotating when the drive is trying to start it. | <ul style="list-style-type: none"> <li>• Stop the motor using DC Injection braking. Restart the motor.</li> <li>• Increase the value of b2-03 (DC Injection Braking Time at start).</li> <li>• Set a multi-function input terminal for external Speed Search command (H1-□□="61" or "62" during restart).</li> </ul> |

### ■ Output Frequency is not as High as Frequency Reference

| Cause   | Possible Solutions   |
|---|--|
| Frequency reference is set within the range of the Jump Frequency.  | <ul style="list-style-type: none"> <li>• Adjust the parameters used for the Jump Frequency function (d3-01, d3-02).</li> <li>• Enabling the Jump Frequency prevents the drive from outputting the frequencies specified in the Jump Frequency range.</li> </ul>  |
| Upper limit for the frequency reference has been exceeded.          | <ul style="list-style-type: none"> <li>• Set the maximum output frequency and the upper limit for the frequency reference to more appropriate values (E1-04, d2-01).</li> <li>• The following calculation yields the upper value for the output frequency = <math>E1-04 \times d2-01 / 100</math></li> </ul> |
| Large load triggered Stall Prevention function during acceleration. | <ul style="list-style-type: none"> <li>• Reduce the load.</li> <li>• Adjust the Stall Prevention level during acceleration (L3-02).</li> </ul>   |

### ■ Buzzing Sound from Motor at 2 kHz

| Cause   | Possible Solutions   |
|---|--|
| Exceeded 110% of the rated output current of the drive while operating at low speeds. | <ul style="list-style-type: none"> <li>• If the output current rises too high at low speeds, the carrier frequency automatically reduces and causes a whining or buzzing sound.</li> <li>• If the sound is coming from the motor, disable carrier frequency derating (L8-38 = "0").</li> <li>• Disabling the automatic carrier frequency derating increases the chances of an overload fault (oL2). Switch to a larger capacity motor if oL2 faults occur too frequently.</li> </ul> |

### ■ Motor Does Not Operate When the RUN Button on the Digital Operator is Pressed

| Cause   | Possible Solutions  |
|---|---|
| The LOCAL/REMOTE mode is not selected properly. | Press the LOCAL/REMOTE button to switch. The LO/RE LED should be on for LOCAL mode.   |
| The drive is not in drive mode.                 | A run command will not be issued. Exit to the drive mode and cycle the run command.   |
| The frequency reference is too low.             | <ul style="list-style-type: none"> <li>• If the frequency reference is set below the frequency set in E1-09 (Minimum Output Frequency), the drive will not operate.</li> <li>• Raise the frequency reference to at least the minimum output frequency.</li> </ul> |

### ■ Motor Does Not Operate When an External Run Command is Input

| Cause   | Possible Solutions  |
|---|---|
| The LOCAL/REMOTE mode is not selected properly. | Press the LOCAL/REMOTE button to switch. The LO/RE LED should be off for REMOTE mode. |
| The drive is not in Drive Mode.                 | A run command will not be issued. Exit to the Drive mode and cycle the run command.   |



| Cause                               | Possible Solutions  |
|-------------------------------------|---|
| The frequency reference is too low. | <ul style="list-style-type: none"> <li>• If the frequency reference is set below the frequency set in E1-09 (Minimum Output Frequency), the drive will not operate.</li> <li>• Raise the frequency reference to at least the minimum output frequency.</li> </ul> |

■ **Motor Stops During Acceleration or When a Load is Connected**

| Cause  | Possible Solution  |
|--|--|
| <ul style="list-style-type: none"> <li>• The load is too heavy.</li> <li>• The limit of motor response may be reached during rapid acceleration. This may be a result of improper stall prevention or automatic torque boost function adjustment.</li> </ul> | Increase the acceleration time (C1-01) or reduce the motor load. Also, consider increasing the motor size and/or drive size. |

■ **Motor Rotates in One Direction Only**

| Cause  | Possible Solutions  |
|--|---|
| "Reverse run prohibited" is selected. If b1-04 (Reverse Prohibit Operation) is set to 1 (reverse run prohibited), the drive will not accept a reverse run command. | Set b1-04 = "0" to allow reverse run operation.   |
| The drive prohibits reverse rotation.  | <ul style="list-style-type: none"> <li>• Check parameter b1-04.</li> <li>• Set the drive to allow the motor to rotate in reverse (b1-04 = "0").</li> </ul>    |
| A Reverse run signal has not been entered, although 3-Wire sequence is selected.   | <ul style="list-style-type: none"> <li>• Make sure that one of the input terminals S3 to S5 used for the 3-Wire sequence has been set for reverse.</li> </ul> |

■ **Peripheral Devices Affected by Drive Operation**

| Cause   | Possible Solutions  |
|---|---|
| Radio frequency interference may be generated by drive output PWM waveform. | <ul style="list-style-type: none"> <li>• Change the Carrier Frequency Selection (C6-02) to lower the carrier frequency. This will help to reduce the amount of transistor switching noise.</li> <li>• Install an Input Noise Filter at the input power terminals.</li> <li>• Install an Output Noise Filter at the motor terminals.</li> <li>• Use conduit. Metal can shield electrical noise.</li> <li>• Ground the drive and motor.</li> <li>• Separate main circuit wiring from control wiring.</li> </ul> |

■ **Ground Fault Interrupter Activates When Drive is Running**

| Cause  | Possible Solutions  |
|--|---|
| The output of the drive is a series of high frequency pulses (PWM), so there is a certain amount of leakage current. This may cause the ground fault interrupter to operate and cut off the drive input power. | <ul style="list-style-type: none"> <li>• Change to a ground fault interrupter with a higher leakage current detection level (such as, a sensitivity current of 200 mA or greater per Unit, with an operating time of 0.1 s or more), or one that incorporates high-frequency corrective actions.</li> <li>• Change the Carrier Frequency Selection (C6-02) to lower the carrier frequency.<br/><b>Note:</b> Leakage current increases in proportion to cable length.</li> </ul> |

**This Page Intentionally Blank**

# Periodic Inspection & Maintenance

---

This chapter describes the periodic inspection and maintenance of the drive to ensure that it receives the proper care to maintain overall performance.

|            |                                  |            |
|------------|----------------------------------|------------|
| <b>7.1</b> | <b>SECTION SAFETY.....</b>       | <b>156</b> |
| <b>7.2</b> | <b>INSPECTION.....</b>           | <b>158</b> |
| <b>7.3</b> | <b>PERIODIC MAINTENANCE.....</b> | <b>160</b> |
| <b>7.4</b> | <b>DRIVE COOLING FANS.....</b>   | <b>162</b> |

## 7.1 Section Safety

### DANGER

#### Electrical Shock Hazard

**Do not connect or disconnect wiring while the power is on.**

Failure to comply will result in death or serious injury.

### WARNING

#### Electrical Shock Hazard

**Do not operate equipment with covers removed.**

Failure to comply could result in death or serious injury.

The diagrams in this section may show drives without covers or safety shields to show details. Be sure to reinstall covers or shields before operating the drives and run the drives according to the instructions described in this manual.

**Always ground the motor-side grounding terminal.**

Improper equipment grounding could result in death or serious injury by contacting the motor case.

**Do not remove covers or touch circuit boards while the power is on.**

Failure to comply could result in death or serious injury.

**Do not allow unqualified personnel to perform work on the drive.**

Failure to comply could result in death or serious injury.

Installation, maintenance, inspection, and servicing must be performed only by authorized personnel familiar with installation, adjustment, and maintenance of AC drives.

**Do not perform work on the drive while wearing loose clothing, jewelry or without eye protection.**

Failure to comply could result in death or serious injury.

Remove all metal objects such as watches and rings, secure loose clothing, and wear eye protection before beginning work on the drive.

**Do not touch any terminals before the capacitors have fully discharged.**

Failure to comply could result in death or serious injury.

Before wiring terminals, disconnect all power to the equipment. The internal capacitor remains charged even after the power supply is turned off. The charge indicator LED will extinguish when the DC bus voltage is below 50 Vdc. To prevent electric shock, wait at least one minute after all indicators are off and measure the DC bus voltage level to confirm safe level.

#### Fire Hazard

**Tighten all terminal screws to the specified tightening torque.**

Loose electrical connections could result in death or serious injury by fire due to overheating of electrical connections.

**Do not use an improper voltage source.**

Failure to comply could result in death or serious injury by fire.

Verify that the rated voltage of the drive matches the voltage of the incoming power supply before applying power.

**Do not use improper combustible materials.**

Failure to comply could result in death or serious injury by fire.

Attach the drive to metal or other noncombustible material.

**NOTICE**

**Observe proper electrostatic discharge procedures (ESD) when handling the drive and circuit boards.**

Failure to comply may result in ESD damage to the drive circuitry.

**Never connect or disconnect the motor from the drive while the drive is outputting voltage.**

Improper equipment sequencing could result in damage to the drive.

**Do not use unshielded cable for control wiring.**

Failure to comply may cause electrical interference resulting in poor system performance. Use shielded, twisted-pair wires and ground the shield to the ground terminal of the drive.

**Do not allow unqualified personnel to use the product.**

Failure to comply could result in damage to the drive or braking circuit.

Carefully review instruction manual TOBPC72060000 when connecting a braking option to the drive.

**Do not modify the drive circuitry.**

Failure to comply could result in damage to the drive and will void warranty.

Yaskawa is not responsible for any modification of the product made by the user. This product must not be modified.

**Check all the wiring to ensure that all connections are correct after installing the drive and connecting any other devices.**

Failure to comply could result in damage to the drive.

## 7.2 Inspection

Power electronics have limited life and may exhibit changed characteristics or performance deterioration after years of use under normal conditions. To help avoid such problems, it is important to perform preventive maintenance and periodic inspection on the drive.

Drives contain a variety of power electronics such as power transistors, semiconductors, capacitors, resistors, fans, and relays. The electronics in the drive serve a critical role in maintaining proper motor control.

Follow the inspection lists provided in this chapter as a part of a regular maintenance program.

**Note:** The drive will require more frequent inspection if it is placed in harsh environments, such as:

- High ambient temperatures
- Frequent starting and stopping
- Fluctuations in the AC supply or load
- Excessive vibrations or shock loading
- Dust, metal dust, salt, sulfuric acid, chlorine atmospheres
- Poor storage conditions.

Perform the first equipment inspection 3 months after installation.

### ◆ Recommended Daily Inspection

*Table 7.1* outlines the recommended daily inspection for Yaskawa drives. Check the following items on a daily basis to avoid premature deterioration in performance or product failure. Copy this checklist and mark the “Checked” column after each inspection.

**WARNING! Electrical Shock Hazard.** Do not connect or disconnect wiring while the power is on. Failure to comply can result in serious personal injury. Before servicing the drive, disconnect all power to the equipment. The internal capacitor remains charged even after the power supply is turned off. The charge indicator LED will extinguish when the DC bus voltage is below 50 Vdc. To prevent electric shock, wait at least one minute after all indicators are OFF and measure the DC bus voltage level to confirm safe level.

**Table 7.1 General Recommended Daily Inspection Checklist**

| Inspection Category         | Inspection Points  | Corrective Action   | Checked |
|-----------------------------|--|---|---------|
| <b>Motor</b>                | <ul style="list-style-type: none"> <li>• Inspect for abnormal oscillation or noise coming from the motor.</li> </ul>   | <ul style="list-style-type: none"> <li>• Check the load coupling.</li> <li>• Measure motor vibration.</li> <li>• Tighten all loose components.</li> </ul>                               |         |
| <b>Cooling</b>              | <ul style="list-style-type: none"> <li>• Inspect for abnormal heat generated from the drive or motor and visible discoloration.</li> </ul>                           | <ul style="list-style-type: none"> <li>• Check for excessive load.</li> <li>• Loose connections</li> <li>• Check for dirty heatsink or motor.</li> <li>• Ambient temperature</li> </ul> |         |
| <b>Cooling Fan</b>          | <ul style="list-style-type: none"> <li>• Inspect drive cooling fan operation.</li> </ul>   | <ul style="list-style-type: none"> <li>• Check for clogged or dirty fan.</li> <li>• Check fan operation drive parameter.</li> </ul>   |         |
| <b>Environment</b>          | <ul style="list-style-type: none"> <li>• Verify the drive environment complies with the specifications listed in the Installation section of this manual.</li> </ul> | <ul style="list-style-type: none"> <li>• Eliminate the source of contaminants or correct poor environment.</li> </ul>   |         |
| <b>Load</b>                 | <ul style="list-style-type: none"> <li>• The drive output current should not be higher than the motor or drive rating for an extended period of time.</li> </ul>     | <ul style="list-style-type: none"> <li>• Check for excessive load.</li> <li>• Check the motor parameter settings of the drive.</li> </ul>   |         |
| <b>Power Supply Voltage</b> | <ul style="list-style-type: none"> <li>• Check main power supply and control voltages.</li> </ul>  | <ul style="list-style-type: none"> <li>• Correct the voltage or power supply to within nameplate specifications.</li> <li>• Verify all main circuit phases.</li> </ul>                  |         |

## ◆ Recommended Periodic Inspection

**Table 7.2** outlines the recommended periodic inspections for Yaskawa drive installations. Periodic inspections should generally be checked every 3-6 months; however, the drive may require more frequent inspection due to poor environments or rigorous use. Operating and environmental conditions, along with experience in each application, will determine the actual inspection frequency for each installation. Periodic inspection will help to avoid premature deterioration in performance or product failure. Copy this checklist and mark the “Checked” column after each inspection.

### ■ Periodic Inspection

**WARNING! Electrical Shock Hazard.** Do not connect or disconnect wiring while the power is on. Failure to comply can result in serious personal injury. Before servicing the drive, disconnect all power to the equipment. The internal capacitor remains charged even after the power supply is turned off. The charge indicator LED will extinguish when the DC bus voltage is below 50 Vdc. To prevent electric shock, wait at least one minute after all indicators are OFF and measure the DC bus voltage level to confirm safe level.

**Table 7.2 Periodic Inspection Checklist**

| Inspection Area                            | Inspection Points   | Corrective Action   | Checked |
|--|---|---|---------|
| <b>Main Circuit Periodic Inspection</b>    |   |   |         |
| General                                    | <ul style="list-style-type: none"> <li>Inspect equipment for discoloration from overheating or deterioration.</li> <li>Inspect for damaged or deformed parts.</li> </ul>                                    | <ul style="list-style-type: none"> <li>Replace damaged components as required.</li> <li>The drive has few serviceable parts and may require complete drive replacement.</li> </ul>  |         |
|  | <ul style="list-style-type: none"> <li>Inspect for dirt, foreign particles, or dust collection on components.</li> </ul>  | <ul style="list-style-type: none"> <li>Inspect enclosure door seal if present. Replace components if cleaning is not possible.</li> <li>Remove foreign particles and dust with a vacuum cleaner to avoid touching parts.</li> </ul> |         |
| Conductors and Wiring                      | <ul style="list-style-type: none"> <li>Inspect wiring and connections for discoloration, damage, or heat stress.</li> <li>Inspect wire insulation and shielding for wear.</li> </ul>                        | <ul style="list-style-type: none"> <li>Repair or replace damaged wiring.</li> </ul>   |         |
| Terminals                                  | <ul style="list-style-type: none"> <li>Inspect terminals for stripped, damaged, or loose connections.</li> </ul>  | <ul style="list-style-type: none"> <li>Tighten loose screws and replace damaged screws or terminals.</li> </ul>   |         |
| Relays and Contactors                      | <ul style="list-style-type: none"> <li>Inspect contactors and relays for excessive noise during operation.</li> <li>Inspect coils for signs of overheating such as melted or cracked insulation.</li> </ul> | <ul style="list-style-type: none"> <li>Check coil voltage for over or under voltage conditions.</li> <li>Replace damaged removable relays contactors or circuit board.</li> </ul>   |         |
| Braking Resistors                          | <ul style="list-style-type: none"> <li>Inspect for discoloration of heat stress on or around resistors.</li> </ul>  | <ul style="list-style-type: none"> <li>Minor discoloration may be acceptable.</li> <li>If discoloration exists check for loose connections.</li> </ul>  |         |
| <b>Control Circuit Periodic Inspection</b> |   |   |         |
| General                                    | <ul style="list-style-type: none"> <li>Inspect terminals for stripped, damaged or loose connections.</li> <li>Check for tightness.</li> </ul>   | <ul style="list-style-type: none"> <li>Tighten loose screws and replace damaged screws or terminals.</li> <li>If terminals are integral to a circuit board then board or drive replacement may be required.</li> </ul>              |         |
| <b>LED Periodic Inspection</b>             |   |   |         |
| LEDs                                       | <ul style="list-style-type: none"> <li>Make sure the LED lights correctly.</li> <li>Inspect for dust or other foreign material that may have collected on surrounding components.</li> </ul>                | <ul style="list-style-type: none"> <li>Contact your Yaskawa representative if there is any trouble with the LED or keypad.</li> <li>Clean the LED.</li> </ul>   |         |
| <b>Cooling System Periodic Inspection</b>  |   |   |         |
| Cooling Fan                                | <ul style="list-style-type: none"> <li>Check for abnormal oscillation or unusual noise.</li> <li>Check for damaged or missing fan blades.</li> </ul>  | <ul style="list-style-type: none"> <li>Replace as required.</li> <li><i>Refer to Drive Cooling Fans on page 162</i> for information on cleaning or replacing the cooling fan.</li> </ul>  |         |
| Heatsink                                   | <ul style="list-style-type: none"> <li>Inspect for dust or other foreign material collected on the surface.</li> </ul>  | <ul style="list-style-type: none"> <li>Remove foreign particles and dust with a vacuum cleaner to avoid touching parts.</li> </ul>  |         |
| Air Duct                                   | <ul style="list-style-type: none"> <li>Inspect air intake and exhaust openings. They must be free from obstruction and properly installed.</li> </ul>   | <ul style="list-style-type: none"> <li>Visually inspect the area.</li> <li>Clear obstructions and clean air duct as required.</li> </ul>  |         |
| <b>Motor Periodic Inspection</b>           |   |   |         |
| Operation Check                            | <ul style="list-style-type: none"> <li>Check for increased vibration or abnormal noise.</li> </ul>  | <ul style="list-style-type: none"> <li>Stop the motor and contact qualified maintenance personnel as required.</li> </ul>   |         |

**Note:** Periodic inspections should be performed every one or two years. The drive, however, may require more frequent inspection due to poor environments or rigorous use.

## 7.3 Periodic Maintenance

The drive has various "maintenance monitors." This feature provides advance maintenance warning and eliminates the need to shut down the entire system for unexpected problems. The drive allows the user to check the following maintenance periods.

- Cooling Fan
- Electrolytic Capacitors (Main Circuit)
- Inrush Prevention Circuit
- IGBT

### ◆ Replacement Parts

**Table 7.3** contains the estimated performance life of components that require replacement during the life of the drive. Only use Yaskawa replacement parts for the appropriate drive model and revision.

**Table 7.3 Estimated Performance Life**

| Component                              | Estimated Performance Life |
|--|----------------------------|
| Cooling Fan                            | 2 ~ 3 years                |
| Electrolytic Capacitors (Main Circuit) | 10 years <I>               |

<I> The drive has few serviceable parts and may require complete drive replacement.

**NOTICE:** Estimated performance life based on specific usage conditions. These conditions are provided for the purpose of replacing parts to maintain performance. Some parts may require more frequent replacement due to poor environments or rigorous use.

Usage conditions for estimated performance life:

- Ambient temperature: Yearly average of 30 °C
- Load factor: 80% maximum
- Operation time: 12 hours a day

### ■ Performance Life Monitors

The drive calculates the maintenance period for components that may require replacement during the life of the drive. A percentage of the maintenance period is displayed on the LED digital operator by viewing the appropriate monitor parameter.

When the maintenance period reaches 100%, there is increased risk that the drive may malfunction. Yaskawa recommends checking the maintenance period regularly to ensure maximum performance life.

**Refer to Recommended Periodic Inspection on page 159** for more details.

**Table 7.4 Performance Life Monitors Used for Component Replacement**

| Parameter | Component                                     | Contents  |
|-----------|---|---|
| U4-04     | Cooling Fan                                   | Displays the accumulated cooling fan operation time as a percentage of the specified maintenance period (displayed in percent %). |
| U4-05     | Main Circuit (DC bus) Electrolytic Capacitors | Displays the accumulated time the capacitors are used as a percentage of the specified maintenance period.                        |
| U4-06     | Inrush (pre-charge) relay                     | Displays the number of times the drive is powered up as a percentage of the performance life of the inrush circuit.               |
| U4-07     | IGBT  | Displays the percentage of the maintenance period reached by the IGBTs.   |

### ■ Alarm Outputs for Maintenance Monitors

An output can be set up to inform the user when a specific components has neared its expected performance life.

When one of multi-function digital output terminals has been assigned the maintenance monitor function (H2-□□ = 2F), the terminal will close when the cooling fan, DC bus capacitors, or DC bus pre-charge relay reach 90% of the expected performance life, or when the IGBTs have reached 50% of their expected performance life. Additionally the digital operator will display an alarm like shown in **Table 7.5** to indicate the specific components that may need maintenance.

**Table 7.5 Maintenance Alarms**

| Digital Operator Alarm Display | Function | Corrective Action  |
|--------------------------------|----------|--|
| LT-1 <I>                       | LT-1     | The cooling fans have reached 90% of their designated life time.<br>Replace the cooling fan.   |
| LT-2 <I>                       | LT-2     | The DC bus capacitors have reached 90% of their designated life time.<br>Contact a Yaskawa representative or the nearest Yaskawa sales office on possible drive replacement. |



| Digital Operator Alarm Display |      | Function   | Corrective Action   |
|--------------------------------|------|--|---|
| LF-3 <>                        | LT-3 | The DC bus charge circuit has reached 90% of its designated life time. | Contact a Yaskawa representative or the nearest Yaskawa sales office on possible drive replacement. |
| LF-4 <>                        | LT-4 | The IGBTs have reached 50% of their designated life time.              | Check the load, carrier frequency, and output frequency.  |
| TrPC <>                        | TrPC | The IGBTs have reached 90% of their designated life time.              | Contact a Yaskawa representative or the nearest Yaskawa sales office on possible drive replacement. |

- <1> This alarm message will be output only if the Maintenance Monitor function is assigned to one of the digital outputs (H2-□□ = 2F). The alarm will also trigger a digital output that is programmed for alarm indication (H2-□□ = 10).
- <2> This alarm message will always be output, even if the Maintenance Monitor function is not assigned to any of the digital outputs (H2-□□ = 2F). The alarm will also trigger a digital output that is programmed for alarm indication (H2-□□ = 10).

### ■ Related Drive Parameters

Use parameters o4-03, o4-05, o4-07, and o4-09 to reset a Maintenance Monitor to zero after replacing a specific component. [Refer to Parameter List on page 189](#) for details on parameter settings.

**NOTICE:** *If these parameters are not reset after the corresponding parts have been replaced, the Maintenance Monitor function will continue to count down the performance life from the value that was reached with the old part. If the Maintenance Monitor is not reset, the drive will not have the correct value of the performance life for the new component.*

### 7.4 Drive Cooling Fans

**NOTICE:** Follow cooling fan replacement instructions. The cooling fan cannot operate properly when installed incorrectly and could seriously damage the drive. To ensure maximum useful product life, replace all cooling fans when performing maintenance.

Contact your Yaskawa representative or supplier to order replacement cooling fans as required.

#### ◆ Number of Cooling Fans

| Drive Model                     | Cooling Fans |
|---------------------------------|--------------|
| <b>Single-Phase 200 V Class</b> |              |
| BA0001                          | –            |
| BA0002                          | –            |
| BA0003                          | –            |
| BA0006                          | –            |
| BA0010                          | 1            |
| <b>Three-Phase 200 V Class</b>  |              |
| 2A0001                          | –            |
| 2A0002                          | –            |
| 2A0004                          | –            |
| 2A0006                          | 1            |
| 2A0010                          | 1            |
| 2A0012                          | 1            |
| 2A0020                          | 1            |
| <b>Three-Phase 400 V Class</b>  |              |
| 4A0001                          | –            |
| 4A0002                          | –            |
| 4A0004                          | –            |
| 4A0005                          | 1            |
| 4A0007                          | 1            |
| 4A0009                          | 1            |
| 4A0011                          | 1            |

## ◆ Cooling Fan Replacement

The cooling fan is installed on the top of the drive. The cooling fan can easily be replaced without tools or removal of the drive or enclosure parts.

**WARNING! Electrical Shock Hazard.** Do not connect or disconnect wiring while the power is on. Failure to comply can result in serious personal injury. Before servicing the drive, disconnect all power to the equipment. The internal capacitor remains charged even after the power supply is turned off. The charge indicator LED will extinguish when the DC bus voltage is below 50 Vdc. To prevent electric shock, wait at least one minute after all indicators are OFF and measure the DC bus voltage level to confirm safe level.

**CAUTION! Burn Hazard.** Do not touch a hot drive heatsink. Failure to comply could result in minor or moderate injury. Shut off the power to the drive when replacing the cooling fan. To prevent burns, wait at least 15 minutes and ensure the heatsink has cooled down.

### ■ Removing the Cooling Fan

1. Depress the right and left sides of the fan cover tabs and pull upward. Remove the fan cover from the top of the drive. The following figure illustrates a drive with a single cooling fan.

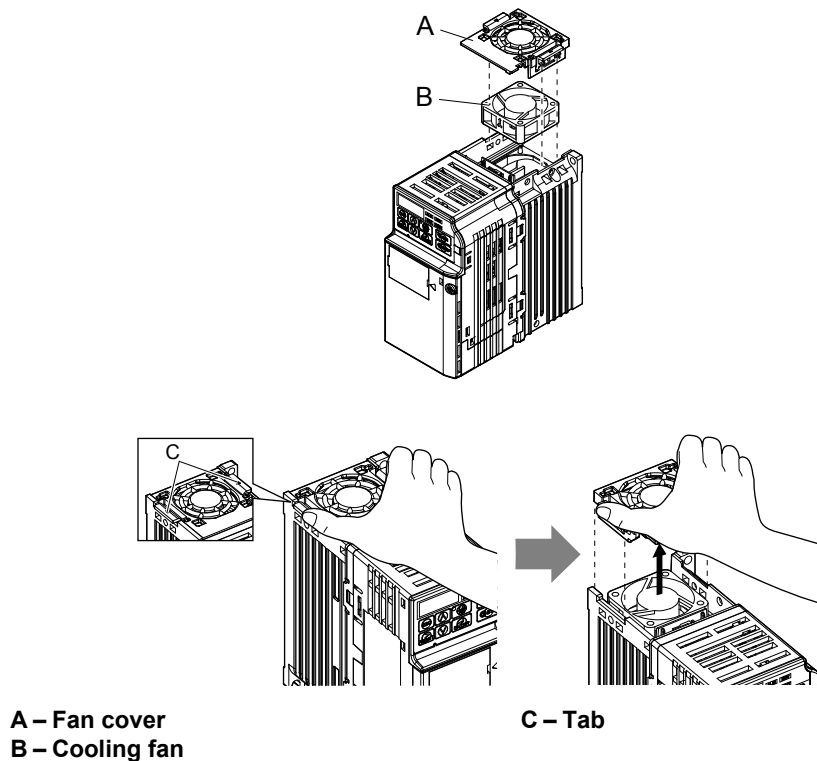


Figure 7.1 Remove the Cooling Fan Cover

2. Remove the fan cable carefully, disconnect the pluggable connector and remove the fan.

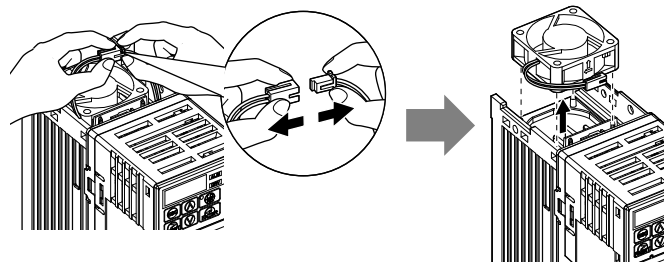


Figure 7.2 Disconnect and Remove the Fan

### ■ Installing the Cooling Fan

**NOTICE: Prevent Equipment Damage.** Follow cooling fan replacement instructions. Improper cooling fan replacement could result in damage to equipment. When installing the replacement cooling fan into the drive, make sure the fan is facing upwards. To ensure maximum useful product life, replace all cooling fans when performing maintenance.

1. Install the replacement cooling fan into the drive, ensuring the alignment pins line up, as shown in the figure below:

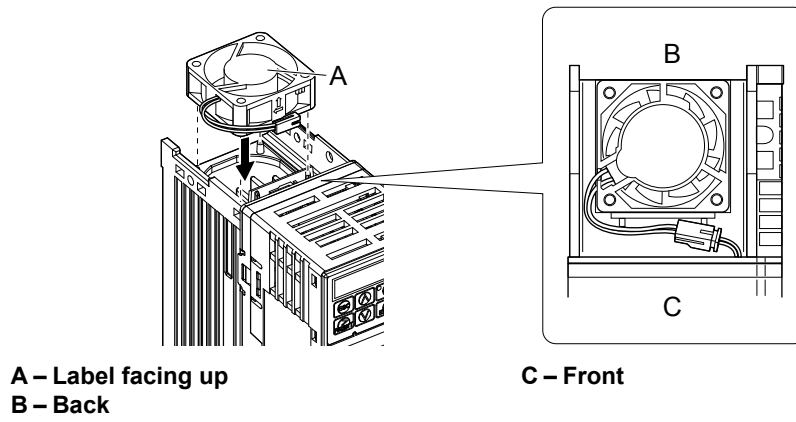
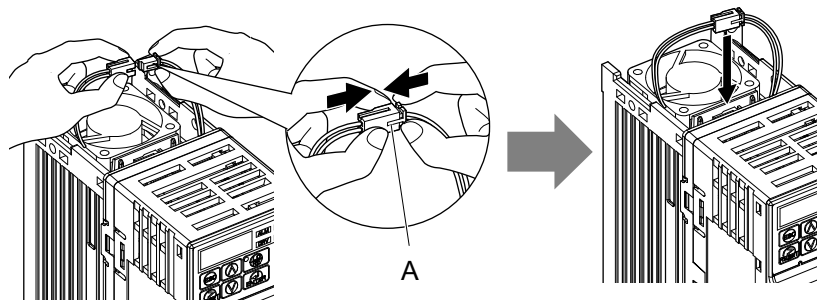


Figure 7.3 Cooling Fan Orientation

2. Ensure the connectors are properly connected and place the cable back into the recess of the drive.



A – Push the connectors together so no space remains between them.

Figure 7.4 Connectors

**Note:** Ensure that the left and right tabs are locked back into place.

3. Align the left and right cover tabs to install the fan cover back on the top of the drive.

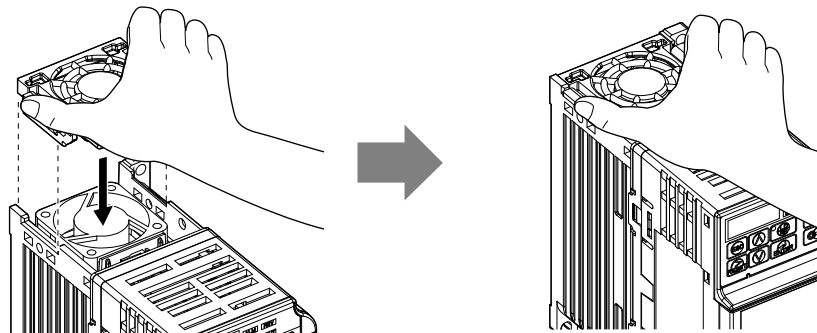


Figure 7.5 Installation

# Peripheral Devices & Options

---

This chapter explains the installation of available peripheral devices and options for the drive.

|            |  |            |
|------------|--|------------|
| <b>8.1</b> | <b>SECTION SAFETY.....</b>                       | <b>166</b> |
| <b>8.2</b> | <b>DRIVE OPTIONS AND PERIPHERAL DEVICES.....</b> | <b>167</b> |
| <b>8.3</b> | <b>CONNECTING PERIPHERAL DEVICES.....</b>        | <b>168</b> |
| <b>8.4</b> | <b>INSTALLING PERIPHERAL DEVICES.....</b>        | <b>169</b> |
| <b>8.5</b> | <b>OPTIONS.....</b>                              | <b>179</b> |

## 8.1 Section Safety

### DANGER

#### Electrical Shock Hazard

**Do not connect or disconnect wiring while the power is on.**

Failure to comply will result in death or serious injury.

Disconnect all power to the drive, wait at least one minute after all indicators are off, measure the DC bus voltage to confirm safe level, and check for unsafe voltages before servicing to prevent electric shock. The internal capacitor remains charged even after the power supply is turned off. The charge indicator LED will extinguish when the DC bus voltage is below 50 Vdc.

### WARNING

#### Electrical Shock Hazard

**Do not operate equipment with covers removed.**

Failure to comply could result in death or serious injury.

The diagrams in this section may show drives without covers or safety shields to show details. Be sure to reinstall covers or shields before operating the drives and run the drives according to the instructions described in this manual.

**Do not remove covers or touch circuit boards while the power is on.**

Failure to comply could result in death or serious injury.

**Do not touch any terminals before the capacitors have fully discharged.**

Failure to comply could result in death or serious injury.

Before wiring terminals, disconnect all power to the equipment. The internal capacitor remains charged even after the power supply is turned off. The charge indicator LED will extinguish when the DC bus voltage is below 50 Vdc. To prevent electric shock, wait at least one minute after all indicators are off and measure the DC bus voltage level to confirm safe level.

**Do not allow unqualified personnel to perform work on the drive.**

Failure to comply could result in death or serious injury.

Installation, maintenance, inspection and servicing must be performed only by authorized personnel familiar with installation, adjustment and maintenance of AC drives.

**Do not perform work on the drive while wearing loose clothing, jewelry or without eye protection.**

Failure to comply could result in death or serious injury.

Remove all metal objects such as watches and rings, secure loose clothing and wear eye protection before beginning work on the drive.

**Always ground the motor-side grounding terminal.**

Improper equipment grounding could result in death or serious injury by contacting the motor case.

**Do not change wiring or remove option unit while power is running through the drive.**

Failure to comply could result in death or serious injury.

Disconnect all power to the drive and check for unsafe voltages before servicing.

**Tighten all terminal screws to the specified tightening torque.**

Loose electrical connections could result in death or serious injury by fire due to overheating of electrical connections.

### NOTICE

**Observe proper electrostatic discharge procedures (ESD) when handling the drive and circuit boards.**

Failure to comply may result in ESD damage to the drive circuitry.

**Never connect or disconnect the motor from the drive while the drive is outputting voltage.**

Improper equipment sequencing could result in damage to the drive.

## 8.2 Drive Options and Peripheral Devices

The following table of peripheral devices lists the names of the various devices/options available for Yaskawa drives. Contact Yaskawa or your Yaskawa agent to order these peripheral devices.

- **Peripheral Device Selection:** Refer to Yaskawa catalog for selection and part numbers.
- **Peripheral Device Installation:** Refer to option manual for option installation instructions.

**Table 8.1 Available Peripheral Devices**

| Option                                     | Model Number   | Description   |
|--|--|---|
| <b>Power Options</b>                       |  |   |
| DC Link Choke                              | UZDA Series  | DC link choke to improve power factor   |
| AC Reactor                                 | UZBA Series  | AC reactor to improve power factor  |
| Braking Resistor <1>                       | ERF-150WJ Series                                     | 3% ED, 150 W braking resistor   |
| Surge Absorber                             | 200 V class: DCR2-□A<br>400 V class:<br>RFN3AL-504KD | Suppresses surge voltage caused by switching magnetic contactors  |
| Molded Case Circuit Breaker                | NF Series  | Circuit breaker for short circuit or overload protection<br><b>Note:</b> Yaskawa recommends installing an MCCB to the power supply side to protect drive wiring and to prevent other damage in the event of component failure. Install an MCCB if permitted by the power system.  |
| Ground Fault Circuit Interrupter (GFCI)    | NV, EG, or SG Series                                 | Provides protection against potentially harmful leakage currents<br><b>Note:</b> Yaskawa recommends installing a GFCI to the power supply side to protect drive wiring and to prevent other damage in the event of component failure. An MCCB can also be used if permitted by the power system.  |
| Magnetic Contactor (Input)                 | SC Series  | Prevents potential damage to the braking resistor and other internal circuitry by ensuring that power to drive is completely shut off when necessary. Install an MCCB when using a braking resistor to prevent the braking resistor from overheating. Wire the MC so that it opens when a fault output terminal is triggered to protect internal components from sudden high levels of input current. |
| <b>Interface Options</b>                   |  |   |
| Remote LED Operator                        | JVOP-182   | Remote operator with LED display and copy function; Cable length max. 3 m   |
| USB/Copy Unit                              | JVOP-181   | Allows the user to copy and verify parameter settings between drives. Can also be used as adapter to connect the drive to a PC USB port.<br><b>Note:</b> SI-232/JC option is required   |
| RS-232C Serial Communication Interface     | SI-232/JC  | RS-232/C communications interface to either connect the drive to a PC, to the optional copy unit, or to the external LED operator JVOP-182.   |
| Remote Operator Interface                  | SI-232/J   | RS-232/C communications interface for use with either the external LED operator JVOP-182, the optional copy unit, or for connecting to a PC.  |
| Potentiometer Option                       | AI-V3/J  | Potentiometer option for setting the frequency reference directly at the drive  |
| <b>Mechanical Options</b>                  |  |   |
| Heatsink External Mounting Attachment      | EZZ020568□   | Installation kit for mounting the drive with the heatsink outside of the panel (side-by-side mounting possible)   |
| DIN Rail Attachment                        | EZZ08122□  | Installation kit for mounting the drive on a DIN rail   |
| NEMA Type 1 Kit                            | EZZ020564□   | Parts to make the drive conform to NEMA Type 1 enclosure  |
| <b>Others</b>                              |  |   |
| Drive Wizard Plus                          | —  | PC tool for drive setup and parameter management<br>The installation files can be obtained at no charge from:<br>US: <a href="http://www.yaskawa.com">http://www.yaskawa.com</a><br>Other areas: Contact a Yaskawa representative.  |
| <b>Communication Options</b>               |  |   |
| RS-422/485 Serial Communications Interface | SI-485/J   | Interface for RS-422/RS-485 communications using the MEMOBUS/Modbus RTU protocol  |

<1> Contact Yaskawa or your nearest Yaskawa representative for more information.

### 8.3 Connecting Peripheral Devices

Figure 8.1 illustrates connections between the drive, motor, and various peripheral devices. Refer to peripheral device option manual for detailed installation instructions.

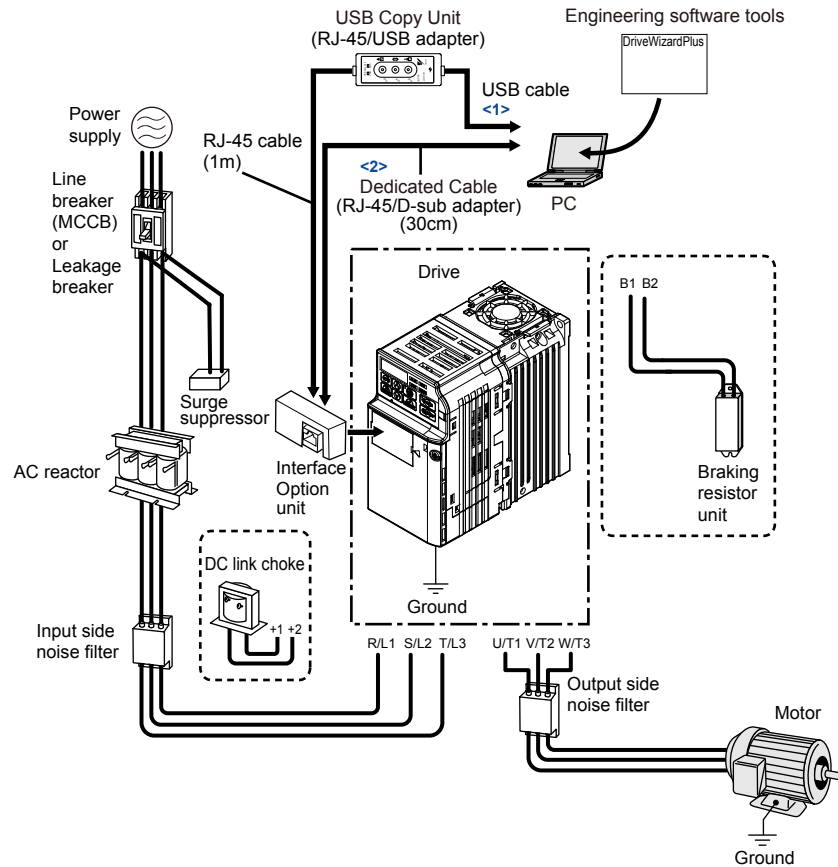


Figure 8.1 Connecting Peripheral Devices

<1> **NOTICE:** Do not connect the LAN port on a PC and the comm. port of the RS-232/C Interface Option Unit (SI-232/J and SI-232/JC). Failure to comply may damage the option unit and the PC. Use the USB Copy Unit with an RJ-45 cable and USB cable as shown in Figure 8.1 to connect the drive to a PC.

<2> The Interface Option Unit can be directly connected to a PC with a D-sub 9-pin connector. Use a cable designed for PC use (Yaskawa part number WV103).

**Note:** If the drive is set to trigger an output terminal when performing a fault restart (L5-02 = 1), the power supply will be shut off during fault restart as the drive outputs a fault signal. Keep this in mind when designing a wiring sequence to interrupt the power to the drive. The default setting for the drive is to not trigger an output terminal that indicates a fault restart is being performed (L5-02 = 0).



## 8.4 Installing Peripheral Devices

This section describes the proper steps and precautions to take when installing or connecting various peripheral devices to the drive.

Refer to peripheral device manual for detailed installation instructions.

**NOTICE:** Use a class 2 power supply (UL standard) when connecting to the control terminals. Improper application of peripheral devices could result in drive performance degradation due to improper power supply.

### ◆ Installing a Molded Case Circuit Breaker (MCCB) and Earth Leakage Circuit Breaker (ELCB)

Install an MCCB or ELCB for line protection between the power supply and the main circuit power supply input terminals R/L1, S/L2 and T/L3. This protects the main circuit and devices wired to the main circuit while also providing overload protection.

Consider the following when selecting and installing an MCCB or ELCB:

- The rated current of the MCCB or ELCB should be 1.5 to 2 times the rated output current of the drive. Use an MCCB or ELCB with operation characteristics that do not trip the MCCB or ELCB faster than the drive overload protection (shuts off the drive after 1 minute of operation at 150% of the drive rated current).
- If several drives are connected to one MCCB or an ELCB that is shared with other equipment, use a sequence that shuts the power OFF when errors are output by using magnetic contactor (MC) as shown in the following figure.

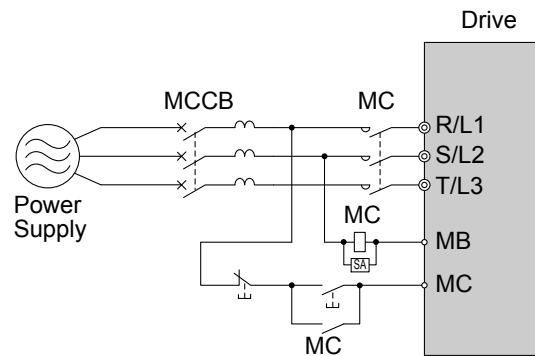


Figure 8.2 Connecting an MCCB

**WARNING!** Electrical Shock Hazard. Disconnect the MCCB (or ELCB) and MC before wiring terminals. Failure to comply may result in serious injury or death.

### ◆ Application Precautions when Installing a GFCI

Drive outputs generate high-frequency leakage current as a result of high-speed switching. Install a GFCI on the input side of the drive to switch off potentially harmful leakage current.

Factors in determining leakage current:

- Size of the AC drive
- AC drive carrier frequency
- Motor cable type and length
- EMI/RFI filter

If the GFCI trips spuriously, consider changing these items or use a GFCI with a higher trip level.

**Note:** Choose a GFCI designed specifically for an AC drive. The operation time should be at least 0.1 s with sensitivity amperage of at least 200 mA per drive. The output waveform of the drive may cause an increase in leakage current. This may in turn cause the leakage breaker to malfunction. Increase the sensitivity amperage or lower the carrier frequency to correct the problem.

### ◆ Installing a Magnetic Contactor

#### ■ Disconnecting the Power Supply

The drive should be shut off in the case of a fault in external equipment such as braking resistors through use of a Magnetic Contactor (MC).

## 8.4 Installing Peripheral Devices

**NOTICE:** Do not connect electromagnetic switches or MCs to the output motor circuits without proper sequencing. Improper sequencing of output motor circuits may cause damage to the drive.

**NOTICE:** Install an MC on the input side of the drive when the drive should not automatically restart after power loss. To get the full performance life out of the electrolytic capacitors and circuit relays, refrain from switching the MC more than once every 30 minutes. Frequent use can damage the drive. Use the drive to stop and start the motor.

- Note:**
1. Install an MC to the drive output to prevent the drive from restarting automatically when the power is restored after momentary power loss.
  2. Set up a delay for the MC so that it does not open prematurely for the drive to continue operating through momentary power loss.

### ■ Protecting the Braking Resistor or Braking Resistor Unit

Use an MC on the input side of the drive to protect a braking resistor or braking resistor unit from overheat or fire.

**WARNING! Fire Hazard.** When using a braking unit, use a thermal relay on the braking resistors and configure a fault contact output for the braking resistor unit to disconnect drive main power via an input contactor. Inadequate braking circuit protection could result in death or serious injury by fire from overheating resistors.

### ◆ Connecting an AC Reactor or DC Link Choke

AC reactors and DC link chokes suppress surges in current and improve the power factor on the input side of the drive.

Use an AC reactor, DC link choke, or both:

- To suppress harmonic current or improve the power factor of the power supply.
- When using a phase advancing capacitor switch.
- With a large capacity power supply transformer (over 600 kVA).

**Note:** Use an AC reactor or DC link choke when also connecting a thyristor converter (such as a DC drive) to the same power supply system, regardless of the conditions of the power supply.

### ■ Connecting an AC Reactor

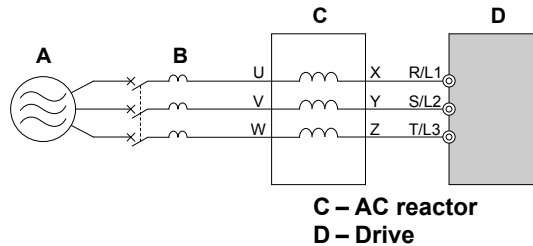


Figure 8.3 Connecting an AC Reactor

### ■ Connecting a DC Link Choke

Ensure the jumper between terminals +1 and +2 (terminals are jumpered for shipment) is removed when connecting a DC link choke. The jumper must be installed if no DC link choke is used. [Refer to Connecting a DC Link Choke on page 170](#) for an example of DC link choke wiring.

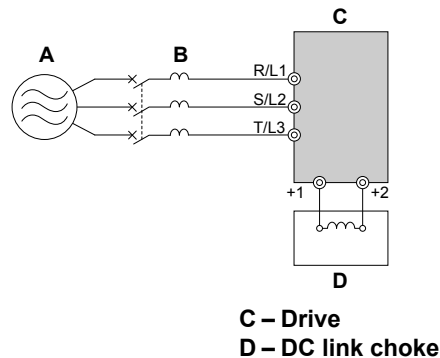


Figure 8.4 Connecting a DC Link Choke

## ◆ Connecting a Surge Suppressor

A surge suppressor suppresses transient voltages generated from switching an inductive load near the drive. Inductive loads include magnetic contactors, relays, valves, solenoids and brakes. Always use a surge suppressor or diode when operating with an inductive load.

**Note:** Never connect a surge suppressor to the drive output.

## ◆ Connecting a Noise Filter

### ■ Input-Side Noise Filter

Drive outputs generate noise as a result of high-speed switching. This noise flows from inside the drive back toward the power supply, possibly affecting other equipment. Installing a noise filter to the input side of the drive can reduce the amount of noise flowing back into the power supply. This also prevents noise from entering the drive from the power supply.

- Use a noise filter specifically designed for AC drives.
- Install the noise filter as close as possible to the drive.

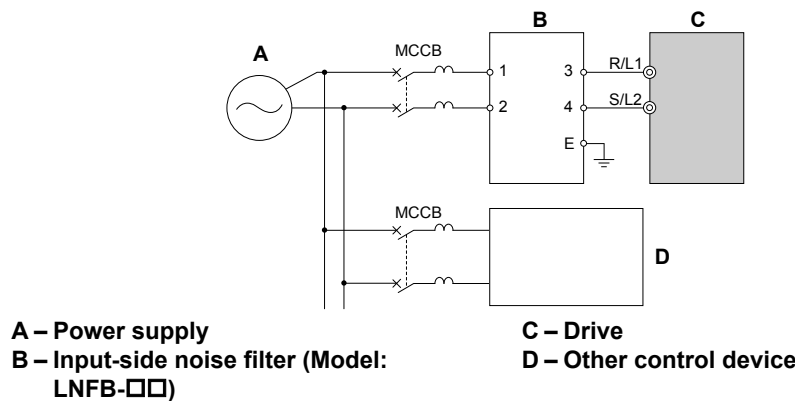


Figure 8.5 Input-Side Noise Filter (Single-Phase 200 V)

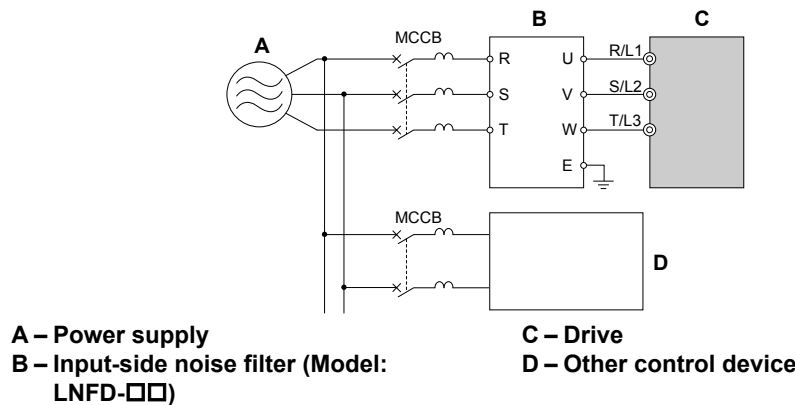


Figure 8.6 Input-Side Noise Filter (Three-Phase 200/400 V)

*Refer to EMC Filter Installation on page 242* for details about EMC filter selection and installation in order to make the drive compliant with European standards EN 61800-3:2004/A1:2012 and the EMC guidelines.

### ■ Output-Side Noise Filter

A noise filter on the output side of the drive reduces inductive noise and radiated noise. *Figure 8.7* illustrates an example of output-side noise filter wiring.

**NOTICE:** Do not connect phase-advancing capacitors or LC/RC noise filters to the output circuits. Improper application of noise filters could result in damage to the drive.

## 8.4 Installing Peripheral Devices

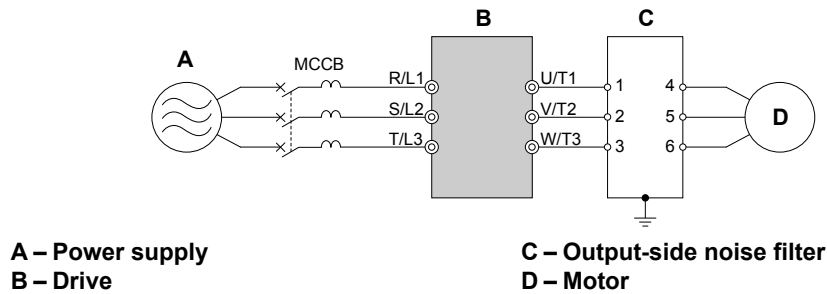


Figure 8.7 Output-Side Noise Filter

- **Radiated Noise:** Electromagnetic waves radiated from the drive and cables create noise throughout the radio bandwidth that can affect devices.
- **Induced Noise:** Noise generated by electromagnetic induction can affect the signal line and may cause the controller to malfunction.

### Preventing Induced Noise

Use a noise filter on the output side or use shielded cables. Lay the cables at least 30 cm away from the signal line to prevent induced noise.

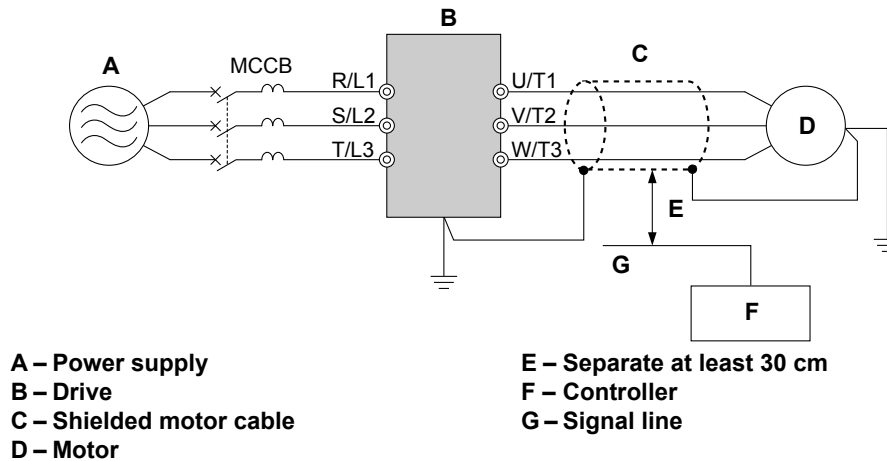


Figure 8.8 Preventing Induced Noise

### Reducing Radiated/Radio Frequency Noise

The drive, input lines, and output lines generate radio frequency noise. Use noise filters on input and output sides and install the drive in a metal enclosure panel to reduce radio frequency noise.

**Note:** The cable running between the drive and motor should be as short as possible.

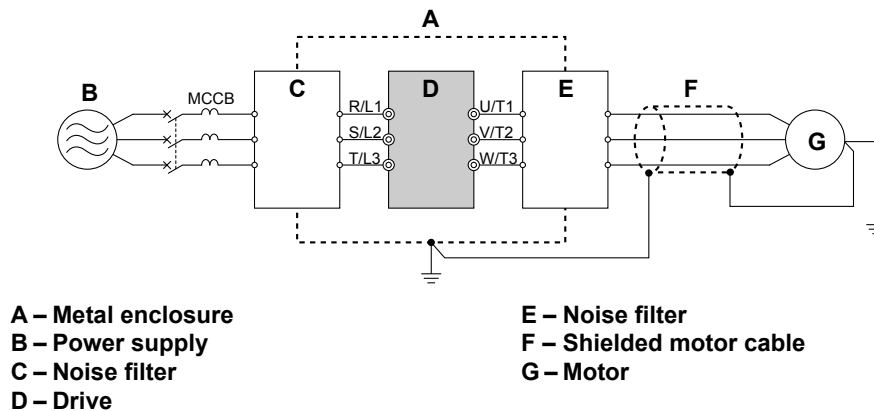


Figure 8.9 Reducing Radio Frequency Noise

## ◆ EMC Filter Installation

This drive is tested according to European standards IEC/EN 61800-5-1 and it complies with the EMC guidelines. [Refer to EMC Filter Installation on page 242](#) for details about EMC filter selection and installation.

## ◆ Zero-Phase Reactor

A zero-phase reactor can be used to reduce the noise on the input and output sides of the drive.

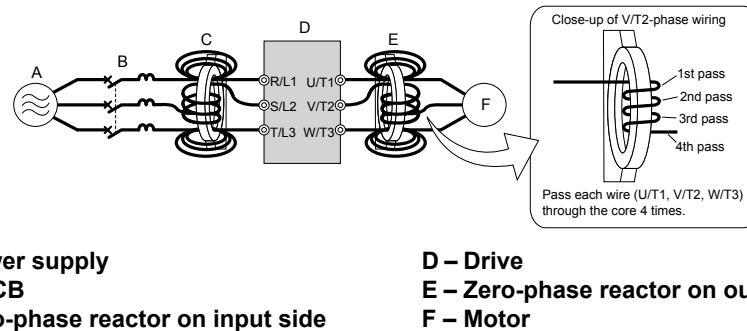


Figure 8.10 Zero-Phase Reactor

## ◆ Installing Fuses on the Input Side

Always install input fuses to the input side of the as a protective measure against damage caused by a short circuit. [Refer to Factory Recommended Drive Branch Circuit Protection on page 249](#) for details on input fuse selection.

## ◆ Attachment for External Heatsink

An external attachment can be used to project the heatsink outside of an enclosure to ensure that there is sufficient air circulation around the heatsink. This installation method still requires a certain amount of airflow over the drive case. [Refer to Output Current Derating Due to Ambient Temperature on page 188](#) if derating is required. Contact a Yaskawa sales representative for more information.

## ◆ Noise Filter Installation

This drive has undergone testing in conformance with IEC/EN 61800-5-1 and is in compliance with low voltage directives. [Refer to EMC Guidelines Compliance on page 242](#) for information on selecting a noise filter.

## ◆ Installing a Motor Thermal Overload (oL) Relay on the Drive Output

Motor thermal overload relays protect the motor by disconnecting power lines to the motor due to a motor overload condition. Install a motor thermal overload relay between the drive and motor:

- When operating multiple motors on a single AC drive.
- When using a power line bypass to operate the motor directly from the power line.

It is not necessary to install a motor thermal overload relay when operating a single motor from a single AC drive. The AC drive has UL recognized electronic motor overload protection built into the drive software.

**Note:** Disable the motor protection function (L1-0 1 = "0") when using an external motor thermal overload relay. The relay should shut off main power on the input side of the main circuit when triggered.

## ■ General Precautions when Using Thermal Overload Relays

The following application precautions should be considered when using motor thermal overload relays on the output of AC drives in order to prevent nuisance trips or overheat of the motor at low speeds:

- Low speed motor operation
- Use of multiple motors on a single AC drive
- Motor cable length
- Nuisance tripping resulting from high AC drive carrier frequency

## 8.4 Installing Peripheral Devices

### Low Speed Operation and Motor Thermal oL Relays

Generally, thermal relays are applied on general-purpose motors. When general-purpose motors are driven by AC drives, the motor current is approximately 5 to 10% greater than if driven by the commercial power supply. In addition, the cooling capacity of a motor with a shaft-driven fan decreases when operating at low speeds. Even if the load current is within the motor rated value, motor overheating may occur. A thermal relay cannot effectively protect the motor due to the reduction of cooling at low speeds. For this reason, apply the UL recognized electronic thermal overload protection function built into the drive whenever possible.

**UL recognized electronic thermal overload function of the drive:** Speed-dependent heat characteristics are simulated using data from standard motors and force-ventilated motors. The motor is protected from overload using this function.

### Using One Drive with Multiple Motors

Turn off the electronic thermal overload function. Please refer to the appropriate product instruction manual to determine which parameter disables this function.

The UL recognized electronic thermal overload function of the drive cannot be applied when using multiple motors on one drive.

### Long Motor Cables

When long motor cables and high carrier frequency are used, nuisance tripping of the thermal relay may occur due to increased leakage current. Therefore, reduce the carrier frequency or increase the tripping level of the thermal overload relay.

### Nuisance Tripping Resulting from High AC Drive Carrier Frequency

Current waveforms generated by high carrier frequency PWM drives tend to create additional temperature rise in overload relays. Therefore, it may be necessary to increase the trip level setting when encountering nuisance triggering of the relay.

**WARNING! Fire Hazard.** Confirm an actual motor overload condition is not present prior to increasing the thermal oL trip setting. Check local electrical codes before making adjustments to motor thermal overload settings.

## ◆ NEMA Type 1 Kit

**WARNING! Fire Hazard.** Provide sufficient cooling when installing the drive inside an enclosed panel or cabinet. Failure to comply could result in overheating and fire. When multiple drives are placed inside the same enclosure panel, install proper cooling to ensure air entering the enclosure does not exceed 40 °C.

The optional NEMA Type 1 kit can be installed to raise the enclosure protection level of an IP20/Open-Chassis drive to NEMA Type 1. Drives with a NEMA Type 1 kit cannot be installed using side-by-side mounting unless the top cover is removed. The drive does not retain NEMA Type 1 integrity with the top cover removed. *Refer to Installation Orientation and Spacing on page 27* for installation instructions.

## ■ Installation Environment

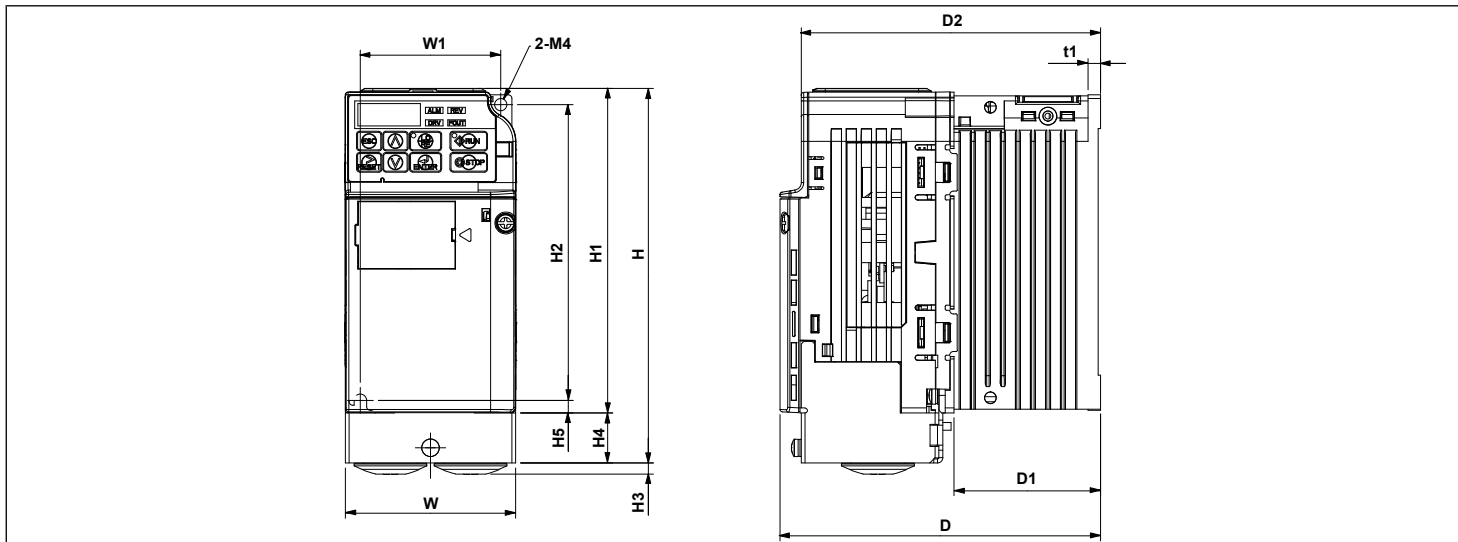
Table 8.2 Installation Environment

| Environment         | Conditions   |
|---------------------|--|
| Ambient Temperature | -10 °C to +40 °C (NEMA Type 1/wall-mounted enclosure)<br>Drive reliability improves in environments without wide temperature fluctuations.<br>When using an enclosure panel, install a cooling fan or air conditioner in the area to ensure that the air temperature inside the enclosure does not exceed the specified levels.<br>Do not allow ice to develop on the drive. |

*Refer to Installation Environment on page 26* for all other installation environment specifications.

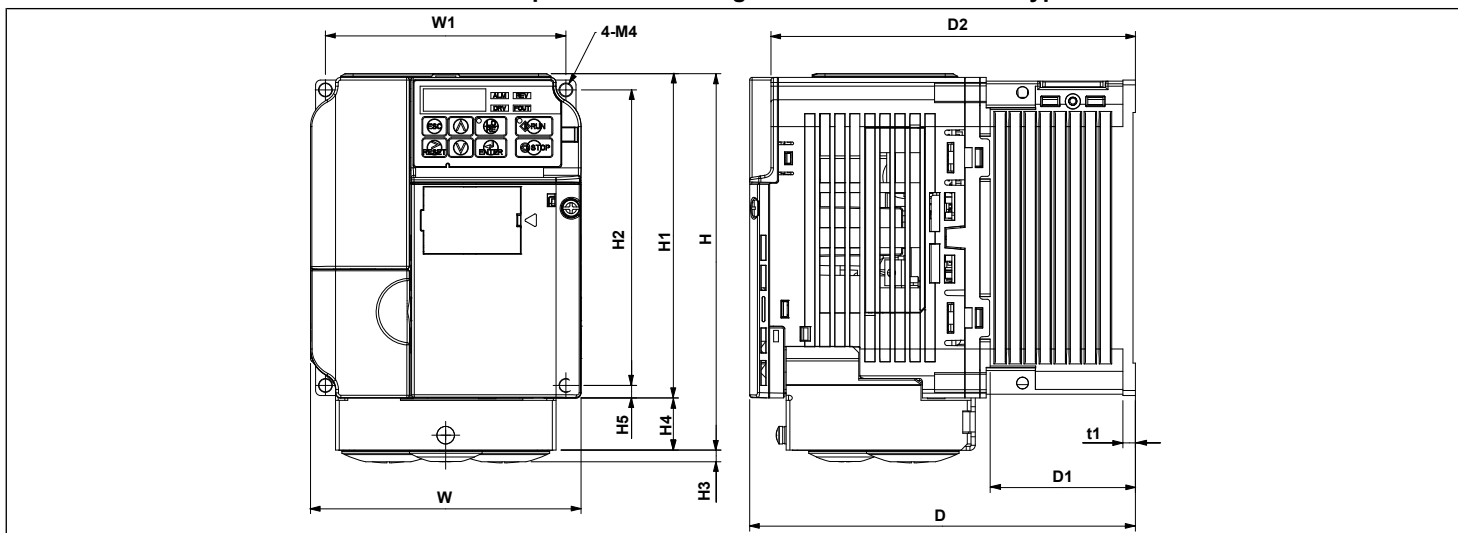
■ Exterior and Mounting Dimensions for NEMA Type 1 Kit

Table 8.3 IP20/Open-Chassis Design Fitted with the NEMA Type 1 Kit



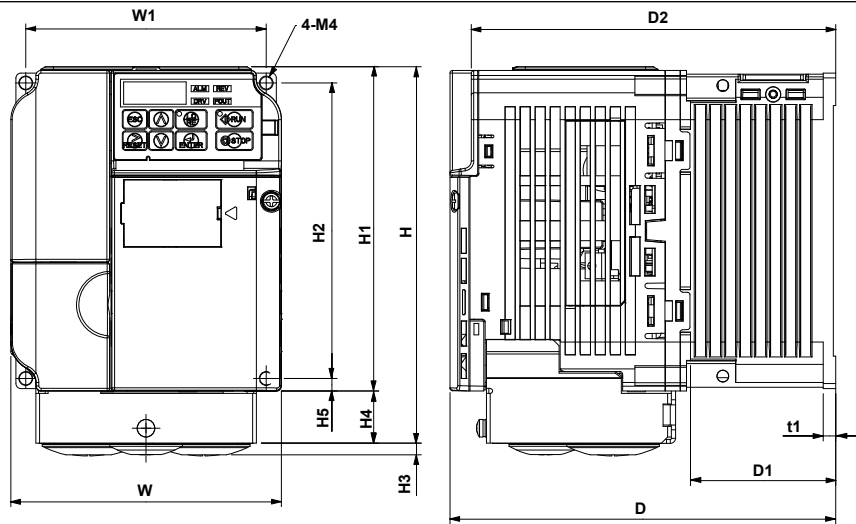
| Drive Model                     | NEMA Type 1 Kit Model EZZ | Dimensions (in) |     |     |     |     |     |     |     |     |      |     |     |     | Wt. (lb) |
|---------------------------------|---------------------------|-----------------|-----|-----|-----|-----|-----|-----|-----|-----|------|-----|-----|-----|----------|
|                                 |                           | W               | H   | D   | W1  | H1  | H2  | H3  | H4  | H5  | H6   | D1  | D2  | t1  |          |
| <b>Single-Phase 200 V Class</b> |                           |                 |     |     |     |     |     |     |     |     |      |     |     |     |          |
| BA0001B                         | 020564A                   | 2.7             | 5.8 | 3.0 | 2.2 | 5.0 | 4.6 | 0.2 | 0.8 | 0.2 | 0.06 | 0.3 | 2.7 | 0.1 | 1.8      |
| BA0002B                         | 020564A                   | 2.7             | 5.8 | 3.0 | 2.2 | 5.0 | 4.6 | 0.2 | 0.8 | 0.2 | 0.06 | 0.3 | 2.7 | 0.1 | 1.8      |
| BA0003B                         | 020564B                   | 2.7             | 5.8 | 4.6 | 2.2 | 5.0 | 4.6 | 0.2 | 0.8 | 0.2 | 0.06 | 1.5 | 4.3 | 0.2 | 2.7      |
| <b>Three-Phase 200 V Class</b>  |                           |                 |     |     |     |     |     |     |     |     |      |     |     |     |          |
| 2A0001B                         | 020564A                   | 2.7             | 5.8 | 3.0 | 2.2 | 5.0 | 4.6 | 0.2 | 0.8 | 0.2 | 0.06 | 0.3 | 2.7 | 0.1 | 1.8      |
| 2A0002B                         | 020564A                   | 2.7             | 5.8 | 3.0 | 2.2 | 5.0 | 4.6 | 0.2 | 0.8 | 0.2 | 0.06 | 0.3 | 2.7 | 0.1 | 1.8      |
| 2A0004B                         | 020564A                   | 2.7             | 5.8 | 4.3 | 2.2 | 5.0 | 4.6 | 0.2 | 0.8 | 0.2 | 0.06 | 1.5 | 3.9 | 0.1 | 2.4      |
| 2A0006B                         | 020564A                   | 2.7             | 5.8 | 5.0 | 2.2 | 5.0 | 4.6 | 0.2 | 0.8 | 0.2 | 0.06 | 2.3 | 4.7 | 0.1 | 2.9      |

Table 8.4 IP20/Open-Chassis Design Fitted with the NEMA Type 1 Kit



| Drive Model                     | NEMA Type 1 Kit Model EZZ | Dimensions (in) |     |     |     |     |      |     |     |     |      |     |     |     | Wt. (lb) |
|---------------------------------|---------------------------|-----------------|-----|-----|-----|-----|------|-----|-----|-----|------|-----|-----|-----|----------|
|                                 |                           | W               | H   | D   | W1  | H1  | H2   | H3  | H4  | H5  | H6   | D1  | D2  | t1  |          |
| <b>Single-Phase 200 V Class</b> |                           |                 |     |     |     |     |      |     |     |     |      |     |     |     |          |
| BA0006B                         | 020564C                   | 4.3             | 5.9 | 5.4 | 3.8 | 5.0 | 0.18 | 0.2 | 0.8 | 0.2 | 0.06 | 2.3 | 5.1 | 0.2 | 4.2      |
| BA0010B                         | 020564D                   | 4.3             | 5.9 | 6.1 | 3.8 | 5.0 | 0.18 | 0.2 | 0.8 | 0.2 | 0.06 | 2.3 | 5.7 | 0.2 | 4.4      |

## 8.4 Installing Peripheral Devices



| Drive Model                    | NEMA Type 1 Kit Model EZZ | Dimensions (in) |     |     |     |     |      |     |     |     |      |     |     |     | Wt. (lb) |  |
|--------------------------------|---------------------------|-----------------|-----|-----|-----|-----|------|-----|-----|-----|------|-----|-----|-----|----------|--|
|                                |                           | W               | H   | D   | W1  | H1  | H2   | H3  | H4  | H5  | H6   | D1  | D2  | t1  |          |  |
| <b>Three-Phase 200 V Class</b> |                           |                 |     |     |     |     |      |     |     |     |      |     |     |     |          |  |
| 2A0010B                        | 020564G                   | 4.3             | 5.9 | 5.1 | 3.8 | 5.0 | 0.18 | 0.2 | 0.8 | 0.2 | 0.06 | 2.3 | 4.7 | 0.2 | 4.2      |  |
| 2A0012B                        | 020564C                   | 4.3             | 5.9 | 5.4 | 3.8 | 5.0 | 0.18 | 0.2 | 0.8 | 0.2 | 0.06 | 2.3 | 5.1 | 0.2 | 4.2      |  |
| 2A0020B                        | 020564H                   | 4.3             | 5.9 | 5.6 | 5.0 | 5.0 | 0.18 | 0.2 | 0.8 | 0.2 | 0.2  | 2.6 | 5.3 | 0.2 | 5.7      |  |
| <b>Three-Phase 400 V Class</b> |                           |                 |     |     |     |     |      |     |     |     |      |     |     |     |          |  |
| 4A0001B                        | 020564G                   | 4.3             | 5.9 | 3.2 | 3.8 | 5.0 | 0.18 | 0.2 | 0.8 | 0.2 | 0.06 | 0.4 | 2.9 | 0.2 | 2.6      |  |
| 4A0002B                        | 020564G                   | 4.3             | 5.9 | 3.9 | 3.8 | 5.0 | 0.18 | 0.2 | 0.8 | 0.2 | 0.06 | 1.1 | 3.6 | 0.2 | 3.1      |  |
| 4A0004B                        | 020564C                   | 4.3             | 5.9 | 5.4 | 3.8 | 5.0 | 0.18 | 0.2 | 0.8 | 0.2 | 0.06 | 2.3 | 5.1 | 0.2 | 4.2      |  |
| 4A0005B                        | 020564J                   | 4.3             | 5.9 | 6.1 | 3.8 | 5.0 | 0.18 | 0.2 | 0.8 | 0.2 | 0.06 | 2.3 | 5.7 | 0.2 | 4.2      |  |
| 4A0007B                        | 020564J                   | 4.3             | 5.9 | 6.1 | 3.8 | 5.0 | 0.18 | 0.2 | 0.8 | 0.2 | 0.06 | 2.3 | 5.7 | 0.2 | 4.2      |  |
| 4A0009B                        | 020564J                   | 4.3             | 5.9 | 6.1 | 3.8 | 5.0 | 0.18 | 0.2 | 0.8 | 0.2 | 0.06 | 2.3 | 5.7 | 0.2 | 4.2      |  |
| 4A0011B                        | 020564H                   | 4.3             | 5.9 | 5.6 | 5.0 | 5.0 | 0.18 | 0.2 | 0.8 | 0.2 | 0.2  | 2.6 | 5.3 | 0.2 | 5.7      |  |



## ■ Removing the Protective Covers on a NEMA Type 1 Design (Using the NEMA Type 1 Kit Option for the NEMA Type 1 Rating)

1. Loosen the screw on the front cover to remove the front cover.

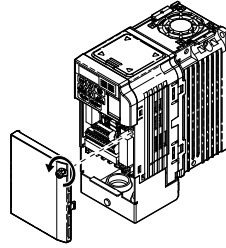


Figure 8.11 Remove the Front Cover

2. Loosen the screw on the terminal cover (**Figure 8.12, B**) to remove the terminal cover and expose the conduit bracket (**Figure 8.12, A**).

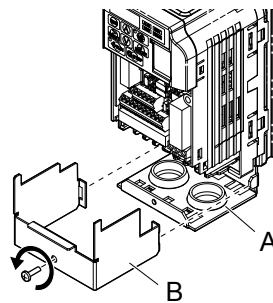


Figure 8.12 Remove the Terminal Cover

3. Loosen two screws attaching the conduit bracket (**Figure 8.13, A**) to remove.

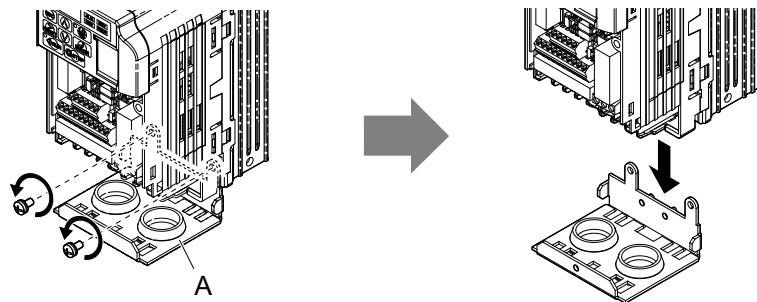
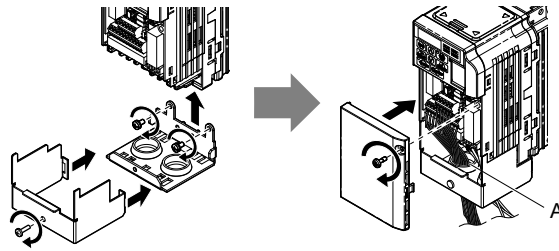


Figure 8.13 Remove the Conduit Bracket

## ■ Reattaching the Protective Covers

Pass power wiring and control signal wiring through the exit holes on the bottom of the conduit bracket of the drive. Place power wiring and control signal wiring in separate conduits. Properly connect all wiring after installing the drive and connecting other devices. Reattach all protective covers when wiring is complete.



**A** –Pass power wiring and control signal wiring through different exit holes at the bottom of the drive.

**Figure 8.14 Reattach the Protective Covers and Conduit Bracket**

## 8.5 Options

**Table 8.5** and **Table 8.6** give detailed information about the available options that allow Yaskawa drives to connect to communication networks. A host controller can control and monitor the drive, read and change parameters by using a communication option. Contact Yaskawa or your Yaskawa agent to order options.

- **Option Selection:** Refer to Yaskawa catalog for more details on option card selection and part numbers.
- **Option Installation:** Refer to option unit manual for option unit installation instructions.

### ◆ Interface Options

**Table 8.5 Interface Option Units**

| Option   | Model     | Function   |
|--|-----------|--|
| RS-232C Interface  | SI-232/J  | Allows the user to connect an extension cable for remote operation and for use with Drive Wizard Plus.                       |
| RS-232C Interface (Removable)                            | SI-232/JC | Allows the user to take advantage of the USB Copy Unit option and the Remote LED Operator option.                            |
| RS-422/RS-485 Interface for MEMOBUS/Modbus Communication | SI-485/J  | Allows the drive to connect to a network using MEMOBUS/Modbus RTU protocol. Option includes a communication cable connector. |
| Potentiometer  | AI-V3/J   | Allows for easier speed control.   |

### ◆ Other Options

**Table 8.6 Other Options**

| Option              | Model    | Function  |
|---------------------|----------|---|
| Remote LED Operator | JVOP-182 | Allows for remote operation when using the optional LED operator. This option is used in combination with the LED extension cable and the RS-232C interface. Option includes a Copy function for saving drive settings. |
| USB Copy Unit       | JVOP-181 | Saves and transfers parameter settings and connects to a PC for operation with Drive Wizard Plus. This option is used in combination with the RS-232C interface.  |

**This Page Intentionally Blank**

# Appendix: A

## Specifications

---

|            |   |            |
|------------|---|------------|
| <b>A.1</b> | <b>HEAVY DUTY AND NORMAL DUTY RATINGS.....</b>    | <b>182</b> |
| <b>A.2</b> | <b>SINGLE/THREE-PHASE 200 V CLASS DRIVES.....</b> | <b>183</b> |
| <b>A.3</b> | <b>THREE-PHASE 400 V CLASS DRIVES.....</b>        | <b>184</b> |
| <b>A.4</b> | <b>DRIVE SPECIFICATIONS.....</b>                  | <b>185</b> |
| <b>A.5</b> | <b>DRIVE WATT LOSS DATA.....</b>                  | <b>187</b> |
| <b>A.6</b> | <b>DRIVE DERATING DATA.....</b>                   | <b>188</b> |

# A.1 Heavy Duty and Normal Duty Ratings

The capacity of the drive is based on two types of load characteristics: Heavy Duty (HD) and Normal Duty (ND).

*Refer to [Selecting the Appropriate Load Rating on page 182](#) for the differences between HD and ND. Specifications for capacity ratings are listed on the following pages.*

**Table A.1 Selecting the Appropriate Load Rating**

| Setting Parameter<br>C6-01  | Rated Output Current             | Overload Tolerance                                    | Default Carrier Frequency   |
|-----------------------------|----------------------------------|---|-----------------------------|
| 0: Heavy Duty               | HD Rating<br>varies by model </> | 150% rated output current for 60 s                    | 8/10 kHz<br>varies by model |
| 1: Normal Duty<br>(default) | ND Rating<br>varies by model </> | 120% rated output current for 60 s<br>varies by model | 2 kHz, Swing PWM            |

</> The following pages list information on rating changes based on drive model.



- **HD and ND:** HD refers to applications requiring constant torque output, while ND refers to applications with variable torque needs. The drive allows the user to select HD or ND torque depending on the application. Fans, pumps, and blowers should use ND (C6-01 = 1), and other applications generally use HD (C6-01 = 0).
- **Swing PWM:** Swing PWM equivalent to a 2 kHz audible noise. This function turns the motor noise into a less obtrusive white noise.

**Note:** Differences between HD ratings and ND ratings for the drive include rated input and output current, overload capacity, carrier frequency, and current limit. The default setting is for ND (C6-01 = 1).

## A.2 Single/Three-Phase 200 V Class Drives

Table A.2 Power Ratings

| Item                                |                                 |  | Specification  |          |            |           |           |         |          |          |
|-------------------------------------|---------------------------------|--|--|----------|------------|-----------|-----------|---------|----------|----------|
| Three-Phase Drive Model             |                                 |  | 2A0001   | 2A0002   | 2A0004     | 2A0006    | 2A0010    | 2A0012  | 2A0020   |          |
| Single-Phase Drive Model <1>        |                                 |  | BA0001   | BA0002   | BA0003     | BA0006    | BA0010    | -       | -        |          |
| Maximum Motor Size Allowed (HP) <2> |                                 | ND Rating  | 0.125 & 0.25   | 0.25     | 0.5 & 0.75 | 1.0 & 1.5 | 2.0 & 3.0 | 3.0     | 5.0      |          |
|                                     |                                 | HD Rating  | 0.125  | 0.25     | 0.5        | 0.75 & 1  | 2.0       | 3.0     | 5.0      |          |
| Input                               | Input Current (A) <3>           | Three-Phase  | ND Rating  | 1.1      | 1.9        | 3.9       | 7.3       | 10.8    | 13.9     | 24.0     |
|                                     |                                 |  | HD Rating  | 0.7      | 1.5        | 2.9       | 5.8       | 7.5     | 11.0     | 18.9     |
|                                     |                                 | Single-Phase   | ND Rating  | 2.0      | 3.6        | 7.3       | 13.8      | 20.2    | -        | -        |
|                                     |                                 |  | HD Rating  | 1.4      | 2.8        | 5.5       | 11.0      | 14.1    | -        | -        |
| Output                              | Rated Output Capacity (kVA) <4> |  | ND Rating  | 0.5      | 0.7        | 1.3       | 2.3       | 3.7     | 4.6      | 7.5      |
|                                     |                                 |  | HD Rating  | 0.3      | 0.6        | 1.1       | 1.9       | 3.0     | 4.2      | 6.7      |
|                                     | Output Current (A)              |  | ND Rating <5>  | 1.2      | 1.9        | 3.5 (3.3) | 6.0       | 9.6     | 12.0     | 19.6     |
|                                     |                                 |  | HD Rating  | 0.8 <6>  | 1.6 <6>    | 3.0 <6>   | 5.0 <6>   | 8.0 <7> | 11.0 <7> | 17.5 <7> |
|                                     | Overload Tolerance              |  | ND Rating: 120% of rated output current for 1 minute<br>HD Rating: 150% of rated output current for 1 minute<br>(Derating may be required for applications that start and stop frequently) |          |            |           |           |         |          |          |
|                                     | Carrier Frequency               |  | 2 kHz (user-set, 2 to 15 kHz)  |          |            |           |           |         |          |          |
|                                     | Max Output Voltage (V)          |  | Three-phase power: 200 to 240 V<br>Single-phase power: 200 to 240 V<br>(both proportional to input voltage)  |          |            |           |           |         |          |          |
|                                     | Max Output Frequency (Hz)       |  | 400 Hz (user-adjustable)   |          |            |           |           |         |          |          |
| Rated Voltage<br>Rated Frequency    |                                 | Three-phase power: 200 to 240 V 50/60 Hz<br>Single-phase power: 200 to 240 V 50/60 Hz<br>DC power supply: 270 to 340 V <8> |  |          |            |           |           |         |          |          |
| Allowable Voltage Fluctuation       |                                 | -15 to 10%   |  |          |            |           |           |         |          |          |
| Allowable Frequency Fluctuation     |                                 | ±5%  |  |          |            |           |           |         |          |          |
| Harmonic Corrective Actions         |                                 | DC Link Choke  |  | Optional |            |           |           |         |          |          |

- <1> Drives with a single-phase power supply input will output three-phase power and cannot run a single-phase motor.
- <2> Horsepower rating is based on 230 V Induction-Type Squirrel Cage NEMA B 4-Pole Motors as represented in NEC Table 430.250 Full-Load Current, Three-Phase Alternating-Current Motors.
- <3> Input current rating varies depending on the power supply transformer, input reactor, wiring connections, and power supply impedance.
- <4> Rated motor capacity is calculated with a rated output voltage of 220 V.
- <5> Carrier frequency is set to 2 kHz (Swing PWM). Current derating is required to raise the carrier frequency.
- <6> Carrier frequency is set to 10 kHz. Current derating is required to raise the carrier frequency.
- <7> Carrier frequency is set to 8 kHz. Current derating is required to raise the carrier frequency.
- <8> DC is not available for UL standards.

**Note:** Differences between Heavy Duty (HD) ratings and Normal Duty (ND) ratings for the drive include rated input and output current, overload capacity, carrier frequency and current limit. Set parameter C6-01 to “0” for HD or “1” for ND (default).

## A.3 Three-Phase 400 V Class Drives

Table A.3 Power Ratings

| Item                                       |                                  | Specification   |  |          |        |        |        |        |      |
|--|----------------------------------|---|--|----------|--------|--------|--------|--------|------|
| Three-Phase Drive Model                    |                                  | 4A0001  | 4A0002   | 4A0004   | 4A0005 | 4A0007 | 4A0009 | 4A0011 |      |
| Maximum Applicable Motor Capacity (HP) <1> | ND Rating                        | 0.5   | 0.75 & 1   | 2        | 3      | 4      | 5      | 7.5    |      |
|  | HD Rating                        | 0.5   | 0.75   | 1 & 2    | 3      | 3      | 3      | 5      |      |
| Input                                      | Input Current (A) <2>            | ND Rating   | 1.2  | 2.1      | 4.3    | 5.9    | 8.1    | 9.4    | 14.0 |
|  |                                  | HD Rating   | 1.2  | 1.8      | 3.2    | 4.4    | 6.0    | 8.2    | 10.4 |
| Output                                     | Output Current (kVA) <3>         | ND Rating <4>   | 0.9  | 1.6      | 3.1    | 4.1    | 5.3    | 6.7    | 8.5  |
|  |                                  | HD Rating <5>   | 0.9  | 1.4      | 2.6    | 3.7    | 4.2    | 5.5    | 7.0  |
|  | Output Current (A)               | ND Rating <4>   | 1.2  | 2.1      | 4.1    | 5.4    | 6.9    | 8.8    | 11.1 |
|  |                                  | HD Rating <5>   | 1.2  | 1.8      | 3.4    | 4.8    | 5.5    | 7.2    | 9.2  |
|  | Overload Tolerance               |   | ND Rating: 120% of rated output current for 60 s<br>HD Rating: 150% of rated output current for 60 s<br>(Derating may be required for applications that start and stop frequently) |          |        |        |        |        |      |
|  | Carrier Frequency                |   | 2 kHz (user-adjustable from 2 to 15 kHz)   |          |        |        |        |        |      |
| Maximum Output Voltage (V)                 |                                  | Three-phase power: 380 to 480 V (proportional to input voltage) |  |          |        |        |        |        |      |
| Maximum Output Frequency (Hz)              |                                  | 400 Hz (user-adjustable)  |  |          |        |        |        |        |      |
| Power Supply                               | Rated Voltage<br>Rated Frequency |   | Three-phase power: 380 to 480 V 50/60 Hz<br>DC power supply: 510 to 680 V <6>  |          |        |        |        |        |      |
|  | Allowable Voltage Fluctuation    |   | -15 to 10%   |          |        |        |        |        |      |
|  | Allowable Frequency Fluctuation  |   | ±5%  |          |        |        |        |        |      |
| Harmonic Corrective Actions                |                                  | DC Link Choke   |  | Optional |        |        |        |        |      |

<1> Horsepower rating is based on 460 V Induction-Type Squirrel Cage NEMA B 4-Pole Motors as represented in NEC Table 430.250 Full-Load Current, Three-Phase Alternating-Current Motors.

<2> Input current rating varies depending on the power supply transformer, input reactor, wiring conditions, and power supply impedance.

<3> Rated motor capacity is calculated with a rated output voltage of 440 V.

<4> Carrier frequency is set to 2 kHz (Swing PWM). Current derating is required to raise the carrier frequency.

<5> Carrier frequency is set to 8 kHz. Current derating is required to raise the carrier frequency.

<6> DC is not available for UL standards.

**Note:** Differences between Heavy Duty (HD) ratings and Normal Duty (ND) ratings for the drive include rated input and output current, overload capacity, carrier frequency and current limit. Set parameter C6-01 to “0” for HD or “1” for ND (default).



## A.4 Drive Specifications

**Note:** For optimum performance life of the drive, install the drive in an environment that meets the environmental conditions.

|                         | Item  | Specification  |
|-------------------------|---|--|
| Control Characteristics | Control Method  | V/f Control  |
|                         | Frequency Control Range   | 0.01 to 400 Hz   |
|                         | Frequency Accuracy  | Digital input: within $\pm 0.01\%$ of the max output frequency (-10 to +50 °C)<br>Analog input: within $\pm 0.5\%$ of the max output frequency (25 °C $\pm 10$ °C)   |
|                         | Frequency Setting Resolution  | Digital inputs: 0.01 Hz<br>Analog inputs: 1/1000 of maximum output frequency   |
|                         | Output Frequency Calculation Resolution   | $1/2^{20}$ x Maximum output frequency (E1-04)  |
|                         | Frequency Setting Signal  | Main frequency reference: 0 to +10 Vdc (20 k $\Omega$ ), 4 to 20 mA (250 $\Omega$ ), 0 to 20 mA (250 $\Omega$ )  |
|                         | Starting Torque   | 150%/3 Hz  |
|                         | Speed Control Range   | 1: 20-40   |
|                         | Accel/Decel Time  | 0.00 to 6000.0 s (allows four separate settings for accel and decel)   |
|                         | Braking Torque  | Instantaneous Average Decel Torque $\langle \triangleright \rangle$ : 0.1/0.2 kW: over 150%, 0.4/0.75 kW: over 100%, 1.5 kW: over 50%, 2.2 kW and above: over 20%<br>Continuous Regen Torque: 20%, 125% with a Braking Resistor Unit $\langle \triangleright \rangle$ : (10% ED) 10 s with an internal braking resistor. |
|                         | V/f Characteristics   | User-set, programmable.  |
| Functions               | <ul style="list-style-type: none"> <li>• Momentary Power Loss Ride-Thru</li> <li>• Speed Search</li> <li>• Multi-Step Speed (9 steps max)</li> <li>• Accel/Decel Time Switch</li> <li>• S-Curve Accel/Decel</li> <li>• 2-Wire/3-Wire Sequence</li> <li>• Cooling Fan ON/OFF</li> <li>• Slip Compensation</li> <li>• Torque Compensation</li> <li>• Jump Frequencies (reference dead band)</li> <li>• Frequency Reference Upper/Lower Limit</li> <li>• DC Injection Braking (start and stop)</li> <li>• Overexcitation Braking</li> <li>• Fault Reset</li> </ul> |  |
| Protection Functions    | Motor Protection  | Motor overheat protection via output current sensor  |
|                         | Overcurrent Protection  | Drives stops when output exceeds 200% of the rated current (Heavy Duty)  |
|                         | Overload Protection   | A stop command will be entered after operating at 150% for 60 s (Heavy Duty) $\langle \triangleright \rangle$  |
|                         | Overvoltage Specification   | 200 V class: Stops when DC bus voltage exceeds approximately 410 V<br>400 V class: Stops when DC bus voltage exceeds approximately 820 V   |
|                         | Low Voltage Protection  | Drive stops when DC bus voltage falls below the levels indicated:<br>190 V (3-phase 200 V), 160 V (single-phase 200 V), 380 V (3-phase 400 V), 350 V (3-phase 380 V)   |
|                         | Momentary Power Loss Ride-Thru  | Stops after 15 ms  |
|                         | Heatsink Overheat Protection  | Protected by thermistor  |
|                         | Braking Resistor Overheat Protection  | Overheat input signal for braking resistor (Optional ERF-type, 3% ED)  |
|                         | Stall Prevention  | During acceleration and during run: Separate settings for each type of stall prevention determine the current level at which stall prevention is triggered.<br>During deceleration: Select, enable/disable.  |
|                         | Cooling Fan Failure Protection  | Circuit protection ("fan-lock" sensor)   |
|                         | Ground Fault Protection   | Electronic circuit protection $\langle \triangleright \rangle$   |
| DC Bus Charge LED       | Remains lit until DC bus voltage falls below 50 V   |  |

## A.4 Drive Specifications

| Item                 |  | Specification  |
|----------------------|--|--|
| Environment          | Storage/Installation Area  | Indoors  |
|                      | Ambient Temperature  | IP20/NEMA Type 1 enclosure: -10 °C to +40 °C (14 °F to 104 °F)<br>IP20/IP00 Open-Chassis enclosure: -10 °C to +50 °C (14 °F to 122 °F)<br>Finless Type: IP20 enclosure: -10 °C to +50 °C (14 °F to 122 °F)   |
|                      | Humidity   | 95% RH or less with no condensation  |
|                      | Storage Temperature  | -20 to +60 °C (-4 to +140 °F) allowed for short-term transport of the product  |
|                      | Altitude   | Up to 1000 meters without derating; up to 3000 meters with output current and voltage derating. <i>Refer to Altitude Derating on page 188</i> for details.   |
|                      | Shock, Impact  | 10 to 20 Hz: 9.8 m/s <sup>2</sup><br>20 to 55 Hz: 5.9 m/s <sup>2</sup>   |
|                      | Surrounding Area   | Install the drive in an area free from: <ul style="list-style-type: none"> <li>oil mist and dust</li> <li>metal shavings, oil, water or other foreign materials</li> <li>radioactive materials</li> <li>combustible materials</li> <li>harmful gases and liquids</li> <li>excessive vibration</li> <li>chlorides</li> <li>direct sunlight</li> </ul> |
|                      | Orientation  | Install the drive vertically to maintain maximum cooling effects   |
| Standards            | <ul style="list-style-type: none"> <li>UL508C</li> <li>EN 61800-3:2004/A1:2012, IEC/EN 61800-5-1</li> </ul>  |  |
| Protective Enclosure | IP20/Open-Chassis<br>IP20/NEMA Type 1 <5>  |  |
| Cooling Method       | BA0001 to BA0006: self-cooled<br>BA0010: cooling fan<br>2A0001 to 2A0004: self-cooled<br>2A0006 to 2A0020: cooling fan<br>4A0001 to 4A0004: self-cooled<br>4A0005 to 4A0011: cooling fan |  |

- <1> Instantaneous average deceleration torque refers to the torque required to decelerate the motor (uncoupled from the load) from the rated motor speed down to zero in the shortest time.
- <2> Ensure that Stall Prevention Selection during Deceleration is disabled (L3-04 = 0) or set to 3 when using a braking resistor or the Braking Resistor Unit. The default setting for the stall prevention function will interfere with the braking resistor.
- <3> Overload protection may be triggered when operating with 150% of the rated output current if the output frequency is less than 6 Hz.
- <4> Ground protection cannot be provided under the following circumstances when a ground fault is likely in the motor windings during run: Low ground resistance for the motor cable and terminal block; low ground resistance for the motor cable and terminal block; or the drive is powered up from a ground short.
- <5> All models have an IP20/Open-Chassis enclosure as standard. Use the NEMA Type 1 Kit option to convert drives to an IP20/NEMA Type 1 enclosure rating.

## A.5 Drive Watt Loss Data

Table A.4 Watt Loss 200 V Class Single-Phase Models

| Drive Model | Heavy Duty (Carrier Frequency 8/10 kHz) <1> |                   |                        |                | Normal Duty (Swing PWM equal 2 kHz) |                   |                        |                |
|-------------|---|-------------------|------------------------|----------------|-------------------------------------|-------------------|------------------------|----------------|
|             | Rated Amps (A)                              | Heatsink Loss (W) | Interior Unit Loss (W) | Total Loss (W) | Rated Amps (A)                      | Heatsink Loss (W) | Interior Unit Loss (W) | Total Loss (W) |
| BA0001      | 0.8   | 4.3               | 7.4                    | 11.7           | 1.2                                 | 5.0               | 8.5                    | 13.5           |
| BA0002      | 1.6   | 7.9               | 8.9                    | 16.7           | 1.9                                 | 7.6               | 9.7                    | 17.3           |
| BA0003      | 3.0   | 16.1              | 11.5                   | 27.7           | 3.3                                 | 14.6              | 14.4                   | 29.1           |
| BA0006      | 5.0   | 33.7              | 16.8                   | 50.5           | 6.0                                 | 30.1              | 19.4                   | 49.5           |
| BA0010      | 8.0   | 54.8              | 25.9                   | 80.7           | 9.6                                 | 51.7              | 29.8                   | 81.4           |

<1> 10 kHz for BA0001 to BA0006

Table A.5 Watt Loss 200 V Class Three-Phase Models

| Drive Model | Heavy Duty (Carrier Frequency 8/10 kHz) <1> |                   |                        |                | Normal Duty (Swing PWM equal 2 kHz) |                   |                        |                |
|-------------|---|-------------------|------------------------|----------------|-------------------------------------|-------------------|------------------------|----------------|
|             | Rated Amps (A)                              | Heatsink Loss (W) | Interior Unit Loss (W) | Total Loss (W) | Rated Amps (A)                      | Heatsink Loss (W) | Interior Unit Loss (W) | Total Loss (W) |
| 2A0001      | 0.8   | 4.3               | 7.3                    | 11.6           | 1.2                                 | 5.0               | 8.0                    | 13.0           |
| 2A0002      | 1.6   | 7.9               | 8.8                    | 16.7           | 1.9                                 | 7.6               | 9.5                    | 17.1           |
| 2A0004      | 3.0   | 16.2              | 11.5                   | 27.7           | 3.5                                 | 15.8              | 13.6                   | 29.4           |
| 2A0006      | 5.0   | 27.4              | 15.9                   | 43.3           | 6.0                                 | 27.5              | 17.2                   | 44.7           |
| 2A0010      | 8.0   | 54.8              | 23.8                   | 78.6           | 9.6                                 | 51.7              | 25.8                   | 77.5           |
| 2A0012      | 11.0  | 70.7              | 29.9                   | 100.6          | 12.0                                | 61.3              | 30.4                   | 91.7           |
| 2A0020      | 17.5  | 110.5             | 43.3                   | 153.8          | 19.6                                | 98.7              | 46.3                   | 145.0          |

<1> 10 kHz for 2A0001 to 2A0006

Table A.6 Watt Loss 400 V Class Three-Phase Models

| Drive Model | Heavy Duty (Carrier Frequency 8 kHz) |                   |                        |                | Normal Duty (Swing PWM equal 2 kHz) |                   |                        |                |
|-------------|--------------------------------------|-------------------|------------------------|----------------|-------------------------------------|-------------------|------------------------|----------------|
|             | Rated Amps (A)                       | Heatsink Loss (W) | Interior Unit Loss (W) | Total Loss (W) | Rated Amps (A)                      | Heatsink Loss (W) | Interior Unit Loss (W) | Total Loss (W) |
| 4A0001      | 1.2                                  | 19.2              | 11.5                   | 30.7           | 1.2                                 | 10.0              | 9.6                    | 19.6           |
| 4A0002      | 1.8                                  | 28.9              | 14.8                   | 43.7           | 2.1                                 | 18.5              | 13.9                   | 32.4           |
| 4A0004      | 3.4                                  | 42.3              | 17.9                   | 60.2           | 4.1                                 | 30.5              | 16.8                   | 47.3           |
| 4A0005      | 4.8                                  | 70.7              | 26.2                   | 96.9           | 5.4                                 | 44.5              | 21.8                   | 66.3           |
| 4A0007      | 5.5                                  | 81.0              | 30.7                   | 111.7          | 6.9                                 | 58.5              | 28.4                   | 86.9           |
| 4A0009      | 7.2                                  | 84.6              | 32.9                   | 117.5          | 8.8                                 | 63.7              | 31.4                   | 95.1           |
| 4A0011      | 9.2                                  | 107.2             | 41.5                   | 148.7          | 11.1                                | 81.7              | 46.0                   | 127.7          |

## A.6 Drive Derating Data

The drive can be operated at above rated temperature, altitude and default carrier frequency by derating the drive capacity.

### ◆ Carrier Frequency Derating

Derate drive capacity using *Figure A.1* as the carrier frequency of the drive increases above the factory setting.

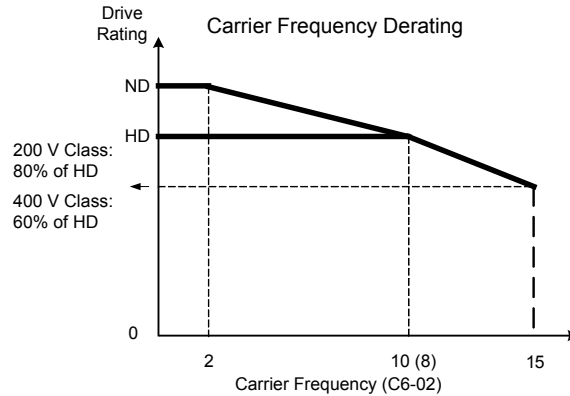


Figure A.1 Carrier Frequency Derating

### ◆ Temperature Derating

As the ambient temperature for the drive is increased above the drive specification the drive should be derated. Additionally parameter L8-35 Installation Method Selection on page 188 should be set according to enclosure type and mounting method as illustrated in *Figure A.2*.

#### ■ Output Current Derating Due to Ambient Temperature

Set L8-12 and L8-35 according to the installation conditions when the ambient temperature is above the drive specification or if drives are side-by-side mounted in a cabinet. The output current is derated as shown in *Figure A.2*.

| No.   | Name                          | Description   | Range     | Def.  |
|-------|-------------------------------|---|-----------|-------|
| L8-12 | Ambient Temperature Setting   | Adjust the drive overload (oL2) protection level when the drive is installed in an environment that exceeds its ambient temperature rating. | -10 to 50 | 30 °C |
| L8-35 | Installation Method Selection | 0: IP20/IP00 Drive<br>1: Side-by-Side Mounting<br>2: NEMA Type 1 Drive <1><br>3: Finless Drive or External Heatsink Installation            | 0 to 3    | 0     |

<1> This selection assumes that the drive is fitted with the NEMA Type 1 Kit option.

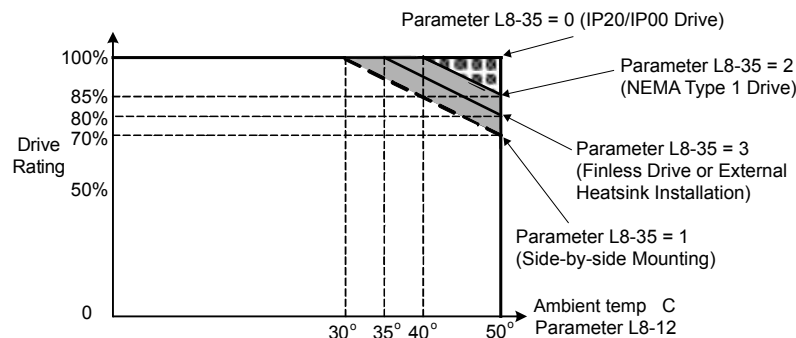


Figure A.2 Ambient Temperature and Installation Method Derating

### ◆ Altitude Derating

The drive standard ratings are valid for an installation altitude up to 1000 m. If the altitude exceeds 1000 m, both the drive input voltage and the rated output current must be derated for 1% per 100 m. The maximum altitude is 3000 m.

# Appendix: B

## Parameter List

---

This appendix contains a full listing of all parameters and settings available in the drive.

|            |   |            |
|------------|---|------------|
| <b>B.1</b> | <b>PARAMETER GROUPS.....</b>                              | <b>190</b> |
| <b>B.2</b> | <b>PARAMETER TABLE.....</b>                               | <b>191</b> |
| <b>B.3</b> | <b>DEFAULTS BY DRIVE MODEL AND DUTY RATING ND/HD.....</b> | <b>206</b> |

## B.1 Parameter Groups

Table B.1 Parameter Groups

| Parameter Group | Name                           | Page                | Parameter Group | Name                        | Page                |
|-----------------|--------------------------------|---------------------|-----------------|-----------------------------|---------------------|
| A1              | Initialization                 | <a href="#">191</a> | H5              | Serial Communications Setup | <a href="#">198</a> |
| b1              | Operation Mode Selection       | <a href="#">191</a> | L1              | Motor Overload              | <a href="#">199</a> |
| b2              | DC Injection Braking           | <a href="#">192</a> | L2              | Power Loss Ride-Thru        | <a href="#">199</a> |
| C1              | Acceleration/Deceleration Time | <a href="#">192</a> | L3              | Stall Prevention            | <a href="#">199</a> |
| C2              | S-Curve Accel/Decel            | <a href="#">192</a> | L4              | Reference Detection         | <a href="#">200</a> |
| C3              | Motor Slip Compensation        | <a href="#">192</a> | L5              | Fault Restart               | <a href="#">200</a> |
| C4              | Motor Torque Compensation      | <a href="#">193</a> | L6              | Overtorque Detection        | <a href="#">200</a> |
| C6              | Carrier Frequency              | <a href="#">193</a> | L8              | Hardware Protection         | <a href="#">201</a> |
| d1              | Frequency Reference            | <a href="#">194</a> | n1              | Hunting Prevention          | <a href="#">202</a> |
| d2              | Reference Limits               | <a href="#">194</a> | n3              | Overexcitation Braking      | <a href="#">202</a> |
| d3              | Jump Frequencies               | <a href="#">194</a> | o1              | Monitor Display Selection   | <a href="#">202</a> |
| d4              | Frequency Reference Hold       | <a href="#">194</a> | o2              | Operator Keypad Functions   | <a href="#">202</a> |
| E1              | V/f Pattern                    | <a href="#">195</a> | o3              | Copy Function               | <a href="#">203</a> |
| E2              | Motor Setup                    | <a href="#">195</a> | o4              | Maintenance Functions       | <a href="#">203</a> |
| H1              | Digital Inputs                 | <a href="#">196</a> | U1              | Status Monitor              | <a href="#">203</a> |
| H2              | Digital Outputs                | <a href="#">197</a> | U2              | Fault History               | <a href="#">204</a> |
| H3              | Analog Inputs                  | <a href="#">198</a> | U4              | Maintenance Monitor         | <a href="#">204</a> |
| H4              | Analog Outputs                 | <a href="#">198</a> |                 |                             |                     |

## B.2 Parameter Table

An “O” in the “Mode” column indicates that the parameter is available in the Advanced menu.

An “S” in the “Mode” column indicates that the parameter is available in the Startup menu.

### ◆ A: Initialization Parameters

The A parameter group creates the operating environment for the drive. This includes the parameter Access Level, and Password.

| No.   | Name                   | Description  | Range     | Def. | Mode | Addr. Hex | Pg. |
|---|------------------------|--|-----------|------|------|-----------|-----|
| <b>A1: Initialization Parameters</b><br>Use A1 parameters to configure the basic environment for drive operation.   |                        |  |           |      |      |           |     |
| A1-01<br></>  | Access Level Selection | Selects which parameters are accessible via the digital operator.<br>0: Operation only<br>2: Advanced Access Level   | 0, 2      | 2    | O    | 101       | 76  |
| A1-03   | Initialize Parameters  | Resets all parameters to factory default settings. (Initializes the drive then returns A1-03 to 0)<br>0: No Initialization<br>2220: 2-Wire Initialization<br>3330: 3-Wire Initialization | 0 to 3330 | 0    | O    | 103       | 76  |
| A1-04   | Password               | When the value set into A1-04 does not match the value set into A1-05, parameters A1-01 and A1-03 cannot be changed.   | 0 to 9999 | 0    | O    | 104       | 76  |
| A1-05   | Password Setting       |  | 0 to 9999 | 0    | O    | 105       | 76  |
| This parameter is hidden from view. To access A1-05, first display A1-04. Then press the STOP key while holding down the up arrow key. Parameter A1-05 will appear. |                        |  |           |      |      |           |     |

<1> Parameter can be changed during run.

### ◆ b: Application

Application parameters configure the Run Command Source, DC Injection Braking, and other application-related settings.

| No.   | Name  | Description  | Range  | Def. | Mode | Addr. Hex | Pg. |
|---|---|--|--------|------|------|-----------|-----|
| <b>b1: Operation Mode Selection</b><br>Use b1 parameters to configure the operation mode. |   |  |        |      |      |           |     |
| b1-01   | Frequency Reference Selection                   | Selects the frequency reference input source.<br>0: Digital Operator - Digital preset speed d1-01 to d1-08<br>1: Terminals - Analog input terminal A1<br>2: MEMOBUS/Modbus communications (option)<br>3: Potentiometer (option)  | 0 to 3 | 1    | S    | 180       | 79  |
| b1-02   | Run Command Selection                           | Selects the run command input source.<br>0: Digital Operator - RUN and STOP keys on the digital operator<br>1: Digital input terminals<br>2: MEMOBUS/Modbus communications (option)  | 0 to 2 | 1    | S    | 181       | 80  |
| b1-03   | Stopping Method Selection                       | Selects the stopping method when the run command is removed.<br>0: Ramp to Stop<br>1: Coast to Stop  | 0, 1   | 0    | S    | 182       | 81  |
| b1-04   | Reverse Operation Selection                     | Permits or prohibits reverse operation.<br>0: Reverse enabled.<br>1: Reverse disabled.   | 0, 1   | 0    | O    | 183       | 82  |
| b1-07   | LOCAL/REMOTE Run Selection                      | Determines the operation when the Run command source is switched from LOCAL to REMOTE or between REMOTE and MEMOBUS/Modbus communication.<br>0: External Run command has to be cycled at the new source to be activated.<br>1: External Run command at new source is accepted immediately. | 0, 1   | 0    | O    | 186       | 82  |
| b1-08   | Run Command Selection while in Programming Mode | 0: Run command accepted only in the operation menu.<br>1: Run command accepted in all menus.<br>2: Prohibit entering Programming Mode during Run   | 0 to 2 | 0    | O    | 187       | 82  |

## B.2 Parameter Table

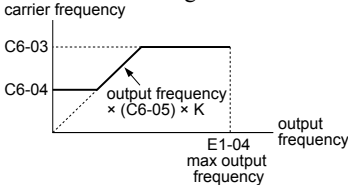
| No.  | Name  | Description  | Range         | Def.   | Mode | Addr. Hex | Pg. |
|--|---|--|---------------|--------|------|-----------|-----|
| b1-14  | Phase Order Selection                                 | Sets the phase order for drive output terminals U/T1, V/T2 and W/T3.<br>0 : Standard<br>1 : Switch phase order   | 0, 1          | 0      | O    | 1C3       | 83  |
| b1-17  | Run Command at Power Up                               | Determines the operation when a Run command is active at power up of the drive.<br>0: Run command not issued, needs to be cycled<br>1: Run command issued, motor operation start             | 0, 1          | 0      | O    | 1C6       | 83  |
| <b>b2: DC Injection Braking</b><br>Use b2 parameters to configure DC Injection Braking operation |   |  |               |        |      |           |     |
| b2-02  | DC Injection Braking Current                          | Sets the DC Injection Braking current as a percentage of the drive rated current.  | 0 to 75       | 50%    | O    | 18A       | 83  |
| b2-03  | DC Injection Braking Time/DC Excitation Time at Start | Sets DC Injection Braking time at start. Disabled when set to 0.00 seconds.  | 0.00 to 10.00 | 0.00 s | O    | 18B       | 83  |
| b2-04  | DC Injection Braking Time at Stop                     | Sets DC Injection Braking time at stop.<br>When b1-03 = 0, this parameter sets the amount of DC Injection time applied to the motor at the end of the decel ramp. Disabled when set to 0.00. | 0.00 to 10.00 | 0.50 s | O    | 18C       | 84  |

## ◆ C: Tuning

C parameters are used to adjust the acceleration and deceleration times, S-curves, slip and torque compensation functions and carrier frequency selections.

| No.   | Name                                  | Description  | Range   | Def.          | Mode   | Addr. Hex | Pg. |
|---|---------------------------------------|--|---|---------------|--------|-----------|-----|
| <b>C1: Acceleration and Deceleration Times</b><br>Use C1 parameters to configure motor acceleration and deceleration. |                                       |  |   |               |        |           |     |
| C1-01<br></>  | Acceleration Time 1                   | Sets the time to accelerate from 0 to maximum frequency.   | 0.0 to 6000.0   | 10.0 s        | S      | 200       | 85  |
| C1-02<br></>  | Deceleration Time 1                   | Sets the time to decelerate from maximum frequency to 0.   |   |               | S      | 201       | 85  |
| C1-03<br></>  | Acceleration Time 2                   | Sets the time to accelerate from 0 to maximum frequency when Accel/Decel times 2 are selected by a digital input.  |   |               | O      | 202       | 85  |
| C1-04<br></>  | Deceleration Time 2                   | Sets the time to decelerate from maximum frequency to 0 when Accel/Decel times 2 are selected by a digital input.  |   |               | O      | 203       | 85  |
| C1-09   | Fast-Stop Time                        | Sets the time to decelerate from maximum frequency to 0 for the multi-function input fast-stop function.<br><b>Note:</b> This parameter is also used by selecting “Fast-Stop” as a Stop Method when a fault is detected. |   |               | O      | 208       | 85  |
| <b>C2: S-Curve Characteristics</b><br>Use C2 parameters to configure S-curve operation.                               |                                       |  |   |               |        |           |     |
| C2-01   | S-Curve Characteristic at Accel Start | <p>The S-curve can be controlled in the four points shown below.</p>   | 0.00 to 10.00   | 0.20 s        | O      | 20B       | 86  |
| C2-02   | S-Curve Characteristic at Accel End   |  | 0.00 to 10.00   | 0.20 s        | O      | 20C       | 86  |
| C2-03   | S-Curve Characteristic at Decel Start |  | 0.00 to 10.00   | 0.20 s        | O      | 20D       | 86  |
| C2-04   | S-Curve Characteristic at Decel End   |  | S-curve is used to further soften the starting and stopping ramp. The longer the S-curve time, the softer the starting and stopping ramp. | 0.00 to 10.00 | 0.00 s | O         | 20E |
| <b>C3: Slip Compensation</b><br>Use C3 parameters to configure the slip compensation function.                        |                                       |  |   |               |        |           |     |
| C3-01<br></>  | Slip Compensation Gain                | Sets the slip compensation gain. Decides for what amount the output frequency is boosted in order to compensate the slip.<br><b>Note:</b> Adjustment is not normally required.   | 0.0 to 2.5  | 0.0           | O      | 20F       | 86  |



| No.  | Name                                 | Description  | Range        | Def.    | Mode | Addr. Hex | Pg. |
|--|--------------------------------------|--|--------------|---------|------|-----------|-----|
| C3-02  | Slip Compensation Primary Delay Time | Adjusts the slip compensation function delay time.<br>Decrease the setting when the slip compensation response is too slow, increase it when the speed is not stable.  | 0 to 10000   | 2000 ms | O    | 210       | 86  |
| <b>C4: Torque Compensation</b><br>Use C4 parameters to configure Torque Compensation function.       |                                      |  |              |         |      |           |     |
| C4-01<br><1>   | Torque Compensation Gain             | Sets the gain for the automatic torque (voltage) boost function and helps to produce better starting torque.<br>Increase this setting when using a long motor cable or when the motor is significantly smaller than the drive capacity.<br>Decrease this setting when motor oscillation occurs. Set the value so that the current at low speed does not exceeds the drive rated current. | 0.00 to 2.50 | 1.00    | O    | 215       | 87  |
| <b>C6: Carrier Frequency</b><br>Use C6 parameters to configure the carrier frequency drive settings. |                                      |  |              |         |      |           |     |
| C6-01  | Drive Duty Selection                 | Selects the load rating for the drive.<br>0: Heavy Duty (HD) for constant torque applications.<br>1: Normal Duty (ND) for variable torque applications.<br>This setting affects the Rated output current and overload tolerance of the drive.  | 0, 1         | 1       | S    | 223       | 87  |
| C6-02  | Carrier Frequency Selection          | Selects the carrier frequency<br>1 : 2.0 kHz<br>2 : 5.0 kHz<br>3 : 8.0 kHz<br>4 : 10.0 kHz<br>5 : 12.5 kHz<br>6 : 15.0 kHz<br>7 : Swing PWM<br>8 to E : No setting possible<br>F: User defined (determined by C6-03 through C6-05)   | 1 to F       | <2>     | S    | 224       | 88  |
| C6-03  | Carrier Frequency Upper Limit        | C6-03 and C6-04 set upper and lower limits for the carrier frequency.<br><b>Note:</b> Set C6-02 to F before setting C6-03.   | 1.0 to 15.0  | <3>     | O    | 225       | 88  |
| C6-04  | Carrier Frequency Lower Limit        | <br>The coefficient K depends on C6-03:<br>C6-03 ≥ 10.0 kHz: K = 3<br>10.0 kHz > C6-03 ≥ 5.0 kHz: K = 2<br>5.0 kHz > C6-03: K = 1<br>When C6-05 ≤ 6, C6-04 is disabled (makes the carrier frequency C6-03 value).  | 1.0 to 15.0  | <3>     | O    | 226       | 88  |
| C6-05  | Carrier Frequency Proportional Gain  | Sets the relationship of output frequency to carrier frequency when C6-02 = F.   | 00 to 99     | <3>     | O    | 227       | 88  |

<1> Parameter can be changed during run.

<2> Default setting value is dependent on parameter o2-04, Drive Model Selection and C6-01, Drive Duty Selection.

<3> Default setting value is dependent on parameter C6-02, Carrier Frequency Selection.

### ◆ d: References

Reference parameters are used to set the various frequency reference values during operation.

| No.  | Name  | Description  | Range                    | Def.    | Mode | Addr. Hex | Pg. |
|--|---|--|--------------------------|---------|------|-----------|-----|
| <b>d1: Frequency Reference</b><br>Use d1 parameters to configure the drive frequency reference.                    |   |  |                          |         |      |           |     |
| d1-01<br><1>   | Frequency Reference 1                       | Frequency reference. <i>Refer to b1-01: Frequency Reference Selection on page 79</i> for instructions to use d1-01 as the main frequency reference.  | 0.00 to 400.00 Hz<br><2> | 0.00 Hz | S    | 280       | 90  |
| d1-02<br><1>   | Frequency Reference 2                       | Frequency reference when digital input "Multi-Step Speed Reference 1" (H1-□□ = 3) is on.   |                          | 0.00 Hz | S    | 281       | 90  |
| d1-03<br><1>   | Frequency Reference 3                       | Frequency reference when digital input "Multi-Step Speed Reference 2" (H1-□□ = 4) is on.   |                          | 0.00 Hz | S    | 282       | 90  |
| d1-04<br><1>   | Frequency Reference 4                       | Frequency reference when digital inputs "Multi-Step Speed Reference 1, 2" (H1-□□ = 3 and 4) are on.  |                          | 0.00 Hz | S    | 283       | 90  |
| d1-05<br><1>   | Frequency Reference 5                       | Frequency reference when digital input "Multi-Step Speed Reference 3" (H1-□□ = 5) is on.   |                          | 0.00 Hz | O    | 284       | 90  |
| d1-06<br><1>   | Frequency Reference 6                       | Frequency reference when digital inputs "Multi-Step Speed Reference 1, 3" (H1-□□ = 3 and 5) are on.  |                          | 0.00 Hz | O    | 285       | 90  |
| d1-07<br><1>   | Frequency Reference 7                       | Frequency reference when digital inputs "Multi-Step Speed Reference 2, 3" (H1-□□ = 4 and 5) are on.  |                          | 0.00 Hz | O    | 286       | 90  |
| d1-08<br><1>   | Frequency Reference 8                       | Frequency reference when multi-function input "Multi-Step speed reference 1, 2, 3" (H1-□□ = 3, 4, 5) are on.   |                          | 0.00 Hz | O    | 287       | 90  |
| d1-17<br><1>   | Jog Frequency Reference                     | Frequency reference when digital inputs "Jog Frequency Reference", "Forward Jog" or "Reverse Jog." are on.   |                          | 6.00 Hz | S    | 292       | 90  |
| <b>d2: Frequency Upper and Lower Limits</b><br>Use d2 parameters to configure the frequency reference limits.      |   |  |                          |         |      |           |     |
| d2-01  | Frequency Reference Upper Limit             | Sets the frequency reference upper limit as a percentage of maximum output frequency (E1-04). Output speed is limited to this value even if the frequency reference is higher. This limit applies to all frequency reference sources.  | 0.0 to 110.0             | 100.0 % | O    | 289       | 91  |
| d2-02  | Frequency Reference Lower Limit             | Sets the frequency reference lower limit as a percentage of maximum output frequency (E1-04). Output speed is limited to this value even if the frequency reference is lower. This limit applies to all frequency reference sources.   | 0.0 to 110.0             | 0.0%    | O    | 28A       | 91  |
| <b>d3: Jump Frequency</b><br>Use d3 parameters to configure the drive Jump Frequency settings.                     |   |  |                          |         |      |           |     |
| d3-01  | Jump Frequency 1                            | d3-01 to d3-04 allow programming of three prohibited frequency reference points for eliminating problems with resonant vibration of the motor/machine. This feature does not eliminate the selected frequency values, but accelerates and decelerates the motor through the prohibited bandwidth.<br>The parameters must be according to the rule $d3-01 \geq d3-02$ . | 0.0 to 400.0             | 0.0 Hz  | O    | 294       | 92  |
| d3-02  | Jump Frequency 2                            |  |                          | 0.0 Hz  | O    | 295       | 92  |
| d3-04  | Jump Frequency Width                        | This parameter sets the dead-band width around each selected prohibited frequency reference point. The bandwidth becomes the designated Jump frequency, plus or minus d3-04.   | 0.0 to 20.0              | 1.0 Hz  | O    | 297       | 92  |
| <b>d4: Frequency Reference Hold</b><br>Use d4 parameters to configure the drive frequency reference hold function. |   |  |                          |         |      |           |     |
| d4-01  | Frequency Reference Hold Function Selection | Determines if the frequency reference or frequency reference bias is saved when the Run command is removed or the power goes off.<br>0: Disabled<br>1: Enabled<br>This parameter is effective when the multi-function inputs "Accel/Decel Ramp Hold" or "Up/Down" commands are selected (H1-□□ = A or 10/11).  | 0, 1                     | 0       | O    | 298       | 93  |

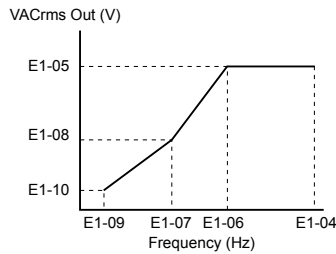
<1> Parameter can be changed during run.

<2> Range upper limit is dependent on parameters E1-04, Maximum Output Frequency, and d2-01, Frequency Reference Upper Limit.

◆ E: Motor Parameters

E parameters set V/f characteristics and motor-related data.

| No.   | Name                             | Description   | Range                             | Def.   | Mode | Addr. Hex | Pg. |
|---|----------------------------------|---|-----------------------------------|--------|------|-----------|-----|
| <b>E1: V/f Pattern Characteristics</b><br>Use E1 parameters to set V/f characteristics for the motor. |                                  |   |                                   |        |      |           |     |
| E1-01<br><1>  | Input Voltage Setting            | This parameter must be set to the power supply voltage.<br><b>WARNING!</b> Drive input voltage (not motor voltage) must be set in E1-01 for the protective features of the drive to function properly. Failure to do so may result in equipment damage and/or death or personal injury.   | 155 to 255                        | 230    | S    | 300       | 94  |
| E1-03   | V/f Pattern Selection            | F: Custom V/f. E1-04 through E1-10 settings define the V/f pattern.   | F                                 | F      | O    | 302       | —   |
| E1-04   | Maximum Output Frequency         | E1-04, E1-06 to E1-10 can only be changed when E1-03 is set to F. To set linear V/f characteristics, set the same values for E1-07 and E1-09. In this case, the setting for E1-08 will be disregarded. Ensure that the four frequencies are set according to these rules to prevent triggering an oPE10 fault:<br>$E1-09 \leq E1-07 < E1-06 \leq E1-04$ | 40.0 to 400.0                     | 60 Hz  | S    | 303       | 94  |
| E1-05<br><1>  | Maximum Output Voltage           |   | 0.0 to 255.0                      | 230 V  | S    | 304       | 94  |
| E1-06   | Base Frequency                   |   | 0.0 to E1-04                      | 60 Hz  | O    | 305       | 94  |
| E1-07   | Middle Output Frequency          |   | 0.0 to E1-04                      | 3.0 Hz | O    | 306       | 94  |
| E1-08<br><1>  | Middle Output Frequency Voltage  |   | 0.0 to 255.0                      | 18.4 V | O    | 307       | 94  |
| E1-09   | Minimum Output Frequency         |   | 0.0 to E1-04                      | 1.5 Hz | S    | 308       | 94  |
| E1-10<br><1>  | Minimum Output Frequency Voltage | 0.0 to 255.0  | 13.8 V                            | O      | 309  | 94        |     |
| <b>E2: Motor Parameters</b><br>Use E2 parameters to set motor-related data.                           |                                  |   |                                   |        |      |           |     |
| E2-01   | Motor Rated Current              | Sets the motor nameplate full load current in amperes.<br><b>Note:</b> Set E2-03 (Motor No-Load Current) before making changes to E2-01. Setting E2-01 < E2-03 will trigger an oPE02 error.   | 10 to 200% of drive rated current | <2>    | S    | 30E       | 96  |
| E2-02   | Motor Rated Slip                 | Sets the motor rated slip in Hertz.   | 0.00 to 20.00                     | <2>    | O    | 30F       | 96  |
| E2-03   | Motor No-Load Current            | Sets the magnetizing current of the motor in amperes.<br><b>Note:</b> Set E2-03 (Motor No-Load Current) before making changes to E2-01. Setting E2-01 < E2-03 will trigger an oPE02 error.  | 0 to less than E2-01              | <2>    | O    | 310       | 96  |
| E2-05   | Motor Line-to-Line Resistance    | Sets the phase-to-phase motor resistance in ohms.   | 0.000 to 65.000<br><3>            | <2>    | O    | 312       | 97  |



<1> Values shown here are for 200 V class drives. Double the value when using a 400 V class drive.

<2> Default setting value is dependent on parameter o2-04, Drive Model Selection and C6-01, Drive Duty Selection.

<3> Setting range becomes 0.00 to 130.00 for drives 0.2 kW and smaller.

## B.2 Parameter Table

### ◆ H Parameters: Multi-Function Terminals

H parameters assign functions to the multi-function input and output terminals.

| No.   | Name  | Description   | Range   | Def.         | Mode | Addr. Hex | Pg.                |
|---|---|---|---------|--------------|------|-----------|--------------------|
| <b>H1: Multi-Function Digital Input</b>   |   |   |         |              |      |           |                    |
| H1 parameters to assign functions to the multi-function digital input terminals. Unused terminals should be set to "F". |   |   |         |              |      |           |                    |
| H1-01   | Multi-Function Digital Input Terminal S1 Function Selection | Assigns a function to the multi-function digital inputs. Refer to H1 Multi-Function Digital Input Selections on page <a href="#">196</a> for a description of setting values. | 1 to 67 | 40           | O    | 438       | <a href="#">98</a> |
| H1-02   | Multi-Function Digital Input Terminal S2 Function Selection |   |         | 41           | O    | 439       | <a href="#">98</a> |
| H1-03   | Multi-Function Digital Input Terminal S3 Function Selection |   | 0 to 67 | 24           | O    | 400       | <a href="#">98</a> |
| H1-04   | Multi-Function Digital Input Terminal S4 Function Selection |   |         | 14           | O    | 401       | <a href="#">98</a> |
| H1-05   | Multi-Function Digital Input Terminal S5 Function Selection |   |         | 3 (0)<br><1> | O    | 402       | <a href="#">98</a> |

<1> Parenthetical value is the default when parameter A1-03 = 3330 3-Wire Initialization.

| <b>H1 Multi-Function Digital Input Selections</b> |  |   |                     |
|---|--|---|---------------------|
| H1-□□ Setting                                     | Function                                 | Description   | Page                |
| 0   | 3-Wire Sequence                          | Closed: Reverse rotation (only if the drive is set up for 3-Wire sequence)  | <a href="#">98</a>  |
| 1   | LOCAL/REMOTE Selection                   | Open: REMOTE, Run and frequency reference source set in b1-01/02<br>Closed: LOCAL, LED operator is run and reference source   | <a href="#">99</a>  |
| 2   | Serial Communication Reference Selection | Open: REMOTE, Run and frequency reference source set in b1-01/02<br>Closed: MEMOBUS/Modbus Communication                      | <a href="#">99</a>  |
| 3   | Multi-Step Speed Reference 1             | Used to select Multi-Step Speeds set in d1-01 to d1-08  | <a href="#">99</a>  |
| 4   | Multi-Step Speed Reference 2             |   | <a href="#">99</a>  |
| 5   | Multi-Step Speed Reference 3             |   | <a href="#">99</a>  |
| 6   | Jog Reference Selection                  | Open: Selected speed reference<br>Closed: Jog Frequency reference (d1-17). Jog has priority over all other reference sources. | <a href="#">99</a>  |
| 7   | Accel/Decel Time 1                       | Used to switch between Accel/Decel Time 1 and 2   | <a href="#">99</a>  |
| 8   | Baseblock Command (N.O.)                 | Open: Normal operation<br>Closed: No drive output   | <a href="#">100</a> |
| 9   | Baseblock Command (N.C.)                 | Open: No drive output<br>Closed: Normal operation   | <a href="#">100</a> |
| A   | Accel/Decel Ramp Hold                    | Closed: The drive pauses during acceleration or deceleration and maintains the output frequency.                              | <a href="#">100</a> |
| F   | Not used                                 | Select this setting when not using the terminal or when using the terminal in a pass-through mode.                            | <a href="#">100</a> |
| 10  | Up Command                               | Open: Maintains the current frequency reference<br>Closed: Increases or decreases the current frequency reference.            | <a href="#">100</a> |
| 11  | Down Command                             | Ensure that the increase and decrease commands are set in conjunction with one another.                                       | <a href="#">100</a> |
| 14  | Fault Reset                              | Closed: Resets faults if the cause is cleared and the Run command is removed.   | <a href="#">101</a> |
| 15  | Fast-Stop (N.O.)                         | Closed: Decelerates at the Fast-Stop time C1-09.<br>To restart the Fast-Stop input must be released and Run must be cycled.   | <a href="#">102</a> |
| 17  | Fast-stop (N.C.)                         | Open: Decelerates according to C1-09 (Fast-stop Time)   | <a href="#">102</a> |

| H1 Multi-Function Digital Input Selections |                                       |  |      |
|--|---------------------------------------|--|------|
| H1-□□ Setting                              | Function                              | Description  | Page |
| 20 to 2F                                   | External Fault                        | 20: N.O., Always Detected, Ramp To Stop<br>21: N.C., Always Detected, Ramp To Stop<br>22: N.O., During Run, Ramp To Stop<br>23: N.C., During Run, Ramp To Stop<br>24: N.O., Always Detected, Coast To Stop<br>25: N.C., Always Detected, Coast To Stop<br>26: N.O., During Run, Coast To Stop<br>27: N.C., During Run, Coast To Stop<br>28: N.O., Always Detected, Fast-stop<br>29: N.C., Always Detected, Fast-stop<br>2A: N.O., During Run, Fast-stop<br>2B: N.C., During Run, Fast-stop<br>2C: N.O., Always Detected, Alarm Only (continue running)<br>2D: N.C., Always Detected, Alarm Only (continue running)<br>2E: N.O., During Run, Alarm Only (continue running)<br>2F: N.C., During Run, Alarm Only (continue running) | 102  |
| 40   | Forward Run Command (2-Wire sequence) | Open: Stop<br>Closed: Forward run  | 103  |
| 41   | Reverse Run Command (2-Wire sequence) | Open: Stop<br>Closed: Reverse run  | 103  |
| 61   | External Search Command 1             | Closed: Activates Current Detection Speed Search from the max. output frequency (E1-04)  | 103  |
| 62   | External Search Command 2             | Closed: Activates Current Detection Speed Search from the frequency reference  | 103  |
| 67   | Communications Test Mode              | Tests the MEMOBUS/Modbus RS-422/485 interface.   | 103  |

| No.   | Name  | Description   | Range    | Def. | Mode | Addr. Hex | Pg. |
|---|---|---|----------|------|------|-----------|-----|
| <b>H2: Multi-Function Digital Output MA-MB-MC</b><br>Use H2 parameters to assign functions to the multi-function digital output MA-MB-MC. |   |   |          |      |      |           |     |
| H2-01   | Terminal MA, MB and MC Function Selection (relay) | Refer to H2 Multi-Function Digital Output Settings on page 197 for a description of setting values. | 0 to 13D | E    | O    | 40B       | 103 |

| H2 Multi-Function Digital Output Settings |                           |   |      |
|---|---------------------------|---|------|
| H2-01 Setting                             | Function                  | Description   | Page |
| 0   | During Run                | Closed: A Run command is active or voltage is output  | 104  |
| 1   | Zero Speed                | Closed: Output frequency is 0   | 104  |
| 2   | Speed Agree 1             | Closed: Output frequency equals the speed reference (plus or minus 2 Hz hysteresis)   | 104  |
| 4   | Frequency Detection 1     | Closed: Output frequency is less than or equal to the value in L4-01 with 2 Hz hysteresis                                     | 105  |
| 5   | Frequency Detection 2     | Closed: Output frequency is greater than the value in L4-01 with 2 Hz hysteresis  | 105  |
| 6   | Drive Ready               | Closed: Drive Ready. The drive is powered up, not in a fault state, and in the Drive mode                                     | 106  |
| 7   | DC Bus Undervoltage       | Closed: DC bus voltage is below the Uv trip level   | 106  |
| 8   | During Baseblock (N.O.)   | Closed: There is no output voltage  | 106  |
| B   | Torque Detection 1 (N.O.) | Closed: Output current/torque exceeds the torque value set in parameter L6-02 for longer than the time set in parameter L6-03 | 106  |
| E   | Fault                     | Closed: Fault occurred (other than CPF00 and CPF01)   | 106  |
| F   | Not used                  | Set this value when the terminal is not used, or when using the terminal in the pass-through mode                             | 106  |
| 10  | Minor Fault               | Closed: An alarm is triggered   | 107  |
| 17  | Torque Detection 1 (N.C.) | Open: When the output current exceeds the value set in parameter L6-02 for more time than is set in parameter L6-03           | 106  |
| 1A  | Reverse Direction         | Closed: Drive is running in the reverse direction   | 107  |
| 1E  | Restart Enabled           | Closed: An automatic restart is performed   | 107  |
| 3C  | LOCAL/REMOTE Status       | Closed: LOCAL<br>Open: REMOTE   | 107  |

## B.2 Parameter Table

| H2 Multi-Function Digital Output Settings                                     |   |  |      |
|---|---|--|------|
| H2-01 Setting   | Function  | Description  | Page |
| 3D  | Speed Search  | Closed: Speed search is being executed   | 107  |
| 100 to 102;<br>104 to 108;<br>10B, 10E,<br>110, 117,<br>11A, 11E,<br>13C, 13D | H2 Parameter Functions Reversed<br>Output Switching of 0 to 13D | Reverse the output switching of the multi-function output functions. Set the last two digits of 1□□ to reverse the output signal of that specific function<br>Examples:<br>Setting "108" reverses the output of "During baseblock", which is setting value 08<br>Setting "13C" reverses the output of "LOCAL/REMOTE Status", which is setting "3C" | 107  |

| No.  | Name                               | Description  | Range           | Def.    | Mode | Addr. Hex | Pg. |
|--|------------------------------------|--|-----------------|---------|------|-----------|-----|
| <b>H3: Analog Input A1</b><br>Use H3 parameters to set the analog input terminal A1. |                                    |  |                 |         |      |           |     |
| H3-01  | Terminal A1 Signal Level Selection | Sets the input level for terminal A1.<br>0: 0 to +10 V (lower limit)<br>1: 0 to +10 V (no lower limit)<br>2: 4 to 20 mA<br>3: 0 to 20 mA | 0 to 3          | 0       | O    | 410       | 107 |
| H3-03<br></>   | Terminal A1 Gain Setting           | Sets the level of the input value when 10 V (20 mA) is input at terminal A1.   | -999.9 to 999.9 | 100.0 % | O    | 411       | 108 |
| H3-04<br></>   | Terminal A1 Bias Setting           | Sets the level of the input value when 0 V (0 or 4 mA) is input at terminal A1.  | -999.9 to 999.9 | 0.0%    | O    | 412       | 108 |
| H3-13  | Analog Input Filter Time Constant  | Sets the primary delay filter time constant for terminal A1 or potentiometer (optional). Used for noise filtering.                       | 0.00 to 2.00    | 0.03 s  | O    | 41B       | 110 |

</> Parameter can be changed during run.

| No.   | Name  | Description   | Range           | Def.   | Mode | Addr. Hex | Pg. |
|---|---|---|-----------------|--------|------|-----------|-----|
| <b>H4: Multi-Function Analog Output AM</b><br>Use H4 parameters to configure the multi-function analog output terminal AM.  |   |   |                 |        |      |           |     |
| H4-01   | Multi-Function Analog Output Terminal AM      | Selects the data to be output through multi-function analog output terminal AM.<br>Set the desired monitor parameter to the digits available in U□-□□. For example, enter "103" for U1-03.<br>When using this terminal in through mode or when not using it at all, set "000" or "031". | 000 to 999      | 102    | O    | 41D       | 110 |
| H4-02<br></>  | Multi-Function Analog Output Terminal AM Gain | Sets terminal AM output level when selected monitor is at 100%. Maximum output voltage is 10 V.   | -999.9 to 999.9 | 100.0% | S    | 41E       | 110 |
| H4-03<br></>  | Multi-Function Analog Output Terminal AM Bias | Sets terminal AM output level when selected monitor is at 0%.   | -999.9 to 999.9 | 0.0%   | O    | 41F       | 110 |
| <b>H5: MEMOBUS/Modbus Communications</b><br>Use H5 Parameters to connect the drive to a MEMOBUS/Modbus network.<br>The settings for MEMOBUS/Modbus communications become effective when the drive is restarted. |   |   |                 |        |      |           |     |
| H5-01<br><2>  | Drive Slave Address                           | Selects drive slave number (address) for MEMOBUS/Modbus communication. Cycle power for the setting to take effect.  | 0 to FF         | 1F     | O    | 425       | 217 |
| H5-02   | Comm. Speed Selection                         | Selects the baud rate for MEMOBUS/Modbus communication. Cycle power for the setting to take effect.<br>0 : 1200 bps<br>1 : 2400 bps<br>2 : 4800 bps<br>3 : 9600 bps<br>4 : 19200 bps<br>5 : 38400 bps   | 0 to 5          | 3      | O    | 426       | 217 |
| H5-03   | Comm. Parity Selection                        | Selects the communication parity for MEMOBUS/Modbus communication. Cycle power for the setting to take effect.<br>0: No parity<br>1: Even parity<br>2: Odd parity   | 0 to 2          | 0      | O    | 427       | 217 |

| No.   | Name   | Description   | Range    | Def.  | Mode | Addr. Hex | Pg. |
|-------|--|---|----------|-------|------|-----------|-----|
| H5-04 | Stopping Method After Comm. Error              | Selects the stopping method when a communication time-out fault (CE) is detected.<br>0: Ramp to stop<br>1: Coast to stop<br>2: Fast-stop<br>3: Alarm only   | 0 to 3   | 3     | O    | 428       | 217 |
| H5-05 | Comm. Fault Detection Selection                | Enables or disables the communications timeout fault (CE).<br>0: Disabled - A communication loss will not cause a communication fault.<br>1: Enabled - If communication is lost for more than 2 seconds, a CE fault will occur. | 0, 1     | 1     | O    | 429       | 217 |
| H5-06 | Drive Transmit Wait Time                       | Set the wait time between receiving and sending data.   | 10 to 65 | 10 ms | O    | 42A       | 217 |
| H5-07 | RTS Control Selection                          | Selects "request to send" (RTS) control:<br>0: Disabled - RTS is always on.<br>1: Enabled - RTS turns on only when sending.   | 0, 1     | 1     | O    | 42B       | 217 |
| H5-12 | Run Command Method Selection                   | 0: FWD/STOP, REV/STOP Method<br>1: RUN/STOP, FWD/REV Method   | 0, 1     | 0     | O    | 43D       | 217 |
| H5-13 | MEMOBUS Freq. Reference and Freq. Monitor Unit | 0: 0.1 Hz/1<br>1: o1-03 based<br>2: 100%/30000<br>3: 0.1%/1   | 0 to 3   | 0     | O    | 43E       | 217 |

<1> Parameter can be changed during run.

<2> If this parameter is set to 0, the drive will be unable to respond to MEMOBUS/Modbus commands.

**Note:** Cycle power to the drive to enable MEMOBUS/Modbus settings.

## ◆ L: Protection Function

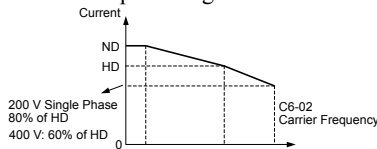
L parameters provide protection to the drive and motor, such as: control during momentary power loss, Stall Prevention, frequency detection, fault restarts, overtorque detection, and other types of hardware protection.

| No.  | Name  | Description   | Range       | Def.    | Mode | Addr. Hex | Pg. |
|--|---|---|-------------|---------|------|-----------|-----|
| <b>L1: Motor Protection Functions</b><br>Use L1 parameters to configure motor protective functions.                    |   |   |             |         |      |           |     |
| L1-01  | Motor Overload Protection Selection           | Sets the motor thermal overload protection (oL1) based on the cooling capacity of the motor.<br>0: Disabled<br>1: General Purpose Motor (Standard Fan-Cooled)<br>2: Drive Dedicated Motor with a Speed Range of 1:10<br><b>NOTICE:</b> When multiple motors are used the drive may not be able to provide protection, even if it is enabled in L1-01. Set L1-01 to "0" and ensure each motor has a thermal relay installed. | 0 to 2      | 1       | S    | 480       | 112 |
| L1-02  | Motor Overload Protection Time                | Sets the motor thermal overload protection (oL1) time.<br>A larger L1-02 time will increase the time for an oL1 fault to occur. This parameter does not typically require adjustment. Should be set in accordance with the overload tolerance of the motor.   | 0.1 to 20.0 | 8.0 min | O    | 481       | 113 |
| L1-13  | Continuous Electrothermal Operation Selection | Determines whether or not to hold the electrothermal value when the power supply is interrupted.<br>0: Disabled<br>1: Enabled   | 0, 1        | 1       | O    | 46D       | 113 |
| <b>L2: Momentary Power Loss</b><br>Use L2 parameters to configure drive functions for momentary power loss conditions. |   |   |             |         |      |           |     |
| L2-01  | Momentary Power Loss Operation Selection      | Enables and disables the momentary power loss function.<br>0: Disabled - Drive trips on (Uv1) fault when power is lost.<br>1: Power Loss Ride-Thru Time - Drive will restart if power returns within the Power Loss Ride-Thru Time.<br>2: CPU Power Active - Drive will restart if power returns as long as the CPU is working.   | 0 to 2      | 0       | O    | 485       | 113 |
| <b>L3: Stall Prevention Function</b><br>Use L3 parameters to configure the Stall Prevention function.                  |   |   |             |         |      |           |     |

## B.2 Parameter Table

| No.   | Name   | Description   | Range            | Def.    | Mode | Addr. Hex | Pg. |
|---|--|---|------------------|---------|------|-----------|-----|
| L3-01   | Stall Prevention Selection during Acceleration | Selects the Stall Prevention method used to prevent excessive current during acceleration.<br>0: Disabled - Motor accelerates at active acceleration rate. The motor may stall if load is too heavy or accel time is too short.<br>1: General Purpose - When output current exceeds L3-02 level, acceleration stops. Acceleration will continue when the output current level falls below the L3-02 level.  | 0, 1<br><I>      | 1       | O    | 48F       | 114 |
| L3-02   | Stall Prevention Level during Acceleration     | Used when L3-01 = 1.<br>100% is equal to the drive rated current.<br>Decrease the set value if stalling or excessive current occurs with default setting.   | 0 to 150<br><I>  | <I> <I> | O    | 490       | 115 |
| L3-04   | Stall Prevention Selection during Deceleration | When using a braking resistor, use setting "0".<br>0: Disabled - The drive decelerates at the active deceleration rate. If the load is too large or the deceleration time is too short, an ov fault may occur.<br>1: General Purpose - The drive decelerates at the active deceleration rate, but if the main circuit DC bus voltage reaches the Stall Prevention level, deceleration will stop. Deceleration will continue once the DC bus level drops below the Stall Prevention level.<br>4: Overexcitation Deceleration - Decelerates with the flux level determined by n3-13 (Overexcitation Gain).  | 0, 1, 4          | 1       | S    | 492       | 115 |
| L3-05   | Stall Prevention Selection during Run          | Selects the Stall Prevention method to use to prevent drive faults during run.<br>0: Disabled - Drive runs a set frequency. A heavy load may cause the drive to trip on an oC or oL fault.<br>1: Decel Time 1 - The drive will decelerate at Decel Time 1 (C1-02) if the output current exceeds the level set by L3-06. Once the current level drops below the L3-06 level, the drive will accelerate back to its frequency reference at the active acceleration rate.<br>2: Decel Time 2 - Same as setting 1 except the drive decelerates at Decel Time 2 (C1-04).<br>When output frequency is 6 Hz or less, Stall Prevention during run is disabled regardless of the setting in L3-05.                         | 0 to 2           | 1       | O    | 493       | 116 |
| L3-06   | Stall Prevention Level during Run              | Enabled when L3-05 is set to "1" or "2". 100% is equal to the drive rated current.<br>Decrease the set value if stalling or excessive current occurs with the default settings.<br>Upper level is determined by C6-01 and L8-38.  | 30 to 150<br><I> | <I> <I> | O    | 494       | 116 |
| <b>L4: Frequency Detection</b><br>Use L4 parameters to configure frequency detection operation. |  |   |                  |         |      |           |     |
| L4-01   | Speed Agreement Detection Level                | These parameters configure the multi-function output (H2- 01 = 2, 4, 5) settings "Speed Agree 1", "Frequency Detection 1," and "Frequency detection 2".   | 0.0 to 400.0     | 0.0 Hz  | O    | 499       | 116 |
| L4-07   | Speed Agreement Detection Selection            | 0: No detection during baseblock.<br>1: Detection always enabled.   | 0, 1             | 0       | O    | 470       | 117 |
| <b>L5: Fault Reset</b><br>Use L5 parameters to configure Automatic Restart after fault.         |  |   |                  |         |      |           |     |
| L5-01   | Number of Auto Restart Attempts                | Sets the counter for the number of times the drive attempts to restart when one of the following faults occurs: oC, oH1, ov, PF, rH, oL1, oL2, oL3, Uv1.<br>When the drive operates without fault for 10 minutes, the counter will be reset.  | 0 to 10          | 0       | O    | 49E       | 117 |
| <b>L6: Overtorque Detection</b><br>Use L6 parameters to configure overtorque detection.         |  |   |                  |         |      |           |     |
| L6-01   | Torque Detection Selection 1                   | Selects the overtorque operation. Overtorque is determined by the settings in parameters L6-02 and L6-03. The multi-function output settings (H2- 01= B and 17) are also active if programmed.<br>0: Disabled<br>1: oL3 at Speed Agree - Alarm (overtorque detection only active during Speed Agree and operation continues after detection).<br>2: oL3 at RUN - Alarm (overtorque detection is always active and operation continues after detection).<br>3: oL3 at Speed Agree - Fault (overtorque detection only active during Speed Agree and drive output will shut down on an oL3 fault).<br>4: oL3 at RUN - Fault (overtorque detection is always active and drive output will shut down on an oL3 fault). | 0 to 4           | 0       | O    | 4A1       | 118 |



| No.   | Name  | Description  | Range       | Def.  | Mode | Addr. Hex | Pg. |
|---|---|--|-------------|-------|------|-----------|-----|
| L6-02   | Torque Detection Level 1  | Sets the overtorque detection level. 100% is equal to the motor rated current.   | 0 to 300    | 150%  | O    | 4A2       | 118 |
| L6-03   | Torque Detection Time 1   | Sets the length of time an overtorque condition must exist before Torque Detection is triggered.   | 0.0 to 10.0 | 0.1 s | O    | 4A3       | 118 |
| <b>L8: Hardware Protection</b><br>Use L8 parameters to configure hardware protection functions. |   |  |             |       |      |           |     |
| L8-01   | Internal Dynamic Braking Resistor Protection Selection (ERF type) | Selects the Braking resistor when using a 3% duty cycle heatsink mounted braking resistor. This parameter does not enable or disable the braking transistor of the drive.<br>0: Resistor overheat protection disabled<br>1: Resistor overheat protection enabled | 0, 1        | 0     | O    | 4AD       | 118 |
| L8-05   | Input Phase Loss Protection Selection                             | Selects the detection of input current phase loss, power supply voltage imbalance, or main circuit electrolytic capacitor deterioration.<br>0: Disabled<br>1: Enabled<br><b>Note:</b> This parameter is disabled in 200 V single-phase drives.                   | 0, 1        | 1     | O    | 4B1       | 119 |
| L8-10   | Heatsink Cooling Fan Operation Selection                          | Controls the heatsink cooling fan operation.<br>0: Run with timer (Fan operates only during run and for 60 seconds after stop.)<br>1: Run always (Cooling fan operates whenever the drive is powered up.)  | 0, 1        | 0     | O    | 4B6       | 119 |
| L8-12   | Ambient Temperature Setting                                       | Used to input the ambient temperature. This value adjusts the drive oL2 detection level.   | -10 to 50   | 30 °C | O    | 4B8       | 119 |
| L8-18   | Soft Current Limit Selection                                      | Selects the software current limit function. Typically no adjustment is required.<br>0: Disabled<br>1: Enabled   | 0, 1        | 1     | O    | 4BE       | 119 |
| L8-35<br><3>  | Installation Method Selection                                     | Selects the installation type:<br>0: IP20/IP00 Drive<br>1: Side-by-Side Mounting<br>2: NEMA Type 1 Drive<br>3: Finless Drive or External Heatsink Installation   | 0 to 3      | 0     | O    | 4EC       | 120 |
| L8-38   | Carrier Frequency Reduction                                       | Provides protection to the IGBTs by reducing the carrier frequency at low speeds.<br>0: Disabled<br>1: Enabled below 6 Hz<br>2: Enabled for the whole speed range<br><br>     | 0 to 2      | 1     | O    | 4EF       | 120 |

- <1> When enabled, the drive stops accelerating when it exceeds the value of L3-02, Stall Prevention Level. The drive decelerates after 100 ms and begins accelerating again after restoring the current level.
- <2> Default setting value is 120% when C6-01 is set to 1 (ND) and 150% when C6-01 is set to 0 (HD).
- <3> This parameter is not reset to the default value when the drive is reinitialized using A1-03.
- <4> The default setting and the upper limit of the setting range are determined by C6-01, Drive Duty Mode, and L8-38, Carrier Frequency Reduction Selection.

## B.2 Parameter Table

### ◆ n: Advanced Performance Set-Up

The n parameters are used to adjust more advanced performance characteristics.

| No.  | Name                             | Description   | Range        | Def. | Mode | Addr. Hex | Pg. |
|--|----------------------------------|---|--------------|------|------|-----------|-----|
| <b>n1: Hunting Prevention</b><br>Use n1 parameters to configure hunting prevention operation.            |                                  |   |              |      |      |           |     |
| n1-02  | Hunting Prevention Gain Setting  | Sets the gain for the Hunting Prevention Function.<br>If the motor vibrates while lightly loaded, increase the gain by 0.1 until vibration ceases.<br>If the motor stalls, decrease the gain by 0.1 until the stalling ceases.  | 0.00 to 2.50 | 1.00 | O    | 581       | 121 |
| <b>n3: Overexcitation Braking</b><br>Use n3 parameters to configure the overexcitation braking function. |                                  |   |              |      |      |           |     |
| n3-13  | Overexcitation Deceleration Gain | Applies a gain to the V/f pattern during deceleration (L3-04 = 4).<br>Returns to normal values after ramp to stop or at re-acceleration.<br>To increase the braking power of overexcitation, increase the gain by 1.25 to 1.30. | 1.00 to 1.40 | 1.10 | O    | 531       | 121 |

### ◆ o: Operator Related Parameters

o parameters are used to set up the LED digital operator displays.

| No.  | Name  | Description  | Range   | Def.                | Mode | Addr. Hex | Pg. |
|--|---|--|---------|---------------------|------|-----------|-----|
| <b>o1: Display Settings</b><br>Use o1 parameters to configure the digital operator display.                          |   |  |         |                     |      |           |     |
| o1-02  | User Monitor Selection After Power Up                     | Selects the information displayed when power is applied.<br>1: Frequency Reference (U1-01)<br>2: Forward/Reverse<br>3: Output Frequency (U1-02)<br>4: Output Current (U1-03)   | 1 to 4  | 1                   | O    | 501       | 122 |
| o1-03  | Digital Operator Display Selection                        | Sets the units to display the frequency reference and output frequency.<br>0: 0.01 Hz<br>1: 0.01% (100% = E1-04)   | 0, 1    | 0                   | O    | 502       | 122 |
| <b>o2: Operator Keypad Functions</b><br>Use o2 parameters to configure LED digital operator key functions.           |   |  |         |                     |      |           |     |
| o2-02  | STOP Key Function Selection                               | Determines if the STOP key on the digital operator will stop the drive when operating from the external terminals or via serial communication.<br>0: Disabled<br>1: Enabled  | 0, 1    | 1                   | O    | 506       | 122 |
| o2-04  | Drive Model Selection                                     | Sets the drive model.<br>This parameter only needs to be set when installing a new control board. Do not change for other reason.  | 0 to FF | dep. on drive spec. | O    | 508       | 122 |
| o2-05  | Frequency Reference Setting Method Selection              | Selects if the ENTER key must be pressed when inputting the frequency reference by the operator keypad.<br>0: Data/Enter key must be pressed to enter a frequency reference.<br>1: Data/Enter key is not required.<br>The output frequency changes immediately when the reference is changed by the UP or DOWN keys on the digital operator. The ENTER key does not need to be pressed.<br><b>Note:</b> When o2-05 is set to 1, the power supply to the drive must remain on for at least 5 seconds after making changes to the frequency reference. | 0, 1    | 0                   | O    | 509       | 123 |
| o2-06  | Operation Selection when Digital Operator is Disconnected | Sets drive action when the digital operator is removed in LOCAL mode or with b1-02 = 0 (valid for optional remote operator only).<br>0: The drive will continue operation<br>1: The drive will trigger a fault (oPr) and the motor will coast to stop  | 0, 1    | 0                   | O    | 50A       | 123 |
| o2-09  | –   | Factory use.   | –       | –                   | –    | –         | –   |
| <b>o3: Copy Function</b><br>Use o3 parameters to Read, Copy and Verify the parameter settings to and from the drive. |   |  |         |                     |      |           |     |

| No.  | Name  | Description  | Range     | Def. | Mode | Addr. Hex | Pg. |
|--|---|--|-----------|------|------|-----------|-----|
| o3-01  | Copy Function Selection                     | 0: Copy select<br>1: INV → OP READ (Read parameters from the drive, saving them onto the digital operator.)<br>2: OP → INV WRITE (Copy parameters from the digital operator, writing them to the drive.)<br>3: OP → INV VERIFY (Verify parameter settings on the drive to check if they match the data saved on the operator.)<br>To read the drive parameter settings into the digital operator, set o3-02 to 1 (to allow reading). | 0 to 3    | 0    | O    | 515       | 123 |
| o3-02  | Copy Allowed Selection                      | Locks the READ operation to prevent accidental overwriting of the data stored in the LED operator.<br>0: READ operation prohibited<br>1: READ operation allowed  | 0, 1      | 0    | O    | 516       | 124 |
| <b>o4: Maintenance Period</b><br>Use o4 parameters to perform maintenance. |   |  |           |      |      |           |     |
| o4-01  | Accumulated Operation Time Setting          | Sets the value for the cumulative operation time of the drive in units of 10 h.  | 0 to 9999 | 0    | O    | 50B       | 124 |
| o4-02  | Accumulated Operation Time Selection        | Determines, how the cumulative operation time (U4-01) is counted.<br>0: Logs power-on time<br>1: Logs operation time when the drive output is active (output operation time).  | 0, 1      | 0    | O    | 50C       | 124 |
| o4-03  | Cooling Fan Operation Time Setting          | Sets the value of the fan operation time in units of 10 h.   | 0 to 9999 | 0    | O    | 50E       | 124 |
| o4-05  | Capacitor Maintenance Setting               | Sets the value of the capacitor maintenance time monitor U4-05.  | 0 to 150  | 0%   | O    | 51D       | 125 |
| o4-07  | DC Bus Pre-Charge Relay Maintenance Setting | Sets the value of the Soft Charge Bypass Relay Maintenance monitor U4-06.  | 0 to 150  | 0%   | O    | 523       | 125 |
| o4-09  | IGBT Maintenance Setting                    | Sets the value of the IGBT Maintenance monitor U4-07.  | 0 to 150  | 0%   | O    | 525       | 125 |
| o4-11  | U2 Initialization                           | 0: U2-□□ monitor data are not reset when the drive is initialized using A1-03.<br>1: U2-□□ monitor data are reset when the drive is initialized using A1-03. (The value of o4-11 is automatically returned to 0.)  | 0, 1      | 0    | O    | 510       | 125 |

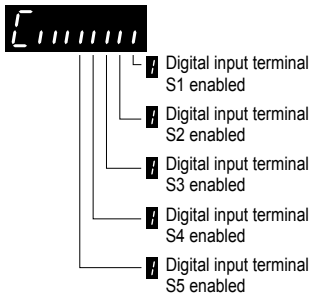
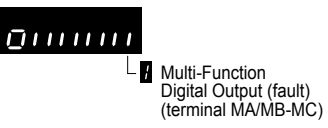
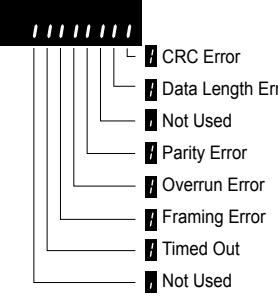
<1> Parameter can be changed during run.

## ◆ U: Monitors

Monitor parameters allow the user to view drive status, fault information, and other information about drive operation.

| No.   | Name                     | Description   | Analog Output Level          | Unit          | Mode | Addr. Hex |
|---|--------------------------|---|------------------------------|---------------|------|-----------|
| <b>U1: Operation Status Monitors</b><br>Use U1 monitors to display the operation status of the drive. |                          |   |                              |               |      |           |
| U1-01   | Frequency Reference      | Monitors the frequency reference                                      | 10 V: Max frequency          | 0.01 Hz       | O    | 40        |
| U1-02   | Output Frequency         | Displays the output frequency. Display units are determined by o1-03. | 10 V: Max frequency          | 0.01 Hz       | O    | 41        |
| U1-03   | Output Current           | Displays the output current.  | 10 V: Drive rated current    | 0.01 A<br></> | O    | 42        |
| U1-06   | Output Voltage Reference | Displays the output voltage.  | 10 V: 200 Vrms<br>(400 Vrms) | 0.1 V         | O    | 45        |
| U1-07   | DC Bus Voltage           | Displays the DC bus voltage.  | 10 V: 400 V (800 V)          | 1 V           | O    | 46        |

## B.2 Parameter Table

| No.  | Name                                 | Description  | Analog Output Level        | Unit | Mode | Addr. Hex |
|--|--------------------------------------|--|----------------------------|------|------|-----------|
| U1-10  | Input Terminal Status                | Displays the input terminal status.<br> <ul style="list-style-type: none"> <li><input checked="" type="checkbox"/> Digital input terminal S1 enabled</li> <li><input checked="" type="checkbox"/> Digital input terminal S2 enabled</li> <li><input checked="" type="checkbox"/> Digital input terminal S3 enabled</li> <li><input checked="" type="checkbox"/> Digital input terminal S4 enabled</li> <li><input checked="" type="checkbox"/> Digital input terminal S5 enabled</li> </ul>   | No output signal available | –    | O    | 49        |
| U1-11  | Output Terminal Status               | Displays the output terminal status.<br> <ul style="list-style-type: none"> <li><input checked="" type="checkbox"/> Multi-Function Digital Output (fault) (terminal MA/MB-MC)</li> </ul>  | No output signal available | –    | O    | 4A        |
| U1-13  | Terminal Input Level                 | Displays analog input A1 level: 100% when input is 10 V or 20 mA.  | 10 V/20 mA: 100%           | 0.1% | O    | 4E        |
| U1-19  | MEMOBUS/Modbus Error Code            | Displays the contents of a MEMOBUS/Modbus error.<br> <ul style="list-style-type: none"> <li><input checked="" type="checkbox"/> CRC Error</li> <li><input checked="" type="checkbox"/> Data Length Error</li> <li><input type="checkbox"/> Not Used</li> <li><input checked="" type="checkbox"/> Parity Error</li> <li><input checked="" type="checkbox"/> Overrun Error</li> <li><input checked="" type="checkbox"/> Framing Error</li> <li><input checked="" type="checkbox"/> Timed Out</li> <li><input type="checkbox"/> Not Used</li> </ul> | No output signal available | –    | O    | 66        |
| U1-25  | Software No. (ROM)                   | ROM ID   | No signal output avail.    | –    | O    | 4D        |
| U1-26  | Software No. (Flash)                 | Flash ID   | No signal output avail.    | –    | O    | 5B        |
| <b>U2: Fault History</b><br>Use U2 monitors to view fault history data.                      |                                      |  |                            |      |      |           |
| U2-01  | Current Fault                        | Displays the current fault.  | No signal output avail.    | –    | O    | 80        |
| U2-02  | Previous Fault                       | Displays the previous fault. o4-11 resets the values for U2-02   | No signal output avail.    | –    | O    | 81        |
| <b>U4: Maintenance Monitors</b><br>Use U4 monitors to display drive maintenance information. |                                      |  |                            |      |      |           |
| U4-01<br>↔   | Accumulated Operation Time           | Displays the cumulative operation time of the drive. The value for the cumulative operation time counter can be reset in parameter o4-01. Use parameter o4-02 to determine if the operation time should start as soon as the power is switched on or only while the run command is present. The maximum number displayed is 99999, after which the value is reset to 0.  | No signal output avail.    | 1 h  | O    | 4C        |
| U4-04  | Cooling Fan Maintenance              | Displays main cooling fan usage time as a percentage of the expected performance life. Parameter o4-03 can be used to reset this monitor.  | No signal output avail.    | 1%   | O    | 7E        |
| U4-05<br>↔   | Capacitor Maintenance                | Displays main circuit capacitor usage time as a percentage of the expected performance life. Parameter o4-05 can be used to reset this monitor.  | No signal output avail.    | 1%   | O    | 7C        |
| U4-06<br>↔   | Soft Charge Bypass Relay Maintenance | Displays the soft charge bypass relay maintenance time as a percentage of the estimated product life. Parameter o4-07 can be used to reset this monitor.   | No signal output avail.    | 1%   | O    | 7D6       |
| U4-07<br>↔   | IGBT Maintenance                     | Displays IGBT usage time as a percentage of expected performance life. Parameter o4-09 can be used to reset this monitor.  | No signal output avail.    | 1%   | O    | 7D7       |

| No.   | Name                 | Description  | Analog Output Level     | Unit          | Mode | Addr. Hex |
|-------|----------------------|--|-------------------------|---------------|------|-----------|
| U4-08 | Heatsink Temperature | Displays the heatsink temperature.   | 10 V: 100 °C            | 1 °C          | O    | 68        |
| U4-09 | LED Check            | Lights all segments of the LED to verify that the display is working properly. | No signal output avail. | –             | O    | 3C        |
| U4-13 | Peak Hold Current    | Displays the peak hold current during run.                                     | No signal output avail. | 0.01 A<br></> | O    | 7CF       |

- <1> U1-03 and U4-13 display monitor contents in amp units. When reading the value of these monitors via MEMOBUS/Modbus, a value of 8192 is equal to 100% of the drive rated output current.
- <2> When this value reaches 100%, the maintenance period has been reached for the component in question and the drive is at risk of faulting out due to component failure. Periodically check the maintenance monitors to avoid this situation.
- <3> MEMOBUS/Modbus communications data is in 10 h units. If data in 1 h units are also required, refer to register 0099H.

## B.3 Defaults by Drive Model and Duty Rating ND/HD

**Table B.2 Single-Phase, 200 V Class Drives Default Settings by Drive Capacity and ND/HD Settings**

| No.   | Description                            | Unit | Default Settings |       |        |      |        |       |
|-------|--|------|------------------|-------|--------|------|--------|-------|
|       |  |      | BA0001           |       | BA0002 |      | BA0003 |       |
| –     | Model                                  | –    | 30               |       | 31     |      | 32     |       |
| o2-04 | Drive Model Selection                  | Hex  | 30               |       | 31     |      | 32     |       |
| C6-01 | Normal/Heavy Duty                      | –    | HD               | ND    | HD     | ND   | HD     | ND    |
|       |  |      | 0                | 1     | 0      | 1    | 0      | 1     |
| –     | Motor rated power                      | kW   | 0.1              | 0.18  | 0.25   | 0.37 | 0.55   | 0.75  |
| C6-02 | Carrier frequency                      | –    | 4                | 7     | 4      | 7    | 4      | 7     |
| E2-01 | Motor rated current                    | A    | 0.60             | 1.10  | 1.10   | 1.90 | 1.90   | 3.30  |
| E2-02 | Motor rated slip                       | Hz   | 2.50             | 2.60  | 2.60   | 2.90 | 2.90   | 2.50  |
| E2-03 | Motor no-load current                  | A    | 0.40             | 0.80  | 0.80   | 1.20 | 1.20   | 1.80  |
| E2-05 | Motor line-to-line resistance          | Ω    | 35.98            | 20.56 | 20.56  | 9.84 | 9.842  | 5.156 |
| –     | Momentary power loss ride-through time | s    | 0.1              | 0.1   | 0.1    | 0.1  | 0.1    | 0.1   |
| –     | Mom. power loss Baseblock time         | s    | 0.2              | 0.2   | 0.2    | 0.2  | 0.2    | 0.3   |

| No.   | Description                            | Unit | Default Settings |       |        |       |
|-------|--|------|------------------|-------|--------|-------|
|       |  |      | BA0006           |       | BA0010 |       |
| –     | Model                                  | –    | 33               |       | 34     |       |
| o2-04 | Drive Model Selection                  | Hex  | 33               |       | 34     |       |
| C6-01 | Normal/Heavy Duty                      | –    | HD               | ND    | HD     | ND    |
|       |  |      | 0                | 1     | 0      | 1     |
| C6-02 | Carrier frequency                      | –    | 4                | 7     | 3      | 7     |
| E2-01 | Motor rated current                    | A    | 3.30             | 6.20  | 6.20   | 8.50  |
| E2-02 | Motor rated slip                       | Hz   | 2.50             | 2.60  | 2.60   | 2.90  |
| E2-03 | Motor no-load current                  | A    | 1.80             | 2.80  | 2.80   | 3.00  |
| E2-05 | Motor line-to-line resistance          | Ω    | 5.156            | 1.997 | 1.997  | 1.601 |
| –     | Momentary power loss ride-through time | s    | 0.2              | 0.2   | 0.3    | 0.3   |
| –     | Momentary power loss Baseblock time    | s    | 0.3              | 0.4   | 0.4    | 0.5   |

**Table B.3 Three-Phase, 200 V Class Drives Default Settings by Drive Capacity and ND/HD Setting**

| No.   | Description                            | Unit | Default Settings |       |        |      |        |       |        |       |        |       |
|-------|--|------|------------------|-------|--------|------|--------|-------|--------|-------|--------|-------|
|       |  |      | 2A0001           |       | 2A0002 |      | 2A0004 |       | 2A0006 |       | 2A0010 |       |
| –     | Model                                  | –    | 60               |       | 61     |      | 62     |       | 63     |       | 65     |       |
| o2-04 | Drive Model Selection                  | Hex  | 60               |       | 61     |      | 62     |       | 63     |       | 65     |       |
| C6-01 | Normal/Heavy Duty                      | –    | HD               | ND    | HD     | ND   | HD     | ND    | HD     | ND    | HD     | ND    |
|       |  |      | 0                | 1     | 0      | 1    | 0      | 1     | 0      | 1     | 0      | 1     |
| –     | Motor rated power                      | kW   | 0.1              | 0.18  | 0.25   | 0.37 | 0.55   | 0.75  | 1.1    | 1.1   | 1.5    | 2.2   |
| C6-02 | Carrier frequency                      | –    | 4                | 7     | 4      | 7    | 4      | 7     | 4      | 7     | 3      | 7     |
| E2-01 | Motor rated current                    | A    | 0.60             | 1.10  | 1.10   | 1.90 | 1.90   | 3.30  | 3.30   | 4.90  | 6.20   | 8.50  |
| E2-02 | Motor rated slip                       | Hz   | 2.50             | 2.60  | 2.60   | 2.90 | 2.90   | 2.50  | 2.50   | 2.60  | 2.60   | 2.90  |
| E2-03 | Motor no-load current                  | A    | 0.40             | 0.80  | 0.80   | 1.20 | 1.20   | 1.80  | 1.80   | 2.30  | 2.80   | 3.00  |
| E2-05 | Motor line-to-line resistance          | Ω    | 35.98            | 20.56 | 20.56  | 9.84 | 9.842  | 5.156 | 5.156  | 3.577 | 1.997  | 1.601 |
| –     | Momentary power loss ride-through time | s    | 0.1              | 0.1   | 0.1    | 0.1  | 0.1    | 0.1   | 0.2    | 0.2   | 0.3    | 0.3   |
| –     | Momentary power loss Baseblock time    | s    | 0.2              | 0.2   | 0.2    | 0.2  | 0.2    | 0.3   | 0.3    | 0.4   | 0.4    | 0.5   |

### B.3 Defaults by Drive Model and Duty Rating ND/HD

| No.   | Description                            | Unit | Default Settings |       |        |       |
|-------|--|------|------------------|-------|--------|-------|
|       |  |      | 2A0012           |       | 2A0020 |       |
| -     | Model                                  | -    | 66               |       | 68     |       |
| o2-04 | Drive Model Selection                  | Hex  | 66               |       | 68     |       |
| C6-01 | Normal/Heavy Duty                      | -    | HD               | ND    | HD     | ND    |
|       |  |      | 0                | 1     | 0      | 1     |
| -     | Motor rated power                      | kW   | 2.2              | 3.0   | 4.0    | 5.5   |
| C6-02 | Carrier frequency                      | -    | 3                | 7     | 3      | 7     |
| E2-01 | Motor rated current                    | A    | 8.50             | 11.40 | 14.0   | 19.60 |
| E2-02 | Motor rated slip                       | Hz   | 2.90             | 2.70  | 2.73   | 1.50  |
| E2-03 | Motor no-load current                  | A    | 3.00             | 3.70  | 4.50   | 5.10  |
| E2-05 | Motor line-to-line resistance          | Ω    | 1.601            | 1.034 | 0.771  | 0.399 |
| -     | Momentary power loss ride-through time | s    | 0.5              | 0.5   | 1      | 1     |
| -     | Momentary power loss Baseblock time    | s    | 0.5              | 0.5   | 0.6    | 0.7   |

**Table B.4 Three-Phase 400 V Class Drives Default Settings by Drive Capacity and ND/HD Setting**

| No.   | Description                            | Unit | Default Settings |       |        |        |        |      |        |       |
|-------|--|------|------------------|-------|--------|--------|--------|------|--------|-------|
|       |  |      | 4A0001           |       | 4A0002 |        | 4A0004 |      | 4A0005 |       |
| -     | Model                                  | -    | 91               |       | 92     |        | 93     |      | 94     |       |
| o2-04 | Drive Model Selection                  | Hex  | 91               |       | 92     |        | 93     |      | 94     |       |
| C6-01 | Normal/Heavy Duty                      | -    | HD               | ND    | HD     | ND     | HD     | ND   | HD     | ND    |
|       |  |      | 0                | 1     | 0      | 1      | 0      | 1    | 0      | 1     |
| -     | Motor rated power                      | kW   | 0.37             | 0.37  | 0.55   | 0.75   | 1.1    | 1.5  | 1.5    | 2.2   |
| C6-02 | Carrier frequency                      | -    | 3                | 7     | 3      | 7      | 3      | 7    | 3      | 7     |
| E2-01 | Motor rated current                    | A    | 0.60             | 1.00  | 1.00   | 1.60   | 1.60   | 3.10 | 3.10   | 4.20  |
| E2-02 | Motor rated slip                       | Hz   | 2.50             | 2.90  | 2.90   | 2.60   | 2.60   | 2.50 | 2.50   | 3.00  |
| E2-03 | Motor no-load current                  | A    | 0.40             | 0.60  | 0.60   | 0.80   | 0.80   | 1.40 | 1.40   | 1.50  |
| E2-05 | Motor line-to-line resistance          | Ω    | 83.94            | 38.20 | 38.198 | 22.459 | 22.459 | 10.1 | 10.1   | 6.495 |
| -     | Momentary power loss ride-through time | s    | 0.1              | 0.1   | 0.1    | 0.1    | 0.2    | 0.2  | 0.3    | 0.3   |
| -     | Momentary power loss Baseblock time    | s    | 0.2              | 0.2   | 0.2    | 0.3    | 0.3    | 0.4  | 0.4    | 0.5   |

| No.   | Description                            | Unit | Default Setting |       |        |       |        |       |
|-------|--|------|-----------------|-------|--------|-------|--------|-------|
|       |  |      | 4A0007          |       | 4A0009 |       | 4A0011 |       |
| -     | Model                                  | -    | 95              |       | 96     |       | 97     |       |
| o2-04 | Drive Model Selection                  | -    | 95              |       | 96     |       | 97     |       |
| C6-01 | Normal/Heavy Duty                      | -    | HD              | ND    | HD     | ND    | HD     | ND    |
|       |  |      | 0               | 1     | 0      | 1     | 0      | 1     |
| -     | Motor rated power                      | kW   | 2.2             | 3.0   | 3.0    | 4.0   | 4.0    | 5.5   |
| C6-02 | Carrier frequency                      | -    | 3               | 7     | 3      | 7     | 3      | 7     |
| E2-01 | Motor rated current                    | A    | 4.20            | 5.70  | 5.70   | 7.00  | 7.00   | 9.80  |
| E2-02 | Motor rated slip                       | Hz   | 3.00            | 2.70  | 2.70   | 2.70  | 2.70   | 1.50  |
| E2-03 | Motor no-load current                  | A    | 1.50            | 1.90  | 1.90   | 2.30  | 2.30   | 2.60  |
| E2-05 | Motor line-to-line resistance          | Ω    | 6.495           | 4.360 | 4.360  | 3.333 | 3.333  | 1.595 |
| -     | Momentary power loss ride-through time | s    | 0.5             | 0.5   | 0.5    | 0.5   | 0.5    | 0.5   |
| -     | Momentary power loss Baseblock time    | s    | 0.5             | 0.5   | 0.5    | 0.6   | 0.6    | 0.7   |

**This Page Intentionally Blank**



# Appendix: C

## **MEMOBUS/Modbus Communications**

---

|             |  |            |
|-------------|--|------------|
| <b>C.1</b>  | <b>SECTION SAFETY.....</b>                     | <b>210</b> |
| <b>C.2</b>  | <b>MEMOBUS/MODBUS CONFIGURATION.....</b>       | <b>211</b> |
| <b>C.3</b>  | <b>COMMUNICATION SPECIFICATIONS.....</b>       | <b>212</b> |
| <b>C.4</b>  | <b>CONNECTING TO A NETWORK.....</b>            | <b>213</b> |
| <b>C.5</b>  | <b>MEMOBUS/MODBUS SETUP PARAMETERS.....</b>    | <b>217</b> |
| <b>C.6</b>  | <b>DRIVE OPERATIONS BY MEMOBUS/MODBUS.....</b> | <b>220</b> |
| <b>C.7</b>  | <b>COMMUNICATIONS TIMING.....</b>              | <b>221</b> |
| <b>C.8</b>  | <b>MESSAGE FORMAT.....</b>                     | <b>222</b> |
| <b>C.9</b>  | <b>MESSAGE EXAMPLES.....</b>                   | <b>224</b> |
| <b>C.10</b> | <b>MEMOBUS/MODBUS DATA TABLE.....</b>          | <b>226</b> |
| <b>C.11</b> | <b>CHANGING DRIVE PARAMETERS.....</b>          | <b>233</b> |
| <b>C.12</b> | <b>COMMUNICATION ERRORS.....</b>               | <b>234</b> |
| <b>C.13</b> | <b>SELF-DIAGNOSTICS.....</b>                   | <b>235</b> |

## C.1 Section Safety

### DANGER

#### Electrical Shock Hazard

**Do not connect or disconnect wiring while the power is on.**

Failure to comply will result in death or serious injury.

Before servicing, disconnect all power to the equipment. The internal capacitor remains charged even after the power supply is turned off. The charge indicator LED will extinguish when the DC bus voltage is below 50 Vdc. To prevent electric shock, wait at least one minute after all indicators are OFF and measure the DC bus voltage level to confirm safe level.

### WARNING

**Do not operate equipment with covers removed.**

Failure to comply could result in death or serious injury.

**Do not perform work on the drive while wearing loose clothing, jewelry or without eye protection.**

Failure to comply could result in death or serious injury.

Remove all metal objects such as watches and rings, secure loose clothing and wear eye protection before beginning work on the drive.

**Do not remove covers or touch circuit boards while the power is on.**

Failure to comply could result in death or serious injury.

**Do not allow unqualified personnel to use equipment.**

Failure to comply could result in death or serious injury.

Maintenance, inspection and replacement of parts must be performed only by authorized personnel familiar with installation, adjustment and maintenance of AC drives.

**Before wiring terminals, disconnect all power to the equipment.**

The internal capacitor remains charged even after the power supply is turned off. The charge indicator LED will extinguish when the DC bus voltage is below 50 Vdc. To prevent electric shock, wait at least one minute after all indicators are OFF and measure the DC bus voltage level to confirm safe level.

#### Fire Hazard

**Tighten all terminal screws to the specified tightening torque.**

Loose electrical connections could result in death or serious injury by fire due to overheating of electrical connections.

### CAUTION

#### Crush Hazard

**Do not carry the drive by the front cover.**

Failure to comply may result in minor or moderate injury from the main body of the drive falling.

### NOTICE

**Observe proper electrostatic discharge procedures (ESD) when handling the drive and circuit boards.**

Failure to comply may result in ESD damage to the drive circuitry.

**Check all the wiring to ensure that all connections are correct after installing the drive and connecting any other devices.**

Failure to comply could result in damage to the drive.

## C.2 MEMOBUS/Modbus Configuration

Drives can be controlled from a PLC or other master device via serial communications after installing the interface for MEMOBUS/Modbus communication (SI-485/J).

MEMOBUS/Modbus communication can be configured using one master (PLC) and a maximum of 255 slaves. The drive has slave functionality only, meaning that serial communication is normally initiated from the master and responded to by the slaves.

The master performs serial communications with only one slave at a time. The address or node for each slave must be set beforehand so that the master can communicate with the slave at that address. A slave that receives a command from the master will perform the specified function and then send a response back to the master.

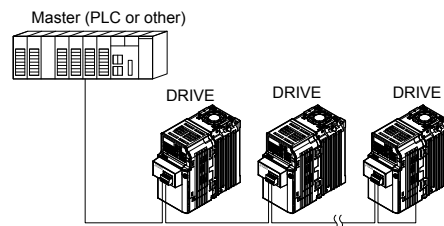


Figure C.1 Connecting Multiple Drives to a PLC

### C.3 Communication Specifications

MEMOBUS/Modbus specifications appear in the following table:

| Item                     | Specifications                            |                                     |
|--------------------------|---|-------------------------------------|
| Interface                | RS-422, RS-485                            |                                     |
| Communications Cycle     | Asynchronous (Start-stop synchronization) |                                     |
| Communication Parameters | Communication Speeds Available            | 1.2; 2.4; 4.8; 9.6; 19.2; 38.4 kbps |
|                          | Data length                               | 8 bit (fixed)                       |
|                          | Parity                                    | Select even, odd, or none           |
|                          | Stop bit                                  | 1 bit (fixed)                       |
| Protocol                 | MEMOBUS/Modbus (using RTU mode only)      |                                     |
| Max Number of Slaves     | 255 drives (RS-485)                       |                                     |

## C.4 Connecting to a Network

This section explains the connection of a drive to a MEMOBUS/Modbus network and the network termination.

### ◆ Network Cable Connection

Follow the instructions below to connect the drive to a MEMOBUS/Modbus network.

1. With the power shut off, connect the communications cable to the drive and the master. Use the terminals shown in the figure below for network cable connections.

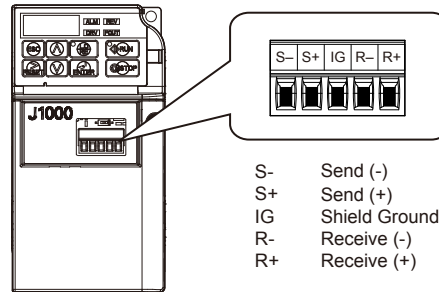


Figure C.2 Serial Communications Cable Connection Terminals

**Note:** Separate the communications cables from the main circuit cables and other wiring and power cables. Use shielded cables for the communications cables, and properly shielded clamps to prevent problems with noise. When using RS-485 communications, connect S+ to R+, and S- to R- as shown in the diagram below.

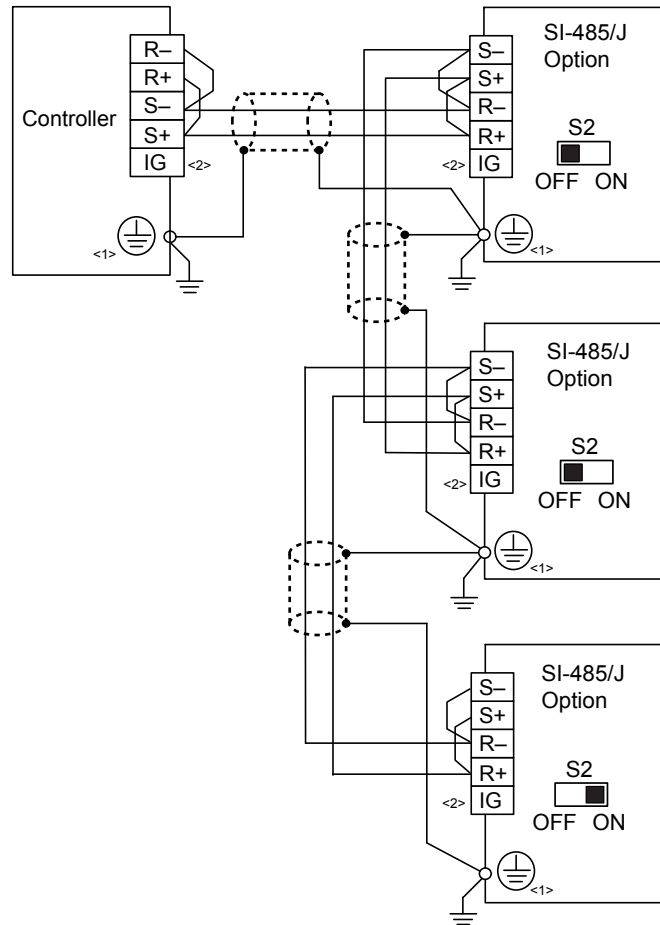
2. Check or set the terminating resistance at all slaves. Refer to [Network Termination](#) for Network Termination on SI-485/J.
3. Switch the power on.
4. Set the parameters needed for serial communications (H5-01 through H5-07, -12, -13) using the LED operator.
5. Shut the power off and wait until the display on the LED operator goes out completely.
6. Turn the power back on.
7. The drive is now ready to begin communicating with the master.

### ◆ Wiring Diagram for Multiple Connections

*Figure C.3* and *Figure C.4* explain the wiring diagrams for multiple connections using MEMOBUS/Modbus communication.

#### ■ RS-485 Interface

**Note:** The isolated ground (IG) connection is optional but strongly recommended to improve network immunity to electrical interference.



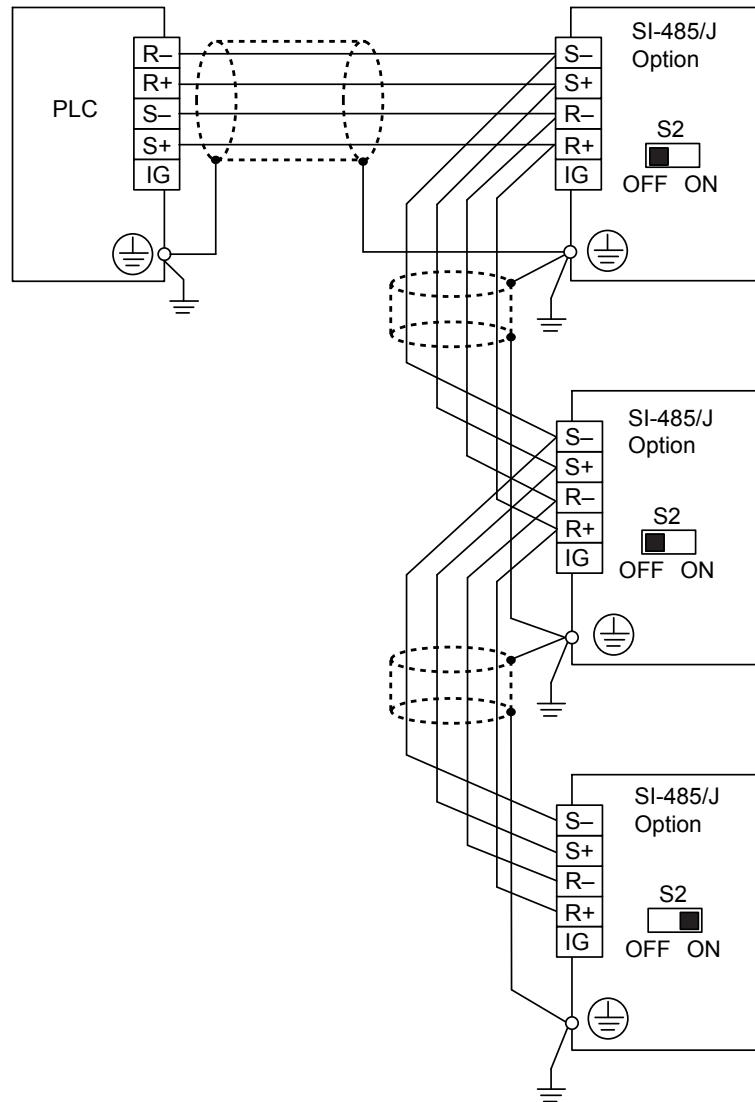
<1> The  $\oplus$  Ground symbol represents a direct electrical connection to the Earth. Connect the shield to ground at the controller side only if common mode noise issues are suspected.

<2> The IG terminal is the signal common point for the RS-485 transceiver chip power supply. Connect the isolated ground IG between all nodes to help prevent the coupling of external noise to the bus and to limit bus emissions if desired.

**Figure C.3 RS-485 Interface**

- Note:**
1. Set DIP switch S2 on the SI-485/J option to the ON position on the drive located at the end of the network. Set DIP switch S2 on the SI-485/J options to the OFF positions on all other slave devices.
  2. Set H5-07 to 1 when using the RS-485 interface.

## ■ RS-422 Interface



**Figure C.4 RS-422 Interface**

- Note:**
1. Set DIP switch S2 on the SI-485/J option to the ON position on the drive located at the end of the network. Set DIP switch S2 on the SI-485/J options to the OFF positions on all other slave devices.
  2. Set H5-07 to 1 when using the RS-422 interface in a multi-drop circuit.  
Set H5-07 to 0 when using the RS-422 interface in a point-to-point circuit.

### ◆ Network Termination

The two ends of the MEMOBUS/Modbus network line have to be terminated. The Interface for MEMOBUS/Modbus Communication (SI-485/J) has a built in terminating resistance that can be enabled or disabled using DIP switch S2. If a drive is located at the end of a network line, enable the terminating resistance by setting DIP switch S2 to the ON position. Disable the terminating resistance on all slaves that are not located at the network line end. *Figure C.5* illustrates the setting of DIP switch S2.

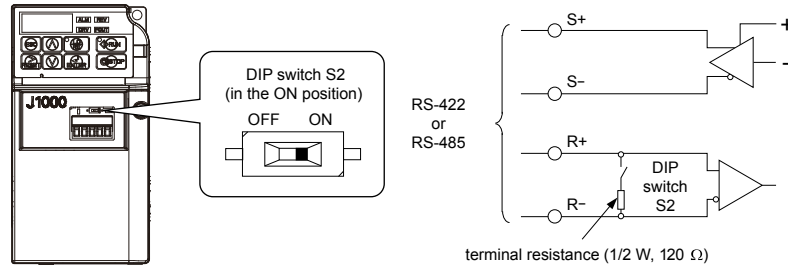


Figure C.5 Serial Communications Terminal and DIP Switch S2



## C.5 MEMOBUS/Modbus Setup Parameters

### ◆ MEMOBUS/Modbus Serial Communication

This section describes parameters necessary to set up MEMOBUS/Modbus communications.

#### ■ H5-01: Drive Slave Address

Sets the drive slave address used for MEMOBUS/Modbus communications.

**Note:** After changing this parameter, the power must be cycled to enable the new setting.

| No.   | Name                | Setting Range | Default |
|-------|---------------------|---------------|---------|
| H5-01 | Drive Slave Address | 0 to FF <1>   | 1F      |

<1> If the address is set to 0, no response will be provided during communications.

For serial communications to work, each individual slave drive must be assigned a unique slave address. Setting H5-01 to any value besides 0 assigns the drive its address in the network. Slave address don't need to be assigned in sequential order, but each address needs to be unique so that no two drives have the same address.

#### ■ H5-02: Communication Speed Selection

Sets the MEMOBUS/Modbus communications speed.

**Note:** After changing this parameter, the power must be cycled to enable the new setting.

| No.   | Name                          | Setting Range | Default |
|-------|-------------------------------|---------------|---------|
| H5-02 | Communication Speed Selection | 0 to 5        | 3       |

| H5-02 | Communication Speed |
|-------|---------------------|
| 0     | 1200 bps            |
| 1     | 2400 bps            |
| 2     | 4800 bps            |
| 3     | 9600 bps            |
| 4     | 19200 bps           |
| 5     | 38400 bps           |

#### ■ H5-03: Communication Parity Selection

Sets the parity used for MEMOBUS/Modbus communications.

**Note:** After changing this parameter, the power must be cycled to enable the new setting.

| No.   | Name                           | Setting Range | Default |
|-------|--------------------------------|---------------|---------|
| H5-03 | Communication Parity Selection | 0 to 2        | 0       |

**Setting 0: No Parity**

**Setting 1: Even Parity**

**Setting 2: Odd Parity**

#### ■ H5-04: Stopping Method after Communication Error

Selects the stopping method after a communications error (CE) has occurred.

| No.   | Name                                      | Setting Range | Default |
|-------|---|---------------|---------|
| H5-04 | Stopping Method after Communication Error | 0 to 3        | 3       |

**Setting 0: Ramp to Stop Using Current Accel/Decel Time**

**Setting 1: Coast to Stop**

**Setting 2: Fast-stop Using C1-09**

## C.5 MEMOBUS/Modbus Setup Parameters

### Setting 3: Alarm Only, Continue Operation

#### ■ H5-05: Communication Fault Detection Selection

Enables or disabled the communication error (CE) detection for MEMOBUS/Modbus communications.

| No.   | Name                                    | Setting Range | Default |
|-------|---|---------------|---------|
| H5-05 | Communication Fault Detection Selection | 0 or 1        | 1       |

#### Setting 0: Disabled

No error detection. The drive continues operation.

#### Setting 1: Enabled

If the drive does not receive data from the master for longer than 2 s, then a CE fault will be triggered and the drive will operate as determined by parameter H5-04.

#### ■ H5-06: Drive Transmit Wait Time

Sets the time the drive waits after receiving data from a master until responding data.

| No.   | Name                     | Setting Range | Default |
|-------|--------------------------|---------------|---------|
| H5-06 | Drive Transmit Wait Time | 5 to 65 ms    | 10 ms   |

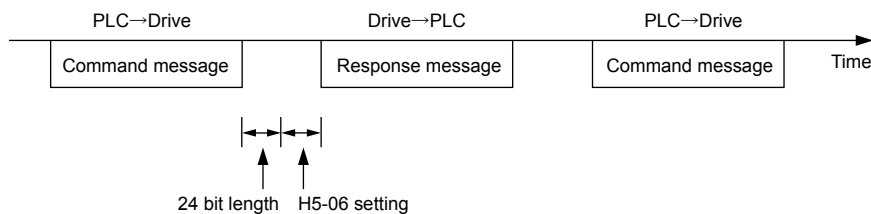


Figure C.6 Drive Transmit Wait Time Setting

#### ■ H5-07: RTS Control Selection

Enables or disables RTS control.

| No.   | Name                  | Setting Range | Default |
|-------|-----------------------|---------------|---------|
| H5-07 | RTS Control Selection | 0 or 1        | 1       |

#### Setting 0: Disabled - RTS is Always ON

Use this setting with point-to-point or multi-drop RS-422 communications.

#### Setting 1: Enabled - RTS Switches while Sending

Use this setting when using RS-485 signals for communications or when using the RS-422 signals for point-to-point communications.

#### ■ H5-12: Run Command Method Selection

Selects the type of sequence used when the Run command source is set to MEMOBUS/Modbus communications (b1-02 = 2).

| No.   | Name                         | Setting Range | Default |
|-------|------------------------------|---------------|---------|
| H5-12 | Run Command Method Selection | 0 or 1        | 0       |

#### Setting 0: FWD/Stop, REV/Stop

Bit 0 of MEMOBUS/Modbus register 0001H will start and stop the drive in the forward direction. Bit 1 will start and stop the drive in reverse.

#### Setting 1: Run/Stop, FWD/REV

Bit 0 of MEMOBUS/Modbus register 0001H will start and stop the drive. Bit 1 changes the direction.

**■ H5-13 MEMOBUS Frequency Reference and Frequency Monitor Unit**

| No.   | Name   | Setting Range | Default |
|-------|--|---------------|---------|
| H5-13 | MEMOBUS Frequency Reference and Frequency Monitor Unit | 0 to 3        | 0       |

**Setting 0: 0.1Hz / 1**

**Setting 1: o1-03 Based**

**Setting 2: 100% / 30000**

**Setting 3: 0.1% / 1**

# C.6 Drive Operations by MEMOBUS/Modbus

The drive operations that can be performed by MEMOBUS/Modbus communication depend on drive parameter settings. This section explains the functions that can be used and related parameter settings.

### ◆ Observing the Drive Operation

A PLC can perform the following actions with MEMOBUS/Modbus communications at any time regardless of parameter settings (except H5-□□).

- Observe drive status and drive control terminal status from a PLC.
- Read and write parameters.
- Set and reset faults.
- Set multi-function inputs. Inputs settings from the input terminals S□ and from MEMOBUS/Modbus communications are both linked by an OR operation.

### ◆ Controlling the Drive

To start and stop the drive or set the frequency reference using MEMOBUS/Modbus communications, an external reference must be selected and the parameters listed below must be adjusted accordingly.

**Table C.1 Setting Parameters for Drive Control from MEMOBUS/Modbus**

| Parameter | Name                          | Required Setting |
|-----------|-------------------------------|------------------|
| b1-01     | Frequency Reference Selection | 2                |
| b1-02     | Run Command Selection         | 2                |

*Refer to b1-01: Frequency Reference Selection on page 79* and *Refer to b1-02: Run Command Selection on page 80* for details on external reference parameter selections.

## C.7 Communications Timing

To prevent overrun in the slave drive, the master should wait a certain time between sending messages to the same drive. In the same way, the slave drive must wait before sending response messages to prevent an overrun in the master. This section explains the message timing.

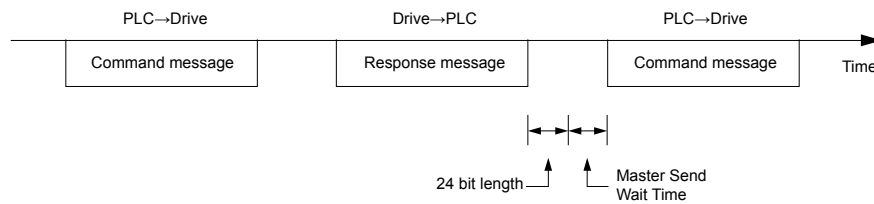
### ◆ Command Messages from Master to Drive

In order to prevent overrun and data loss, the master must wait between receiving a response and sending the same type of command as before to the same slave drive. The minimum wait time depends on the command as shown in the table below.

**Table C.2 Minimum Wait Time for Sending Messages**

| Command Type | Example   | Minimum Wait Time |
|--------------|---|-------------------|
| 1            | <ul style="list-style-type: none"> <li>Control command (Run, Stop)</li> <li>Set inputs/outputs</li> <li>Read monitors and parameter values</li> </ul> | 10 ms             |
| 2            | <ul style="list-style-type: none"> <li>Write parameters</li> </ul>  | 50 ms </>         |
| 3            | <ul style="list-style-type: none"> <li>Save changes using an Enter command</li> </ul>   | 3 to 5 s </>      |

<1> If the drive receives command type 1 data during the minimum wait time, it will perform the command and then respond. However, if it receives a command type 2 or 3 during that time, either a communication error will result or the command will be ignored.

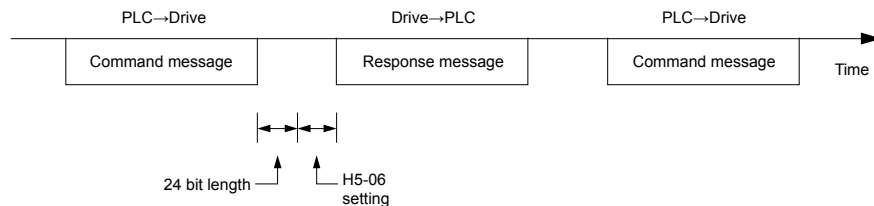


**Figure C.7 Minimum Wait Time for Sending Messages**

A timer should be set in the master to check how long it takes for the slave drive(s) to respond to the master. If no response is received within a certain amount of time, the master should try resending the message.

### ◆ Response Messages from Drive to Master

If the drive receives a command from the master, it will process the data received and wait for the time set in H5-06 until it responds. Increase H5-06 if the drive response causes overrun in the master.



**Figure C.8 Minimum Response Wait Time**

## C.8 Message Format

### ◆ Message Content

In MEMOBUS/Modbus communications, the master sends commands to the slave, and the slave responds. The message format is configured for both sending and receiving as shown below, and the length of data packets depends on the command (function) content.

|               |
|---------------|
| SLAVE ADDRESS |
| FUNCTION CODE |
| DATA          |
| ERROR CHECK   |

### ◆ Slave Address

The slave address in the message defines the note the message is sent to. Use addresses between 0 and FFH. If a message with slave address 0 is sent (broadcast), the command from the master will be received by all slaves. The slaves do not provide a response to a broadcast type message.

### ◆ Function Code

The three types of function codes are shown in the table below.

| Function Code | Function Name                              | Data Length (bytes) |         |                  |         |
|---------------|--|---------------------|---------|------------------|---------|
|               |  | Command Message     |         | Response Message |         |
|               |  | Minimum             | Maximum | Minimum          | Maximum |
| 03H           | Read MEMOBUS/Modbus registers              | 8                   | 8       | 7                | 37      |
| 08H           | Loopback test                              | 8                   | 8       | 8                | 8       |
| 10H           | Write to multiple MEMOBUS/Modbus registers | 11                  | 41      | 8                | 8       |

### ◆ Data

Configure consecutive data by combining the MEMOBUS/Modbus register address (test code in case of a loopback test) and the data the register contains. The data length changes depending on the command details.

A drive MEMOBUS/Modbus register always has a data length of two bytes. Therefore data written into drive registers must also always have a length of two bytes. Register data read out from the drive will always consist of two bytes.

### ◆ Error Check

The drive uses a CRC-16 (cyclic redundancy check, checksum method) for checking data validity. Use the procedure described below when calculating the CRC-16 checksum for command data or when verifying response data.

#### ■ Command Data

When the drive receives data, it calculates the CRC-16 checksum from the data and compares it to the CRC-16 value received within the message. Both must match before a command is processed.

An initial value of FFFFH (i.e., all 16 bits equal 1) must be used for CRC-16 calculations for the MEMOBUS/Modbus protocol.

Calculate the CRC-16 checksum using the following steps:

- The starting value is FFFFH.
- Perform an XOR operation of this value and the slave address.
- Right shift the result.
- When the overflow bit of the shift operation becomes 1, perform an XOR operation of the result from step 3 above and the fix value A001H.
- Repeat steps 3 and 4 until eight shift operations have been performed.
- After eight shift operations, perform an XOR operation with the result and the next data in the message (function code, register address, data). Continue with steps 3 to 5 until the last data has been processed.
- The result of the last shift or XOR operation is the checksum.

The example in *Table C.3* shows the CRC-16 calculation of the slave address 02H and the function code 03H, yielding the result D140H.

**Note:** This example does not show the calculation for a complete MEMOBUS/Modbus command. Normally data would follow in the calculation.

**Table C.3 CRC-16 Checksum Calculation Example**

| Description                                       | Calculation         | Overflow | Description                        | Calculation                | Overflow |  |
|---|---------------------|----------|------------------------------------|----------------------------|----------|--|
| Initial Value (FFFFH)                             | 1111 1111 1111 1111 |          | Function Code 03H                  | 0000 0000 0000 0011        |          |  |
| Address 02H                                       | 0000 0000 0000 0010 |          | XOR w result                       | 1000 0001 0011 1101        |          |  |
| XOR w initial value                               | 1111 1111 1111 1101 |          | Shift 1                            | 0100 0000 1001 1110        | 1        |  |
| Shift 1   | 0111 1111 1111 1110 | 1        | XOR w A001H                        | 1010 0000 0000 0001        |          |  |
| XOR w A001H                                       | 1010 0000 0000 0001 |          | XOR result                         | 1110 0000 1001 1111        |          |  |
| XOR result  | 1101 1111 1111 1111 |          | Shift 2                            | 0111 0000 0100 1111        | 1        |  |
| Shift 2   | 0110 1111 1111 1111 | 1        | XOR w A001H                        | 1010 0000 0000 0001        |          |  |
| XOR w A001H                                       | 1010 0000 0000 0001 |          | XOR result                         | 1101 0000 0100 1110        |          |  |
| XOR result  | 1100 1111 1111 1110 |          | Shift 3                            | 0110 1000 0010 0111        | 0        |  |
| Shift 3   | 0110 0111 1111 1111 | 0        | Shift 4                            | 0011 0100 0001 0011        | 0        |  |
| Shift 4   | 0011 0011 1111 1111 | 1        | XOR w A001H                        | 1010 0000 0000 0001        |          |  |
| XOR w A001H                                       | 1010 0000 0000 0001 |          | XOR result                         | 1001 0100 0001 0010        |          |  |
| XOR result  | 1001 0011 1111 1110 |          | Shift 5                            | 0100 1010 0000 1001        | 0        |  |
| Shift 5   | 0100 1001 1111 1111 | 0        | Shift 6                            | 0010 0101 0000 0100        | 1        |  |
| Shift 6   | 0010 0100 1111 1111 | 1        | XOR w A001H                        | 1010 0000 0000 0001        |          |  |
| XOR w A001H                                       | 1010 0000 0000 0001 |          | XOR result                         | 1000 0101 0000 0101        |          |  |
| XOR result  | 1000 0100 1111 1110 |          | Shift 7                            | 0100 0010 1000 0010        | 1        |  |
| Shift 7   | 0100 0010 0111 1111 | 0        | XOR w A001H                        | 1010 0000 0000 0001        |          |  |
| Shift 8   | 0010 0001 0011 1111 | 1        | XOR result                         | 1110 0010 1000 0011        |          |  |
| XOR w A001H                                       | 1010 0000 0000 0001 |          | Shift 8                            | 0111 0001 0100 0001        | 1        |  |
| XOR result  | 1000 0001 0011 1110 |          | XOR w A001H                        | 1010 0000 0000 0001        |          |  |
| Perform operations with next data (function code) |                     |          | XOR result                         | 1101 0001 0100 0000        |          |  |
|   |                     |          | CRC-16                             | 1101 0001 0100 0000        |          |  |
|   |                     |          |                                    | D 1 4 0<br>(Lower) (Upper) |          |  |
|   |                     |          | Continue from here with next data. |                            |          |  |

**Response Data**

To be sure that the data is valid, perform a CRC-16 calculation on the response message data as described above. Compare the result to the CRC-16 checksum that was received within the response message. Both should match.

## C.9 Message Examples

Below are some examples of command and response messages.

### ◆ Reading Drive MEMOBUS/Modbus Register Contents

Using the function code 03H (Read), a maximum of 16 MEMOBUS/Modbus registers can be read out at a time.

The following table shows message examples when reading status signals, error details, data link status, and frequency references from the slave 2 drive.

| Command Message |        |       | Response Message (normal) |                       |       | Response Message (fault) |       |     |
|-----------------|--------|-------|---------------------------|-----------------------|-------|--------------------------|-------|-----|
| Slave Address   |        | 02H   | Slave Address             |                       | 02H   | Slave Address            |       | 02H |
| Function Code   |        | 03H   | Function Code             |                       | 03H   | Function Code            |       | 83H |
| Starting No.    | Upper  | 00H   | Data Quantity             |                       | 08H   | Error Code               |       | 03H |
|                 | Lower  | 20H   | 1st storage register      | Upper                 | 00H   | CRC-16                   | Upper | F1H |
| Data Quantity   | Upper  | 00H   |                           | Lower                 | 65H   |                          | Lower | 31H |
|                 | CRC-16 | Upper | 45H                       | Next storage register | Upper | 00H                      |       |     |
| Lower           |        | FOH   | Lower                     |                       | 00H   |                          |       |     |
|                 |        |       | Next storage register     | Upper                 | 00H   |                          |       |     |
|                 |        |       |                           | Lower                 | 00H   |                          |       |     |
|                 |        |       | Next storage register     | Upper                 | 01H   |                          |       |     |
|                 |        |       |                           | Lower                 | F4H   |                          |       |     |
|                 |        |       | CRC-16                    | Upper                 | AFH   |                          |       |     |
|                 |        |       |                           | Lower                 | 82H   |                          |       |     |

### ◆ Loopback Test

Function code 08H performs a loopback test. This test returns a response message with exactly the same content as the command message and can be used to check the communications between the master and slave. User-defined test code and data values can be set.

The following table shows a message example when performing a loopback test with the slave 1 drive.

| Command Message |       |     | Response Message (normal) |       |     | Response Message (fault) |       |     |
|-----------------|-------|-----|---------------------------|-------|-----|--------------------------|-------|-----|
| Slave Address   |       | 01H | Slave Address             |       | 01H | Slave Address            |       | 01H |
| Function Code   |       | 08H | Function Code             |       | 08H | Function Code            |       | 89H |
| Test Code       | Upper | 00H | Test Code                 | Upper | 00H | Error Code               |       | 01H |
|                 | Lower | 00H |                           | Lower | 00H | CRC-16                   | Upper | 86H |
| Data            | Upper | A5H | Data                      | Upper | A5H |                          | Lower | 50H |
|                 | Lower | 37H |                           | Lower | 37H |                          |       |     |
| CRC-16          | Upper | DAH | CRC-16                    | Upper | DAH |                          |       |     |
|                 | Lower | 8DH |                           | Lower | 8DH |                          |       |     |



## ◆ Writing to Multiple Registers

Function code 10h allows the user to write multiple drive MEMOBUS/Modbus registers with one message. This process works similar to reading registers, i.e., the address of the first register that is to be written and the data quantity must be set in the command message. The data to be written must be consecutive so that the register addresses are in order, starting from the specified address in the command message. The data order must be high byte, then lower byte.

The following table shows an example of a message where a forward operation has been set with a frequency reference of 60.00 Hz for the slave 1 drive.

| Command Message |       |     | Response Message (normal) |       |     | Response Message (fault) |       |     |
|-----------------|-------|-----|---------------------------|-------|-----|--------------------------|-------|-----|
| Slave Address   |       | 01H | Slave Address             |       | 01H | Slave Address            |       | 01H |
| Function Code   |       | 10H | Function Code             |       | 10H | Function Code            |       | 90H |
| Starting No.    | Upper | 00H | Starting No.              | Upper | 00H | Error Code               |       | 02H |
|                 | Lower | 01H |                           | Lower | 01H | CRC-16                   | Upper | CDH |
| Data Quantity   | Upper | 00H | Data Quantity             | Upper | 00H |                          | Lower | C1H |
|                 | Lower | 02H |                           | Lower | 02H |                          |       |     |
| Number of Bytes |       | 04H | CRC-16                    | Upper | 10H |                          |       |     |
| Starting Data   | Upper | 00H |                           | Lower | 08H |                          |       |     |
|                 | Lower | 01H |                           |       |     |                          |       |     |
| Next Data       | Upper | 17H |                           |       |     |                          |       |     |
|                 | Lower | 70H |                           |       |     |                          |       |     |
| CRC-16          | Upper | 6DH |                           |       |     |                          |       |     |
|                 | Lower | 67H |                           |       |     |                          |       |     |

**Note:** For the number of bytes in the command message, take double the number of the data quantity.

## C.10 MEMOBUS/Modbus Data Table

Table below lists all MEMOBUS/Modbus data. There are three types of data: command data, monitor data, and broadcast data.

### ◆ Command Data

It is possible to both read and write command data.

**Note:** Bits that are not used should be set to 0. Refrain from writing to reserved registers.

| Register No. | Contents  |  |
|--------------|---|--|
| 0000H        | Reserved  |  |
| 0001H        | Operation Signals and Multi-function Inputs       |  |
|              | bit 0   | H5-12 = 0: Forward Run Command (0 = Stop, 1 = Forward Run)<br>H5-12 = 1: Run Command (0 = Stop, 1 = Run)   |
|              | bit 1   | H5-12 = 0: Reverse Run Command (0 = Stop, 1 = Reverse Run)<br>H5-12 = 1: Forward/Reverse (0 = Forward, 1 = Reverse)  |
|              | bit 2   | External Fault (EF0)   |
|              | bit 3   | Fault Reset  |
|              | bit 4   | Multi-Function Input 1<br>Function is ComRef when H1-01 = 40 (Forward/Stop).<br><b>Note:</b> When the bit at ComRef is turned on, commands from MEMOBUS/Modbus communications take control of the frequency. |
|              | bit 5   | Multi-Function Input 2<br>Function is ComCtrl when H1-02 = 41 (Reverse/Stop).  |
|              | bit 6   | Multi-Function Input 3   |
|              | bit 7   | Multi-Function Input 4   |
|              | bit 8   | Multi-Function Input 5   |
|              | bit 9 to F  | Reserved   |
| 0002H        | Frequency Reference                               | Units are determined by parameter H5-13 (MEMOBUS frequency reference and frequency monitor unit).  |
| 0003H-0006H  | Reserved  |  |
| 0007H        | Analog Output Terminal AM Setting (10 V / 4000 H) |  |
| 0008H        | Reserved  |  |
| 0009H        | Settings for Multi-Function Digital Outputs       |  |
|              | bit 0   | Contact Output (terminal MA-MB-MC)   |
|              | bit 1 to F  | Reserved   |
| 000AH-000EH  | Reserved  |  |
| 000FH        | Control Selection Setting                         |  |
|              | bit 0 to B  | Reserved   |
|              | bit C   | Terminal S5 input enabled (enabled when bit C of register 000FH switches ON)   |
|              | bit D to F  | Reserved   |

## ◆ Monitor Data

Monitor data can be read only.

| Register No.   | Contents                                |   |
|----------------|---|---|
| 0020H          | Drive Status 1                          |   |
|                | bit 0                                   | During Run  |
|                | bit 1                                   | During Reverse                                      |
|                | bit 2                                   | Drive Ready   |
|                | bit 3                                   | Fault   |
|                | bit 4                                   | Data Setting Error                                  |
|                | bit 5                                   | Multi-Function Contact Output (terminal MA/MB-MC)   |
|                | bit 6 to bit D                          | Reserved  |
|                | bit E                                   | When ComRef has been enabled                        |
| bit F          | When ComCtrl has been enabled           |   |
| 0021H          | Fault Contents 1                        |   |
|                | bit 0                                   | Overcurrent (oC)                                    |
|                | bit 1                                   | Overvoltage (ov)                                    |
|                | bit 2                                   | Drive Overload (oL2)                                |
|                | bit 3                                   | Overheat 1 (oH1)                                    |
|                | bit 4                                   | Braking Resistor Overheat (rH)                      |
|                | bit 5, 6                                | Reserved  |
|                | bit 7                                   | EF0 to 5: External Fault                            |
|                | bit 8                                   | CPF□□: Hardware Fault (includes oFx)                |
|                | bit 9                                   | Motor Overload (oL1), Overtorque Detection 1 (oL3)  |
|                | bit A                                   | Reserved  |
|                | bit B                                   | Main Circuit Undervoltage (Uv)                      |
|                | bit C                                   | Undervoltage (Uv1), Soft Charge Circuit Fault (Uv3) |
|                | bit D                                   | Output Phase Loss (LF), Input Phase Loss (PF)       |
| bit E          | MEMOBUS/Modbus Communication Error (CE) |   |
| bit F          | Operator Connection Fault (oPr)         |   |
| 0022H          | Data Link Status                        |   |
|                | bit 0                                   | Writing data or switching motors                    |
|                | bit 1                                   | Reserved  |
|                | bit 2                                   |   |
|                | bit 3                                   | Upper or lower limit error                          |
|                | bit 4                                   | Data conformity error                               |
|                | bit 5                                   | Writing to EEPROM                                   |
| bit 6 to bit F | Reserved                                |   |
| 0023H          | Frequency Reference, </>                |   |
| 0024H          | Output Frequency, </>                   |   |
| 0025H          | Output Voltage Reference, 0.1 V units   |   |
| 0026H          | Output Current                          |   |
| 0027H          | Reserved                                |   |
| 0028H          | Reserved                                |   |
| 0029H          | Fault Contents 2                        |   |
|                | bit 0, 1                                | Reserved  |
|                | bit 2                                   | Input Phase Loss (PF)                               |
|                | bit 3                                   | Output Phase Loss (LF)                              |
|                | bit 4                                   | Braking Resistor Overheat (rH)                      |
| bit 5 to bit F | Reserved                                |   |

## C.10 MEMOBUS/Modbus Data Table

| Register No.   | Contents   |   |
|----------------|--|---|
| 002AH          | Alarm Contents1  |   |
|                | bit 0 to bit 1   | Reserved  |
|                | bit 2  | Run Command Input Error (EF)                      |
|                | bit 3  | Drive Baseblock (bb)                              |
|                | bit 4  | Overtorque Detection 1 (oL3)                      |
|                | bit 5  | Heatsink Overheat (oH)                            |
|                | bit 6  | Overvoltage (ov)                                  |
|                | bit 7  | Undervoltage (Uv)                                 |
|                | bit 8  | Reserved  |
|                | bit 9  | MEMOBUS/Modbus Communication Error (CE)           |
|                | bit A to F   | Reserved  |
| 002BH          | Input Terminal Status                                  |   |
|                | bit 0  | Terminal S1 Closed                                |
|                | bit 1  | Terminal S2 Closed                                |
|                | bit 2  | Terminal S3 Closed                                |
|                | bit 3  | Terminal S4 Closed                                |
|                | bit 4  | Terminal S5 Closed                                |
|                | bit 5 to bit F   | Reserved  |
| 002CH          | Drive Status 2   |   |
|                | bit 0  | During Run  |
|                | bit 1  | Zero Speed  |
|                | bit 2  | Speed Agree                                       |
|                | bit 3  | User Speed Agree                                  |
|                | bit 4  | Frequency Detection 1                             |
|                | bit 5  | Frequency Detection 2                             |
|                | bit 6  | Drive Ready                                       |
|                | bit 7  | During Undervoltage                               |
|                | bit 8  | During Baseblock                                  |
|                | bit 9  | Frequency Reference from Operator Keypad          |
|                | bit A  | Run Command from Operator Keypad                  |
|                | bit B  | Overtorque  |
|                | bit C, D   | Reserved  |
|                | bit E  | Fault   |
| bit F          | Communication Timeout                                  |   |
| 002DH          | Output Terminal Status                                 |   |
|                | bit 0  | Multi-Function Contact Output (terminal MA/MB-MC) |
|                | bit 1 to bit F   | Reserved  |
| 002EH to 0030H | Reserved   |   |
| 0031H          | DC Bus Voltage, 1 Vdc units                            |   |
| 0032H to 0033H | Reserved   |   |
| 0034H          | Product Code 1 [ASCII],<br>Product Type (J0 for J1000) |   |
| 0035H to 003CH | Reserved   |   |

| Register No.   | Contents   |   |
|----------------|--|---|
| 003DH          | Communications Error Log <>  |   |
|                | bit 0  | CRC Error                                 |
|                | bit 1  | Data Length Error                         |
|                | bit 2  | Reserved                                  |
|                | bit 3  | Parity Error                              |
|                | bit 4  | Overflow Error                            |
|                | bit 5  | Framing Error                             |
|                | bit 6  | Timeout                                   |
| bit 7 to bit F | Reserved   |   |
| 003EH          | Reserved   |   |
| 003FH          | Output Frequency   | 0.01% units                               |
| 0040H to 007EH | Used for various monitors U1-□□. <i>Refer to U: Monitors on page 203</i> for parameter details.  |   |
| 007FH          | Alarm Code, <i>Refer to Alarm Register Contents on page 232</i> for alarm codes.   |   |
| 0080H to 0097H | Used for monitors U2-□□. <i>Refer to U: Monitors on page 203</i> for parameter details and <i>Refer to Fault History Contents on page 232</i> for register value descriptions. |   |
| 0098H, 0099H   | U4-01 (Cumulative Operation Time)<br>Example: When U4-01 (Cumulative Operation Time) is 12345 hours, then 0098H = 1234 and 0099H = 5.  |   |
| 009AH to 009BH | Reserved   |   |
| 00ABH          | Drive Rated Current  |   |
| 00ACH to 00B5H | Reserved   |   |
| 00B6H          | Frequency Reference After Soft-starter   | 0.01% units                               |
| 00B7H          | Reserved   |   |
| 00B8H          | Frequency Reference  | 0.01% units                               |
| 00B9H to 00BEH | Reserved   |   |
| 00BFH          | oPE Error Number   |   |
| 00C0H          | Fault contents 1   |   |
|                | bit 0  | Reserved                                  |
|                | bit 1  | Undervoltage (Uv1)                        |
|                | bit 2  | Reserved                                  |
|                | bit 3  | Soft Charge Circuit Fault (Uv3)           |
|                | bit 4, 5   | Reserved                                  |
|                | bit 6  | Overcurrent (oC)                          |
|                | bit 7  | Overvoltage (ov)                          |
|                | bit 8  | Reserved                                  |
|                | bit 9  | Heatsink Overheat (oH1)                   |
|                | bit A  | Motor Overload (oL1)                      |
|                | bit B  | Drive Overload (oL2)                      |
|                | bit C  | Overtorque Detection 1 (oL3)              |
|                | bit D, E   | Reserved                                  |
| bit F          | Braking Resistor Overheat (rH)   |   |
| 00C1H          | Fault contents 2   |   |
|                | bit 0  | External Fault at input terminal S3 (EF3) |
|                | bit 1  | External Fault at input terminal S4 (EF4) |
|                | bit 2  | External Fault at input terminal S5 (EF5) |
|                | bit 3 to 9   | Reserved                                  |
|                | bit A  | Input Phase Loss (PF)                     |
|                | bit B, C   | Reserved                                  |
|                | bit D  | Digital Operator Connection Fault (oPr)   |
| bit E          | EEPROM Write Error (Err)   |   |
| bit F          | Reserved   |   |

## C.10 MEMOBUS/Modbus Data Table

| Register No.   | Contents         |  |
|----------------|------------------|--|
| 00C2H          | Fault contents 3 |  |
|                | bit 0            | MEMOBUS/Modbus Communication Error (CE)  |
|                | bit 1 to 5       | Reserved   |
|                | bit 6            | External fault (EF0) is detected in RS-422/RS-485 Interface for MEMOBUS/Modbus Communication |
|                | bit 7 to E       | Reserved   |
|                | bit F            | Hardware fault (includes oFx)  |
| 00C3H          | Reserved         |  |
| 00C4H          | Fault contents 5 |  |
|                | bit 0            | Reserved   |
|                | bit 1            | External Fault 1, input terminal S1 (EF1)  |
|                | bit 2            | External Fault 2, input terminal S2 (EF2)  |
|                | bit 3, 4         | Reserved   |
|                | bit 5            | Current Offset Fault (CoF)   |
|                | bit 6 to F       | Reserved   |
| 00C5H to 00C7H | Reserved         |  |
| 00C8H          | Alarm contents 2 |  |
|                | bit 0            | Undervoltage (Uv)  |
|                | bit 1            | Overvoltage (ov)   |
|                | bit 2            | Heatsink Overheat (oH)   |
|                | bit 3            | Reserved   |
|                | bit 4            | Overtorque 1 (oL3)   |
|                | bit 5            | Reserved   |
|                | bit 6            | Run Commands Input Error (EF)  |
|                | bit 7            | Drive Baseblock (bb)   |
|                | bit 8            | External Fault 3, input terminal S3 (EF3)  |
|                | bit 9            | External Fault 4, input terminal S4 (EF4)  |
|                | bit A            | External Fault 5, input terminal S5 (EF5)  |
|                | bit B to F       | Reserved   |
| 00C9H          | Alarm contents 3 |  |
|                | bit 0, 1         | Reserved   |
|                | bit 2            | Digital Operator Connection Fault (oPr)  |
|                | bit 3            | MEMOBUS/Modbus Communication Error (CE)  |
|                | bit 4            | Reserved   |
|                | bit 5            | Serial Communication Transmission Error (CALL)   |
|                | bit 6            | Motor Overload (oL1)   |
|                | bit 7            | Drive Overload (oL2)   |
|                | bit 8 to F       | Reserved   |
| 00CBH          | Alarm contents 5 |  |
|                | bit 0 to 7       | Reserved   |
|                | bit 8            | External Fault 1 (input terminal S1) (EF1)   |
|                | bit 9            | External Fault 2 (input terminal S2) (EF2)   |
|                | bit A to F       | Reserved   |
| 00CCH-00CFH    | Reserved         |  |

| Register No.   | Contents       |  |
|----------------|----------------|--|
| 00D0H          | CPF Contents 1 |  |
|                | bit 0, 1       | Reserved                                   |
|                | bit 2          | A/D Conversion Error (CPF02)               |
|                | bit 3 to 5     | Reserved                                   |
|                | bit 6          | EEPROM data fault (CPF06)                  |
|                | bit 7          | Reserved                                   |
|                | bit 8          | EEPROM Serial Communications Fault (CPF08) |
|                | bit 9 to A     | Reserved                                   |
|                | bit B          | RAM Fault (CPF11)                          |
|                | bit C          | FLASH Memory Fault (CPF12)                 |
|                | bit D          | Reserved                                   |
|                | bit E          | Control Circuit Fault (CPF14)              |
| bit F          | Reserved       |  |
| 00D1H          | CPF Contents 2 |  |
|                | bit 0          | Reserved                                   |
|                | bit 1          | Timing Fault (CPF17)                       |
|                | bit 2          | Control Circuit Fault (CPF18)              |
|                | bit 3 to 5     | Reserved                                   |
|                | bit 6          | A/D Conversion Fault (CPF22)               |
|                | bit 7          | PWM Feedback Fault (CPF23)                 |
|                | bit 8          | Drive capacity signal fault (CPF24)        |
|                | bit 9 to F     | Reserved                                   |
| 00D2H to 00FBH | Reserved       |  |

<1> Units are determined by parameter H5-13.

<2> The communication error log is stored until the fault is reset.

### ◆ Broadcast Messages

Data can be written from the master to all slave devices at the same time.

The slave address in a broadcast command message must be set to 00H. All slaves will receive the message, but will not respond.

| Register No. | Contents              |  |
|--------------|-----------------------|--|
| 0001H        | Digital Input Command |  |
|              | bit 0                 | Forward Run (0: Stop 1: Run)   |
|              | bit 1                 | Direction Command (0: Forward, 1: Reverse)                                   |
|              | bit 2, 3              | Reserved   |
|              | bit 4                 | External Fault   |
|              | bit 5                 | Fault Reset  |
|              | bit 6 to B            | Reserved   |
|              | bit C                 | Multi-Function Digital Input S5 (enabled when bit C of register 000FH is ON) |
|              | bit D to F            | Reserved   |
| 0002H        | Frequency Reference   | 30000/100%   |

### ◆ Fault History Contents

The table below shows the fault codes that can be read out by MEMOBUS/Modbus commands from the U2-□□ monitor parameters.

**Note:** Uv1 fault is not saved to the fault history.

**Table C.4 Fault History Register Contents**

| Fault Code | Fault Name                                | Fault Code | Fault Name  |
|------------|---|------------|---|
| 0002H      | Undervoltage (Uv1)                        | 0042H      | External Fault 1, input terminal S1 (EF1)   |
| 0004H      | Soft Charge Circuit Fault (Uv3)           | 0043H      | External Fault 2, input terminal S2 (EF2)   |
| 0007H      | Overcurrent (oC)                          | 0046H      | Current Offset Fault (CoF)  |
| 0008H      | Overvoltage (ov)                          | 0083H      | A/D Conversion Error (CPF02)  |
| 000AH      | Heatsink Overheat (oH1)                   | 0087H      | Drive specification mismatch during Terminal Board or Control Board replacement (CPF06) |
| 000BH      | Motor Overload (oL1)                      | 0089H      | EEPROM Serial Communication Fault (CPF08)   |
| 000CH      | Drive Overload (oL2)                      | 008CH      | RAM fault (CPF11)   |
| 000DH      | Overtorque Detection 1 (oL3)              | 008DH      | Flash memory circuit exception (CPF12)  |
| 0010H      | Braking Resistor Overheat (rH)            | 008FH      | Control Circuit Fault (CPF14)   |
| 0011H      | External Fault at input terminal S3 (EF3) | 0092H      | Timing Fault (CPF17)  |
| 0012H      | External Fault at input terminal S4 (EF4) | 0093H      | Control Circuit Fault (CPF18)   |
| 0013H      | External Fault at input terminal S5 (EF5) | 0095H      | Hardware fault at power up (CPF20)  |
| 001BH      | Input Phase Loss (PF)                     | 0096H      | Hardware fault at communication start up (CPF21)  |
| 001CH      | Output Phase Loss (LF)                    | 0097H      | A/D Conversion Fault (CPF22)  |
| 001EH      | Digital Operator Connection (oPr)         | 0098H      | PWM Feedback Fault (CPF23)  |
| 001FH      | EEPROM Write Error (Err)                  | 0099H      | Drive capacity signal fault (CPF24)   |
| 0021H      | MEMOBUS/Modbus Communication Error (CE)   | 0101H      | Option compatibility error (oFA00)  |
| 0027H      | PROFIBUS-DP Option External Fault (EF0)   |            |   |

### ◆ Alarm Register Contents

The table below shows the alarm codes that can be read out from MEMOBUS/Modbus register 007FH.

**Table C.5 Alarm Register 007FH Contents**

| Alarm Code | Fault Name                                | Alarm Code | Fault Name                                |
|------------|---|------------|---|
| 0001H      | Undervoltage (Uv)                         | 000BH      | External Fault 5, input terminal S5 (EF5) |
| 0002H      | Overvoltage (ov)                          | 0014H      | MEMOBUS/Modbus Communication Error (CE)   |
| 0003H      | Heatsink Overheat (oH)                    | 0017H      | Motor Overload (oL1)                      |
| 0005H      | Overtorque 1 (oL3)                        | 0018H      | Drive Overload (oL2)                      |
| 0007H      | Run commands input error (EF)             | 0020H      | MEMOBUS/Modbus Test Mode Fault (SE)       |
| 0008H      | Drive Baseblock (bb)                      | 0039H      | External Fault (input terminal S1) (EF1)  |
| 0009H      | External Fault 3, input terminal S3 (EF3) | 003AH      | External Fault (input terminal S2) (EF2)  |
| 000AH      | External Fault 4, input terminal S4 (EF4) |            |   |



## C.11 Changing Drive Parameters

This section describes how the drive handles parameter changes by MEMOBUS/Modbus.

### ◆ Drive Operations on Parameter Change

When drive parameters are changed by MEMOBUS/Modbus communication, the drive performs the following operations:

- The upper/lower limit of the parameter changed is checked. If the new value is out of range, the old value remains active.
- Parameter settings are refreshed in the RAM, i.e., the parameter change is activated immediately.
- The default settings of related parameters are changed.
- If multiple registers are written and only one data is invalid, all data sent are discarded.

If no Enter command is sent, parameter changes will be lost if the power is switched off.

### ◆ Issuing an Enter Command

If parameters are changed from a PLC using MEMOBUS/Modbus communication the values are changed in the drive RAM only. When the power is turned off all changes will be lost. An Enter command can be sent to save changes in the EEPROM (non-volatile memory) and thereby prevent the loss of parameter settings. In order to perform an Enter command "0" must be written in register number 900H. This register is "write only".

**Table C.6 Enter Command**

| Register No. | Description   |
|--------------|---|
| 0900H        | Writes data into the EEPROM (non-volatile memory). Parameter changes remain even if the power supply is cycled. |

- Note:**
1. Because the EEPROM can be written to a maximum of 100,000 times, refrain from writing to the EEPROM too often. The Enter command registers are write-only. Consequently, if these registers are read, then the register address will be invalid (Error code: 02H). An Enter command is not required if reference or broadcast data are sent to the drive.
  2. Parameter data cannot be written to EEPROM during undervoltage, even using 0900H.
  3. If undervoltage occurs when making several parameter changes issued with a single ENTER command, the writing process may be aborted before all of the new changes have been written. Because all of the data has not yet been written, the EEPROM data error "CPF06" will be displayed the next time power to the drive is cycled. To prevent this problem, wait approximately 5 seconds after issuing the ENTER command before shutting off drive power.

## C.12 Communication Errors

### ◆ MEMOBUS/Modbus Error Codes

A list of MEMOBUS/Modbus errors appears below.

When an error occurs, remove whatever caused the error and restart communications.

| Error Code | Error Name  |
|------------|---|
|            | Cause   |
| 01H        | Function Code Error   |
|            | <ul style="list-style-type: none"> <li>Attempted to set a function code from a PLC other than 03H, 08H, and 10H.</li> </ul>   |
| 02H        | Register Number Error   |
|            | <ul style="list-style-type: none"> <li>A register number specified in the command message does not exist.</li> <li>Attempted to send a broadcast message using other register numbers than 0001H or 0002H.</li> </ul>   |
| 03H        | Bit Count Error   |
|            | <ul style="list-style-type: none"> <li>Read data or write data is greater than 16 bits. Invalid command message quantity.</li> <li>In a write message, the “Number of Data Items” contained within the message does not equal twice the amount of data words (i.e., the total of Data 1+ Data 2, etc.).</li> </ul>                          |
| 21H        | Data Setting Error  |
|            | <ul style="list-style-type: none"> <li>Control data or parameter write data is outside the allowable setting range.</li> <li>Attempted to write a contradictory parameter setting.</li> </ul>   |
| 22H        | Write Mode Error  |
|            | <ul style="list-style-type: none"> <li>Attempted to write while the drive was operating to a parameter that cannot be written to during run.</li> <li>During an EEPROM data error (CPF06), the master attempted to write to a parameter other than A1-00 to -05, E1-03, or o2-04.</li> <li>Attempted to write to read-only data.</li> </ul> |
| 23H        | DC Bus Undervoltage Write Error   |
|            | <ul style="list-style-type: none"> <li>Attempted to write from the master during an undervoltage fault (Uv1).</li> <li>Attempted to execute and Enter command during Uv1.</li> </ul>  |
| 24H        | Write Error During Parameter Process  |
|            | <ul style="list-style-type: none"> <li>Master attempted writing to the drive while the drive was processing parameter data.</li> </ul>  |

### ◆ Slave Not Responding

In the following situations, the slave drive will ignore the command message sent from the master, and not send a response message:

- When a communications error (overrun, framing, parity or CRC-16) is detected in the command message.
- When the slave address in the command message and the slave address in the drive do not match (remember to set the slave address for the drive using H5-01).
- When the gap between two blocks (8 bit) of a message exceeds 24 bits.
- When the command message data length is invalid.

**Note:** If the slave address specified in the command message is 00H, all slaves execute the write function, but do not return response messages to the master.

## C.13 Self-Diagnostics

The drive has a built-in self-diagnosing function of the serial communication interface circuits. To perform the self-diagnosis function, use the following procedure.

**DANGER! Electrical Shock Hazard.** Do not connect or disconnect wiring while the power is on. Failure to comply will result in death or serious injury. Before servicing, disconnect all power to the equipment. The internal capacitor remains charged even after the power supply is turned off. The charge indicator LED will extinguish when the DC bus voltage is below 50 Vdc. To prevent electric shock, wait at least one minute after all indicators are OFF and measure the DC bus voltage level to confirm safe level.

1. Turn on the power to the drive.
2. Note the present terminal S5 function selection setting (H1-05) and set it for the communications test mode (H1-05 = 67).
3. Turn off the power to the drive.
4. With the power off, wire the drive as shown in the figures below.
5. Check and note the setting of DIP switch S3. Set it to NPN if it is in the PNP position.
6. Attach the SI-485/J option to the drive. Wire R+ and S+, R- and S-.

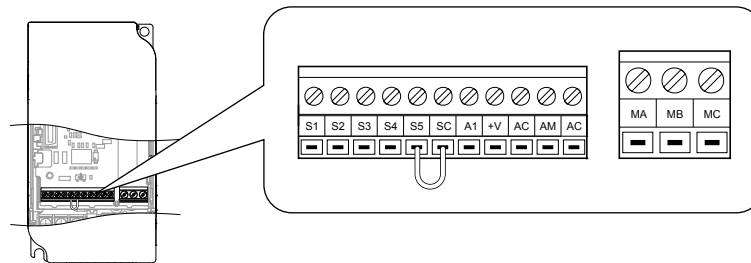


Figure C.9 Terminal Connections for Communication Self-Diagnostics

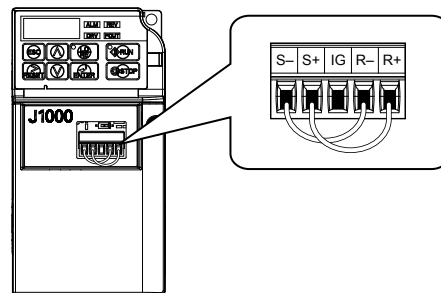


Figure C.10 Terminal Connections for Communication Self-Diagnostics

7. Turn on the drive.
8. During normal operation, the drive will display PASS. This indicates that the communications test mode is operating normally.  
When a fault occurs, the drive will display "CE" on the keypad display.
9. Turn off the power supply.
10. Remove the wire jumpers from terminal R+, R-, S+, S- and, S5-SC and set back DIP switch S3 to its original position. Set terminal S5 to its original function.
11. Return to normal operation.

**This Page Intentionally Blank**

# Appendix: D

## Standards Compliance

---

This appendix explains the guidelines and criteria for maintaining CE and UL standards.

|            |                                |            |
|------------|--------------------------------|------------|
| <b>D.1</b> | <b>SECTION SAFETY.....</b>     | <b>238</b> |
| <b>D.2</b> | <b>EUROPEAN STANDARDS.....</b> | <b>240</b> |
| <b>D.3</b> | <b>UL STANDARDS.....</b>       | <b>247</b> |

## D.1 Section Safety

### DANGER

#### Electrical Shock Hazard

**Do not connect or disconnect wiring while the power is on.**

Failure to comply will result in death or serious injury.

### WARNING

#### Electrical Shock Hazard

**Do not operate equipment with covers removed.**

Failure to comply could result in death or serious injury.

The diagrams in this section may show drives without covers or safety shields to show details. Be sure to reinstall covers or shields before operating the drives and run the drives according to the instructions described in this manual.

**Always ground the motor-side grounding terminal.**

Improper equipment grounding could result in death or serious injury by contacting the motor case.

**Do not touch any terminals before the capacitors have fully discharged.**

Failure to comply could result in death or serious injury.

Before wiring terminals, disconnect all power to the equipment. The internal capacitor remains charged even after the power supply is turned off. The charge indicator LED will extinguish when the DC bus voltage is below 50 Vdc. To prevent electric shock, wait at least one minute after all indicators are off and measure the DC bus voltage level to confirm safe level.

**Do not allow unqualified personnel to perform work on the drive.**

Failure to comply could result in death or serious injury.

Installation, maintenance, inspection, and servicing must be performed only by authorized personnel familiar with installation, adjustment and maintenance of AC drives.

**Do not perform work on the drive while wearing loose clothing, jewelry or without eye protection.**

Failure to comply could result in death or serious injury.

Remove all metal objects such as watches and rings, secure loose clothing, and wear eye protection before beginning work on the drive.

**Do not remove covers or touch circuit boards while the power is on.**

Failure to comply could result in death or serious injury.

#### Fire Hazard

**Tighten all terminal screws to the specified tightening torque.**

Loose electrical connections could result in death or serious injury by fire due to overheating of electrical connections.

**Do not use an improper voltage source.**

Failure to comply could result in death or serious injury by fire.

Verify that the rated voltage of the drive matches the voltage of the incoming power supply before applying power.

**Do not use improper combustible materials.**

Failure to comply could result in death or serious injury by fire.

Attach the drive to metal or other noncombustible material.

**Install adequate branch circuit protection according to applicable local codes and this manual.**

Failure to comply could result in fire and damage to the drive or injury to personnel. The device is suitable for use on a circuit capable of delivering not more than 31,000 RMS symmetrical amperes, 240 Vac maximum (200 V class) and 480 Vac maximum (400 V class) when protected by branch circuit protection devices specified in this manual.

**NOTICE**

**Observe proper electrostatic discharge procedures (ESD) when handling the drive and circuit boards.**

Failure to comply may result in ESD damage to the drive circuitry.

**Never connect or disconnect the motor from the drive while the drive is outputting voltage.**

Improper equipment sequencing could result in damage to the drive.

**Do not use unshielded cable for control wiring.**

Failure to comply may cause electrical interference resulting in poor system performance. Use shielded twisted-pair wires and ground the shield to the ground terminal of the drive.

**Do not allow unqualified personnel to use the product.**

Failure to comply could result in damage to the drive or braking circuit.

Carefully review instruction manual TOBPC72060000 when connecting a braking option to the drive.

**Do not modify the drive circuitry.**

Failure to comply could result in damage to the drive and will void warranty.

Yaskawa is not responsible for modification of the product made by the user. This product must not be modified.

**Check all the wiring to ensure that all connections are correct after installing the drive and connecting other devices.**

Failure to comply could result in damage to the drive.

## D.2 European Standards



Figure D.1 CE Mark

The CE mark indicates compliance with European safety and environmental regulations and is required for engaging in business and commerce in Europe.

European standards include the Machinery Directive for machine manufacturers, the Low Voltage Directive for electronics manufacturers and the EMC guidelines for controlling noise.

This drive displays the CE mark based on the EMC guidelines and the Low Voltage Directive.

- **EMC Guidelines:** 2004/108/EC
- **Low Voltage Directive:** 2006/95/EC

### ◆ CE Low Voltage Directive Compliance

This drive has been tested according to IEC/EN 61800-5-1, and it fully complies with the Low Voltage Directive.

To comply with the Low Voltage Directive, be sure to meet the following conditions when combining this drive with other devices:

#### ■ Area of Use

Do not use drives in areas with pollution higher than severity 2 and overvoltage category 3 in accordance with IEC/EN 664.

#### ■ Factory Recommended Branch Circuit Protection

Yaskawa recommends installing one of the following types of branch circuit protection to maintain compliance with UL508C. Semiconductor protective type fuses are preferred. Alternate branch circuit protection devices are also listed in [Table D.1](#).

**NOTICE:** If a fuse is blown or a Ground Fault Circuit Interrupter (GFCI) is tripped, check the wiring and the selection of peripheral devices to identify the cause. Contact Yaskawa before restarting the drive or the peripheral devices if the cause cannot be identified.

Table D.1 Factory Recommended Drive Branch Circuit Protection

| Drive Model                     | Fuse Type              |                        |
|---------------------------------|------------------------|------------------------|
|                                 | Manufacturer: Bussmann |                        |
|                                 | Model                  | Fuse Ampere Rating (A) |
| <b>Single-Phase 200 V Class</b> |                        |                        |
| BA0001                          | FWH-25A14F             | 25                     |
| BA0002                          | FWH-25A14F             | 25                     |
| BA0003                          | FWH-60B                | 60                     |
| BA0006                          | FWH-80B                | 80                     |
| BA0010                          | FWH-100B               | 100                    |
| <b>Three-Phase 200 V Class</b>  |                        |                        |
| 2A0001                          | FWH-25A14F             | 25                     |
| 2A0002                          | FWH-25A14F             | 25                     |
| 2A0004                          | FWH-25A14F             | 25                     |
| 2A0006                          | FWH-25A14F             | 25                     |
| 2A0010                          | FWH-70B                | 70                     |
| 2A0012                          | FWH-70B                | 70                     |
| 2A0020                          | FWH-90B                | 90                     |
| <b>Three-Phase 400 V Class</b>  |                        |                        |
| 4A0001                          | FWH-40B                | 40                     |
| 4A0002                          | FWH-40B                | 40                     |
| 4A0004                          | FWH-50B                | 50                     |



| Drive Model | Fuse Type              |                        |
|-------------|------------------------|------------------------|
|             | Manufacturer: Bussmann |                        |
|             | Model                  | Fuse Ampere Rating (A) |
| 4A0005      | FWH-70B                | 70                     |
| 4A0007      | FWH-70B                | 70                     |
| 4A0009      | FWH-90B                | 90                     |
| 4A0011      | FWH-90B                | 90                     |

■ **Grounding**

The drive is designed to be used in T-N (grounded neutral point) networks. If installing the drive in other types of grounded systems, contact your dealer or Yaskawa for instructions.

■ **CE Standards Compliance for DC Power Supply Input**

Install the fuses in the following tables to meet CE standards.

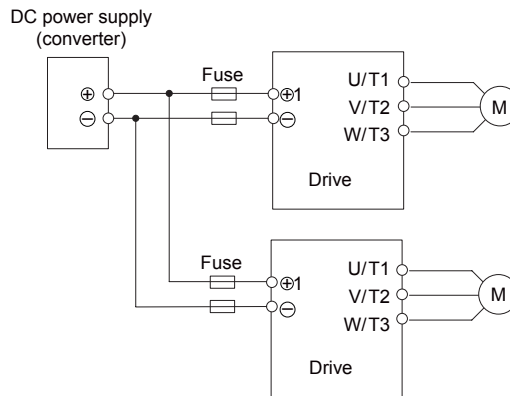


Figure D.2 Example of DC Power Supply Input (Two Drives Connected in Series)

- Note:**
1. When connecting multiple drives together, make sure that each drive has its own fuse. Replace all fuses when one fuse blows.
  2. Refer to [on page 34](#) for an AC power supply.
  3. The recommended fuses and fuse holders are made by Fuji Electric.

Table D.2 Single-Phase 200 V Class Fuses and Fuse Holders

| Drive Model | DC Power Supply Input       |  |      |             |      |
|-------------|-----------------------------|--|------|-------------|------|
|             | Fuse                        |  |      | Fuse Holder |      |
|             | Manufacturer: Fuji Electric |  |      |             |      |
|             | Type                        | Rated Short Circuit Braking Current (kA) | Qty. | Type        | Qty. |
| BA0001      | CR6L-20/UL                  | 100                                      | 2    | CMS-4       | 2    |
| BA0002      | CR6L-30/UL                  |  |      | CMS-4       |      |
| BA0003      | CR6L-50/UL                  |  |      | CMS-4       |      |
| BA0006      | CR6L-75/UL                  |  |      | CMS-5       |      |
| BA0010      | CR6L-100/UL                 |  |      | CMS-5       |      |

## D.2 European Standards

Table D.3 Three-Phase 200 V Class Fuses and Fuse Holders

| Drive Model | DC Power Supply Input       |  |      |             |      |
|-------------|-----------------------------|--|------|-------------|------|
|             | Fuse                        |  |      | Fuse Holder |      |
|             | Manufacturer: Fuji Electric |  |      |             |      |
|             | Type                        | Rated Short Circuit Braking Current (kA) | Qty. | Type        | Qty. |
| 2A0001      | CR6L-20/UL                  | 100                                      | 2    | CMS-4       | 2    |
| 2A0002      | CR6L-20/UL                  |  |      | CMS-4       |      |
| 2A0004      | CR6L-20/UL                  |  |      | CMS-4       |      |
| 2A0006      | CR6L-30/UL                  |  |      | CMS-4       |      |
| 2A0010      | CR6L-50/UL                  |  |      | CMS-4       |      |
| 2A0012      | CR6L-50/UL                  |  |      | CMS-4       |      |
| 2A0020      | CR6L-75/UL                  |  |      | CMS-5       |      |

Table D.4 Three-Phase 400 V Class Fuses and Fuse Holders

| Drive Model | DC Power Supply Input       |  |      |             |      |
|-------------|-----------------------------|--|------|-------------|------|
|             | Fuse                        |  |      | Fuse Holder |      |
|             | Manufacturer: Fuji Electric |  |      |             |      |
|             | Type                        | Rated Short Circuit Braking Current (kA) | Qty. | Type        | Qty. |
| 4A0001      | CR6L-20/UL                  | 100                                      | 2    | CMS-4       | 2    |
| 4A0002      | CR6L-20/UL                  |  |      | CMS-4       |      |
| 4A0004      | CR6L-50/UL                  |  |      | CMS-4       |      |
| 4A0005      | CR6L-50/UL                  |  |      | CMS-4       |      |
| 4A0007      | CR6L-50/UL                  |  |      | CMS-4       |      |
| 4A0009      | CR6L-50/UL                  |  |      | CMS-4       |      |
| 4A0011      | CR6L-50/UL                  |  |      | CMS-4       |      |

### ■ Guarding Against Harmful Materials

When installing IP20/Open-Chassis enclosure drives, use an enclosure that prevents foreign material from entering the drive from above or below.

### ◆ EMC Guidelines Compliance

This drive is tested according to EN 61800-3:2004/A1:2012 and it complies with the EMC guidelines.

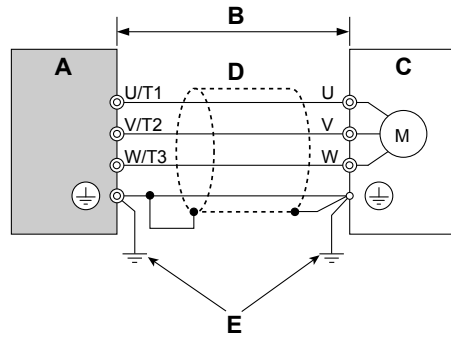
### ■ EMC Filter Installation

The following conditions must be met to ensure continued compliance with guidelines. [Refer to EMC Filters on page 245](#) for EMC filter selection.

#### Installation Method

Verify the following installation conditions to ensure that other devices and machinery used in combination with this drive also comply with EMC guidelines.

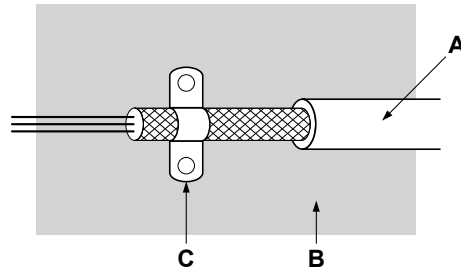
1. Install an EMC noise filter to the input side specified by Yaskawa for compliance with European standards.
2. Place the drive and EMC noise filter in the same enclosure.
3. Use braided shield cable for the drive and motor wiring or run the wiring through a metal conduit.
4. Keep wiring as short as possible. Ground the shield on both the drive side and the motor side.



- A – Drive
- B – 20 m max cable length between drive and motor
- C – Motor
- D – Metal conduit
- E – Ground wire should be as short as possible.

Figure D.3 Installation Method

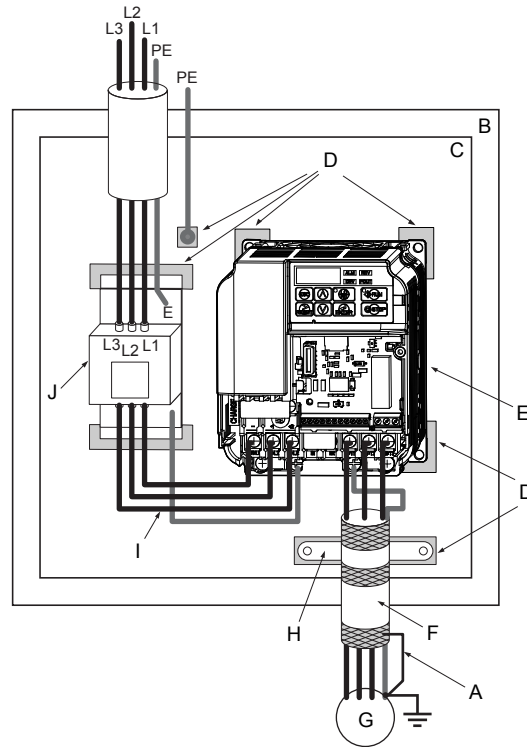
5. Ground the largest possible surface area of the shield to the metal conduit when using braided shield cable. Yaskawa recommends using a cable clamp.



- A – Braided shield cable
- B – Metal panel
- C – Cable clamp (conductive)

Figure D.4 Ground Area

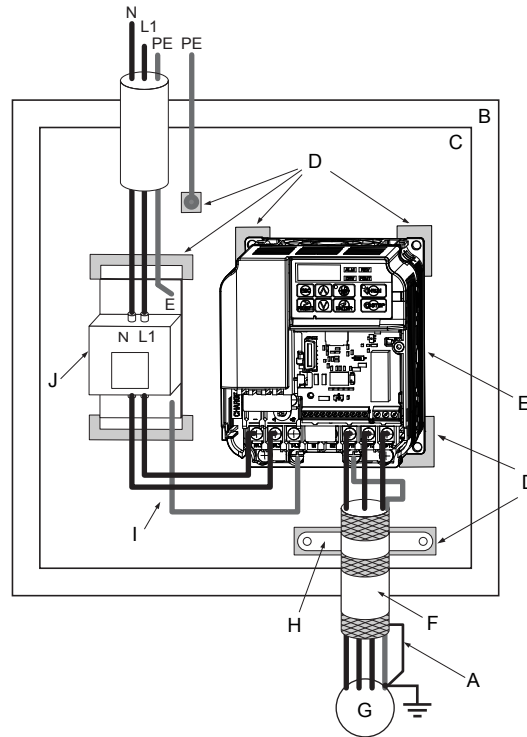
### Three-Phase 200 V / 400 V Class



- |  |  |
|--|--|
| <b>A</b> – Ground the cable shield                         | <b>F</b> – Motor cable (braided shield cable, max. 20 m) |
| <b>B</b> – Enclosure panel                                 | <b>G</b> – Motor   |
| <b>C</b> – Metal plate                                     | <b>H</b> – Cable clamp                                   |
| <b>D</b> – Grounding surface (remove any paint or sealant) | <b>I</b> – Wiring distance as short as possible          |
| <b>E</b> – Drive   | <b>J</b> – EMC noise filter                              |

Figure D.5 EMC Filter and Drive Installation for CE Compliance  
(Three-Phase 200 V / 400 V Class)

Single-Phase 200 V Class



- A – Ground the cable shield
- B – Enclosure panel
- C – Metal plate
- D – Grounding surface (remove any paint or sealant)
- E – Drive
- F – Motor cable (braided shield cable, max. 20 m)
- G – Motor
- H – Cable clamp
- I – Wiring distance as short as possible
- J – EMC noise filter

Figure D.6 EMC Filter and Drive Installation for CE Compliance (Single-Phase 200 V Class)

■ EMC Filters

Install the drive with the EMC filters listed below to comply with the EN 61800-3:2004/A1:2012, category C1 requirements.

Table D.5 EN 61800-3:2004/A1:2012 Category C1 Filters

| Drive Model                     | Filter Data (Manufacturer: Schaffner) |                   |             |                             |                                  |                        |                       |
|---------------------------------|---------------------------------------|-------------------|-------------|-----------------------------|----------------------------------|------------------------|-----------------------|
|                                 | Type                                  | Rated Current (A) | Weight (lb) | Dimensions [W x L x H] (in) | Mounting Dimensions [Y x X] (mm) | Drive Mounting Screw A | Filter Mounting Screw |
| <b>200 V Single-Phase Units</b> |                                       |                   |             |                             |                                  |                        |                       |
| BA0001                          | FS23638-10-07                         | 10                | 0.97        | 2.8 x 6.7 x 1.8             | 2.0 x 6.1                        | M4                     | M5                    |
| BA0002                          | FS23638-10-07                         | 10                | 0.97        | 2.8 x 6.7 x 1.8             | 2.0 x 6.1                        | M4                     | M5                    |
| BA0003                          | FS23638-10-07                         | 10                | 0.97        | 2.8 x 6.7 x 1.8             | 2.0 x 6.1                        | M4                     | M5                    |
| BA0006                          | FS23638-20-07                         | 20                | 1.65        | 4.4 x 6.7 x 2.0             | 3.6 x 6.1                        | M4                     | M5                    |
| BA0010                          | FS23638-20-07                         | 20                | 1.65        | 4.4 x 6.7 x 2.0             | 3.6 x 6.1                        | M4                     | M5                    |
| <b>200 V Three-Phase Units</b>  |                                       |                   |             |                             |                                  |                        |                       |
| 2A0001                          | FS23637-8-07                          | 7.3               | 0.88        | 2.8 x 6.7 x 1.6             | 2.0 x 6.1                        | M4                     | M5                    |
| 2A0002                          | FS23637-8-07                          | 7.3               | 0.88        | 2.8 x 6.7 x 1.6             | 2.0 x 6.1                        | M4                     | M5                    |
| 2A0004                          | FS23637-8-07                          | 7.3               | 0.88        | 2.8 x 6.7 x 1.6             | 2.0 x 6.1                        | M4                     | M5                    |
| 2A0006                          | FS23637-8-07                          | 7.3               | 0.88        | 2.8 x 6.7 x 1.6             | 2.0 x 6.1                        | M4                     | M5                    |
| 2A0010                          | FS23637-14-07                         | 14                | 1.28        | 4.4 x 6.7 x 1.8             | 3.6 x 6.1                        | M4                     | M5                    |
| 2A0012                          | FS23637-14-07                         | 14                | 1.28        | 4.4 x 6.7 x 1.8             | 3.6 x 6.1                        | M4                     | M5                    |
| 2A0020                          | FS23637-24-07                         | 24                | 1.98        | 5.7 x 6.9 x 2.0             | 4.7 x 6.1                        | M4                     | M5                    |

## D.2 European Standards

| Drive Model                    | Filter Data (Manufacturer: Schaffner) |                   |             |                             |                                  |                        |                       |
|--------------------------------|---------------------------------------|-------------------|-------------|-----------------------------|----------------------------------|------------------------|-----------------------|
|                                | Type                                  | Rated Current (A) | Weight (lb) | Dimensions [W x L x H] (in) | Mounting Dimensions [Y x X] (mm) | Drive Mounting Screw A | Filter Mounting Screw |
| <b>400 V Three-Phase Units</b> |                                       |                   |             |                             |                                  |                        |                       |
| 4A0001                         | FS23639-5-07                          | 5                 | 1.10        | 4.4 x 6.7 x 1.8             | 3.6 x 6.1                        | M4                     | M5                    |
| 4A0002                         | FS23639-5-07                          | 5                 | 1.10        | 4.4 x 6.7 x 1.8             | 3.6 x 6.1                        | M4                     | M5                    |
| 4A0004                         | FS23639-5-07                          | 5                 | 1.10        | 4.4 x 6.7 x 1.8             | 3.6 x 6.1                        | M4                     | M5                    |
| 4A0005                         | FS23639-10-07                         | 10                | 1.54        | 4.4 x 6.7 x 1.8             | 3.6 x 6.1                        | M4                     | M5                    |
| 4A0007                         | FS23639-10-07                         | 10                | 1.54        | 4.4 x 6.7 x 1.8             | 3.6 x 6.1                        | M4                     | M5                    |
| 4A0009                         | FS23639-10-07                         | 10                | 1.54        | 4.4 x 6.7 x 1.8             | 3.6 x 6.1                        | M4                     | M5                    |
| 4A0011                         | FS23639-15-07                         | 15                | 1.98        | 5.7 x 6.9 x 2.0             | 4.7 x 6.3                        | M4                     | M5                    |

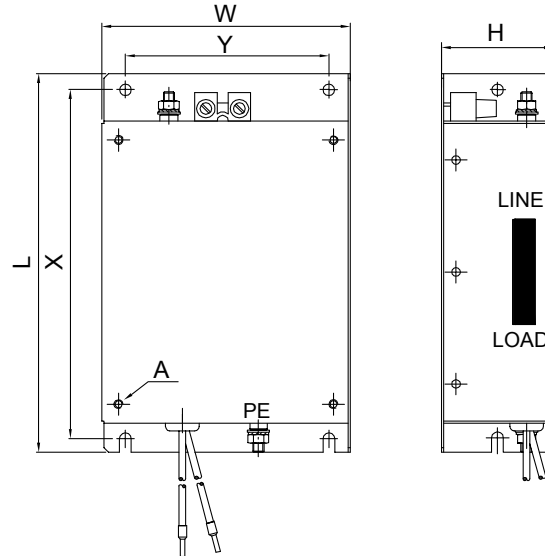


Figure D.7 EMC Filter Dimensions

### ■ DC Link Chokes for IEC/EN 61000-3-2 Compliance

Table D.6 DC Link Chokes for Harmonics Reduction

| Drive Model                    | DC Link Choke |                |
|--------------------------------|---------------|----------------|
|                                | Model         | Rating         |
| <b>200V Three-Phase Units</b>  |               |                |
| 2A0004                         | UZDA-B        | 5.4 A<br>8 mH  |
| 2A0006                         |               |                |
| <b>400 V Three-Phase Units</b> |               |                |
| 4A0002                         | UZDA-B        | 3.2 A<br>28 mH |
| 4A0004                         |               |                |

**Note:** Models not listed in the above table do not require a DC link choke for EMC compliance.

## D.3 UL Standards

### ◆ UL Standards Compliance

The UL/cUL mark applies to products in the United States and Canada indicates that UL has performed product testing and evaluation and determined that their stringent standards for product safety have been met. For a product to receive UL certification, all components inside that product must also receive UL certification.



Figure D.8 UL/cUL Mark

This drive is tested in accordance with UL standard UL508C, E131457 and complies with UL requirements. The following conditions must be met to maintain compliance when using this drive in combination with other equipment:

#### ■ Installation Area

Do not install the drive to an area greater than pollution severity 2 (UL standard).

#### ■ Ambient Temperature

IP20/NEMA Type 1 enclosure: -10 °C to +40 °C (14 °F to 104 °F)

IP20/IP00 Open-Chassis enclosure: -10 °C to +50 °C (14 °F to 122 °F)

Finless Type: IP20 enclosure: -10 °C to +50 °C (14 °F to 122 °F)

#### ■ Main Circuit Terminal Wiring

Yaskawa recommends using closed-loop crimp terminals on all drive models. UL/cUL approval requires the use of UL Listed closed-loop crimp terminals when wiring the drive main circuit terminals. Use only the tools recommended by the terminal manufacturer for crimping. The wire gauges listed in [Table D.7](#), [Table D.8](#), and [Table D.9](#) are Yaskawa recommendations. Refer to local codes for proper wire gauge selections.

Table D.7 Wire Gauge and Torque Specifications

| Drive Model                | Terminal         | Recomm. Gauge AWG, kcmil | Wire Range AWG, kcmil | Screw Size | Tightening Torque N•m (lb.in.) |
|----------------------------|------------------|--------------------------|-----------------------|------------|--------------------------------|
| BA0001<br>BA0002<br>BA0003 | R/L1, S/L2, T/L3 | 14                       | 18 to 14              | M3.5       | 0.8 to 1.0<br>(7.1 to 8.9)     |
|                            | U/T1, V/T2, W/T3 | 14                       | 18 to 14              |            |                                |
|                            | ⊖, ⊕1, ⊕2        | –                        | 18 to 14              |            |                                |
|                            | B1, B2           | –                        | 18 to 14              |            |                                |
|                            | ⊕                | 14                       | 18 to 14              |            |                                |
| BA0006                     | R/L1, S/L2, T/L3 | 12                       | 14 to 10              | M4         | 1.2 to 1.5<br>(10.6 to 13.3)   |
|                            | U/T1, V/T2, W/T3 | 14                       | 14 to 10              |            |                                |
|                            | ⊖, ⊕1, ⊕2        | –                        | 14 to 10              |            |                                |
|                            | B1, B2           | –                        | 14 to 10              |            |                                |
|                            | ⊕                | 10                       | 14 to 10              |            |                                |
| BA0010                     | R/L1, S/L2, T/L3 | 10                       | 14 to 10              | M4         | 1.2 to 1.5<br>(10.6 to 13.3)   |
|                            | U/T1, V/T2, W/T3 | 14                       | 14 to 10              |            |                                |
|                            | ⊖, ⊕1, ⊕2        | –                        | 14 to 10              |            |                                |
|                            | B1, B2           | –                        | 14 to 10              |            |                                |
|                            | ⊕                | 10                       | 14 to 10              |            |                                |

## D.3 UL Standards

**Table D.8 Wire Gauge and Torque Specifications**

| Drive Model                          | Terminal         | Recomm. Gauge AWG, kcmil | Wire Range AWG, kcmil | Screw Size | Tightening Torque N·m (lb.in.) |
|--------------------------------------|------------------|--------------------------|-----------------------|------------|--------------------------------|
| 2A0001<br>2A0002<br>2A0004<br>2A0006 | R/L1, S/L2, T/L3 | 14                       | 18 to 14              | M3.5       | 0.8 to 1.0<br>(7.1 to 8.9)     |
|                                      | U/T1, V/T2, W/T3 | 14                       | 18 to 14              |            |                                |
|                                      | ⊖, ⊕1, ⊕2        | –                        | 18 to 14              |            |                                |
|                                      | B1, B2           | –                        | 18 to 14              |            |                                |
|                                      | ⊕                | 14                       | 18 to 14              |            |                                |
| 2A0010                               | R/L1, S/L2, T/L3 | 14                       | 14 to 10              | M4         | 1.2 to 1.5<br>(10.6 to 13.3)   |
|                                      | U/T1, V/T2, W/T3 | 14                       | 14 to 10              |            |                                |
|                                      | ⊖, ⊕1, ⊕2        | –                        | 14 to 10              |            |                                |
|                                      | B1, B2           | –                        | 14 to 10              |            |                                |
|                                      | ⊕                | 10                       | 14 to 10              |            |                                |
| 2A0012                               | R/L1, S/L2, T/L3 | 12                       | 14 to 10              | M4         | 1.2 to 1.5<br>(10.6 to 13.3)   |
|                                      | U/T1, V/T2, W/T3 | 14                       | 14 to 10              |            |                                |
|                                      | ⊖, ⊕1, ⊕2        | –                        | 14 to 10              |            |                                |
|                                      | B1, B2           | –                        | 14 to 10              |            |                                |
|                                      | ⊕                | 10                       | 14 to 10              |            |                                |
| 2A0020                               | R/L1, S/L2, T/L3 | 10                       | 14 to 10              | M4         | 1.2 to 1.5<br>(10.6 to 13.3)   |
|                                      | U/T1, V/T2, W/T3 | 10                       | 14 to 10              |            |                                |
|                                      | ⊖, ⊕1, ⊕2        | –                        | 14 to 10              |            |                                |
|                                      | B1, B2           | –                        | 14 to 10              |            |                                |
|                                      | ⊕                | 10                       | 14 to 10              |            |                                |

**Table D.9 Wire Gauge and Torque Specifications**

| Drive Model                | Terminal         | Recomm. Gauge AWG, kcmil | Wire Range AWG, kcmil | Screw Size | Tightening Torque N·m (lb.in.) |
|----------------------------|------------------|--------------------------|-----------------------|------------|--------------------------------|
| 4A0001<br>4A0002<br>4A0004 | R/L1, S/L2, T/L3 | 14                       | 14 to 10              | M4         | 1.2 to 1.5<br>(10.6 to 13.3)   |
|                            | U/T1, V/T2, W/T3 | 14                       | 14 to 10              |            |                                |
|                            | ⊖, ⊕1, ⊕2        | –                        | 14 to 10              |            |                                |
|                            | B1, B2           | –                        | 14 to 10              |            |                                |
|                            | ⊕                | 14                       | 14 to 10              |            |                                |
| 4A0005<br>4A0007<br>4A0009 | R/L1, S/L2, T/L3 | 14                       | 14 to 10              | M4         | 1.2 to 1.5<br>(10.6 to 13.3)   |
|                            | U/T1, V/T2, W/T3 | 14                       | 14 to 10              |            |                                |
|                            | ⊖, ⊕1, ⊕2        | –                        | 14 to 10              |            |                                |
|                            | B1, B2           | –                        | 14 to 10              |            |                                |
|                            | ⊕                | 10                       | 14 to 10              |            |                                |
| 4A0011                     | R/L1, S/L2, T/L3 | 12                       | 14 to 10              | M4         | 1.2 to 1.5<br>(10.6 to 13.3)   |
|                            | U/T1, V/T2, W/T3 | 14                       | 14 to 10              |            |                                |
|                            | ⊖, ⊕1, ⊕2        | –                        | 14 to 10              |            |                                |
|                            | B1, B2           | –                        | 14 to 10              |            |                                |
|                            | ⊕                | 10                       | 14 to 10              |            |                                |

**Note:** Use crimp insulated terminals or insulated tubing for wiring these connections. Wires should have a continuous maximum allowable temperature of 75 °C 600 V UL approved vinyl sheathed insulation. Ambient temperature should not exceed 30 °C.



### Closed-Loop Crimp Terminal Recommendations

Yaskawa recommends crimp terminals made by JST and Tokyo DIP for the insulation cap.

**Table D.10** matches the wire gauges and terminal screw sizes with Yaskawa-recommended crimp terminals, tools, and insulation caps. Refer to the appropriate Wire Gauge and Torque Specifications table for the wire gauge and screw size for your drive model. Place orders with a Yaskawa representative or the Yaskawa sales department.

The closed-loop crimp terminal sizes and values listed in **Table D.10** are Yaskawa recommendations. Refer to local codes for proper selections.

**Table D.10 Closed-Loop Crimp Terminal Sizes**

| Wire Gauge  | Terminal Screws | Crimp Terminal Model Number | Tool        |         | Insulation Cap Model No. | Code <1>    |
|-------------|-----------------|-----------------------------|-------------|---------|--------------------------|-------------|
|             |                 |                             | Machine No. | Die Jaw |                          |             |
| 18 AWG      | M3.5            | R1.25-3.5                   | YA-4        | AD-900  | TP-003                   | 100-066-217 |
| 16 AWG      | M3.5            | R1.25-3.5                   | YA-4        | AD-900  | TP-003                   | 100-066-217 |
| 14 AWG      | M3.5            | R2-3.5                      | YA-4        | AD-900  | TP-003                   | 100-066-218 |
|             | M4              | R2-4                        | YA-4        | AD-900  | TP-003                   | 100-054-028 |
| 12 / 10 AWG | M4              | R5.5-4                      | YA-4        | AD-900  | TP-005                   | 100-054-029 |

<1> Codes refer to a set of three crimp terminals and three insulation caps. Prepare input and output wiring using two sets for each connection.

Example: Models with 14 AWG for both input and output require one set for input terminals and one set for output terminals, so the user should order two sets of [100-066-218].

**Note:** Consider the amount of voltage drop when selecting wire gauges. Increase the wire gauge when the voltage drop is greater than 2% of motor rated voltage. Ensure the wire gauge is suitable for the terminal block. Use the following formula to calculate the amount of voltage drop:  
Line drop voltage (V) =  $\sqrt{3} \times$  wire resistance ( $\Omega/\text{km}$ )  $\times$  wire length (m)  $\times$  current (A)  $\times 10^{-3}$

### ■ Factory Recommended Branch Circuit Protection

Yaskawa recommends installing one of the following types of branch circuit protection to maintain compliance with UL508C. Semiconductor protective type fuses are preferred.

Branch circuit protection shall be provided by any of the following according to **Table D.11**.

- Non-time Delay Class J, T, or CC fuses.
- Time Delay Class J, T, CC, or RK5 fuses.
- Semiconductor fuses.
- Molded Case Circuit Breakers (MCCB).

**Table D.11 Factory Recommended Drive Branch Circuit Protection**

| Drive Model                            | Non-time Delay Fuse Rating (A) <1> | Time Delay Fuses                      |                               | Bussmann Semiconductor Fuse Part Number (Fuse Ampere) <4> | MCCB <5>   |   |
|--|------------------------------------|---------------------------------------|-------------------------------|---|------------|---|
|  |                                    | Class J, T, or CC Fuse Rating (A) <2> | Class RK5 Fuse Rating (A) <3> |   | Rating (A) | Minimum Enclosure Volume (in <sup>3</sup> ) |
| <b>200 V Class Single-Phase Drives</b> |                                    |                                       |                               |   |            |   |
| BA0001                                 | 6                                  | 3.5                                   | 4                             | FWH-25A14F (25)   | 15         | 600   |
| BA0002                                 | 10                                 | 6                                     | 8                             | FWH-25A14F (25)   | 15         | 600   |
| BA0003                                 | 20                                 | 10                                    | 15                            | FWH-60B (60)  | 15         | 600   |
| BA0006                                 | 40                                 | 20                                    | 30                            | FWH-80B (80)  | 30         | 1152  |
| BA0010                                 | 40                                 | 35                                    | 45                            | FWH-100B (100)  | 50         | 1152  |
| <b>200 V Class Three-Phase Drives</b>  |                                    |                                       |                               |   |            |   |
| 2A0001                                 | 3                                  | 1.5                                   | 2                             | FWH-25A14F (25)   | 15         | 600   |
| 2A0002                                 | 6 <6>                              | 3                                     | 3                             | FWH-25A14F (25)   | 15         | 600   |
| 2A0004                                 | 15 <7>                             | 6                                     | 8                             | FWH-25A14F (25)   | 15         | 600   |
| 2A0006                                 | 20                                 | 10                                    | 15                            | FWH-25A14F (25)   | 15         | 1152  |
| 2A0010                                 | 25                                 | 15                                    | 20                            | FWH-70B (70)  | 25         | 1152  |
| 2A0012                                 | 25                                 | 20                                    | 30                            | FWH-70B (70)  | 30         | 1152  |
| 2A0020                                 | 40                                 | 40                                    | 50                            | FWH-90B (90)  | 60         | 1152  |
| <b>400 V Class Three-Phase Drives</b>  |                                    |                                       |                               |   |            |   |
| 4A0001                                 | 3                                  | 2                                     | 2                             | FWH-40B (40)  | 15         | 1152  |

## D.3 UL Standards

| Drive Model | Non-time Delay Fuse Rating (A)<br><1> | Time Delay Fuses                         |                                  | Bussmann Semiconductor Fuse Part Number (Fuse Ampere) <4> | MCCB <5>   |   |
|-------------|---------------------------------------|--|----------------------------------|---|------------|---|
|             |                                       | Class J, T, or CC Fuse Rating (A)<br><2> | Class RK5 Fuse Rating (A)<br><3> |   | Rating (A) | Minimum Enclosure Volume (in <sup>3</sup> ) |
| 4A0002      | 6                                     | 3.5                                      | 3                                | FWH-40B (40)  | 15         | 1152  |
| 4A0004      | 15 <7>                                | 7  | 8                                | FWH-50B (50)  | 15         | 1152  |
| 4A0005      | 20 <8>                                | 10                                       | 10                               | FWH-70B (70)  | 15         | 1152  |
| 4A0007      | 25 <9>                                | 12                                       | 15                               | FWH-70B (70)  | 20         | 1152  |
| 4A0009      | 25                                    | 15                                       | 20                               | FWH-90B (90)  | 20         | 1152  |
| 4A0011      | 30                                    | 20                                       | 30                               | FWH-90B (90)  | 35         | 1152  |

- <1> Maximum 300% of drive input current rating for any Class J, T, or CC fuse except for models 2A0002, 2A0004, 4A0004, 4A0005, and 4A0007.
- <2> Maximum 175% of drive input current rating for any Class J, T, or CC fuse.
- <3> Maximum 225% of drive input current rating for any Class RK5 fuse.
- <4> When using semiconductor fuses, Bussmann FWH are required for UL compliance.
- <5> Maximum MCCB Rating is 15 A or 200% of drive input current rating, whichever is larger. MCCB voltage rating must be 600 Vac or greater. Additionally, when using MCCBs for protection, the drive must be installed in a ventilated enclosure with minimum volume according the “Minimum Enclosure Volume” column.
- <6> Model 2A0002 requires Mersen (Ferraz) part number A6T6 for compliance.
- <7> Models 2A0004 and 4A0004 require Mersen (Ferraz) part number A6T15 for compliance.
- <8> Model 4A0005 requires Mersen (Ferraz) part number A6T20 for compliance.
- <9> Model 4A0007 requires Mersen (Ferraz) part number A6T25 for compliance.

### ■ Low Voltage Wiring for Control Circuit Terminals

Wire low voltage wires with NEC Class 1 circuit conductors. Refer to national state or local codes for wiring. The external power supply shall be a UL-Listed Class 2 power source or equivalent.

Table D.12 Control Circuit Terminal Power Supply

| Input / Output                | Terminal Signal        | Power Supply Specifications  |
|-------------------------------|------------------------|--|
| Multi-function digital inputs | S1, S2, S3, S4, S5, SC | Use the internal power supply of the drive. Use class 2 for external power supply. |
| Main frequency reference      | +V, A1, AC             | Use the internal power supply of the drive. Use class 2 for external power supply. |

### ■ Drive Short-Circuit Rating

This drive has undergone the UL short-circuit test, which certifies that during a short circuit in the power supply the current flow will not rise above 31,000 amps maximum at 240 V for 200 V class drives and 480 V for 400 V class drives.

- The MCCB and breaker protection and fuse ratings shall be equal to or greater than the short-circuit tolerance of the power supply being used.
- Suitable for use on a circuit capable of delivering not more than 31,000 RMS symmetrical amperes for 240 V in 200 V class drives (up to 480 V for 400 V class drives) motor overload protection.

### ◆ Drive Motor Overload Protection

Set parameter E2-01 (motor rated current) to the appropriate value to enable motor overload protection. The internal motor overload protection is UL listed and in accordance with the NEC and CEC.

#### ■ E2-01: Motor Rated Current

Setting Range: Model Dependent

Default Setting: Model Dependent

Parameter E2-01 (motor rated current) protects the motor if parameter L1-01 is not set to 0 (default is 1, standard induction motor protection enabled).

## ■ L1-01: Motor Overload Protection Selection

The drive has an electronic overload protection function (oL1) based on time, output current and output frequency, which protects the motor from overheating. The electronic thermal overload function is UL-recognized, so it does not require an external thermal overload relay for single motor operation.

This parameter selects the motor overload curve used according to the type of motor applied.

**Table D.13 Overload Protection Settings**

| Setting | Description   |
|---------|---|
| 0       | Disabled  |
| 1       | General Purpose Motor (Standard Fan-Cooled) (default) |
| 2       | Drive Dedicated Motor with a Speed Range of 1:10      |

Disable the electronic overload protection (L1-01 = 0: Disabled) and wire each motor with its own motor thermal overload when connecting the drive to more than one motor for simultaneous operation.

Enable the motor overload protection (L1-01 = 1 or 2) when connecting the drive to a single motor unless there is another means of preventing motor thermal overload. The electronic thermal overload function causes an oL1 fault, which shuts off the output of the drive and prevents additional overheating of the motor. The motor temperature is continually calculated as long as the drive is powered up.

Setting L1-01 = 1 selects a motor with limited cooling capability below rated (base) speed when running at 100% load. The oL1 function derates the motor when it is running below base speed.

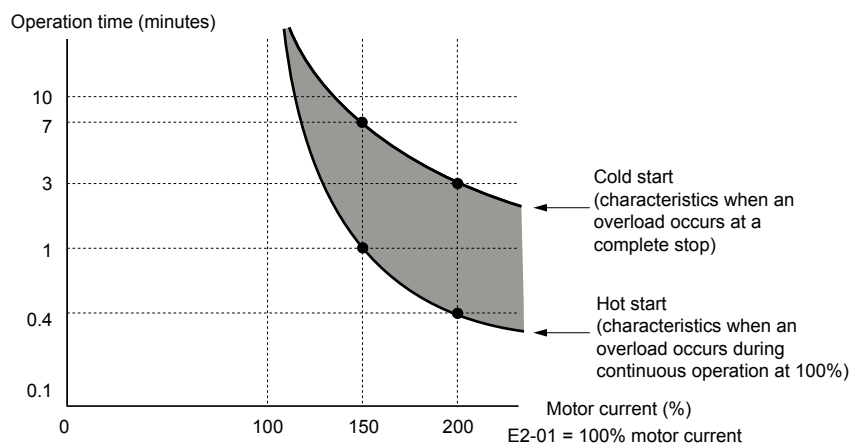
Setting L1-01 = 2 selects a motor capable of cooling itself over a 10:1 speed range when running at 100% load. The oL1 function derates the motor when it is running at 1/10 or less of its rated speed.

## ■ L1-02: Motor Overload Protection Time

Setting Range: 0.1 to 20.0 Minutes

Factory Default: 8.0 Minutes

The L1-02 parameter sets the allowed operation time before the oL1 fault occurs when the drive is running at 60 Hz and 150% of the full load amp rating (E2-01) of the motor. Adjusting the value of L1-02 can shift the set of oL1 curves up the Y-axis of the diagram below but will not change the shape of the curves.



**Figure D.9 Motor Overload Protection Time**

**This Page Intentionally Blank**

# Appendix: E

## Quick Reference Sheet

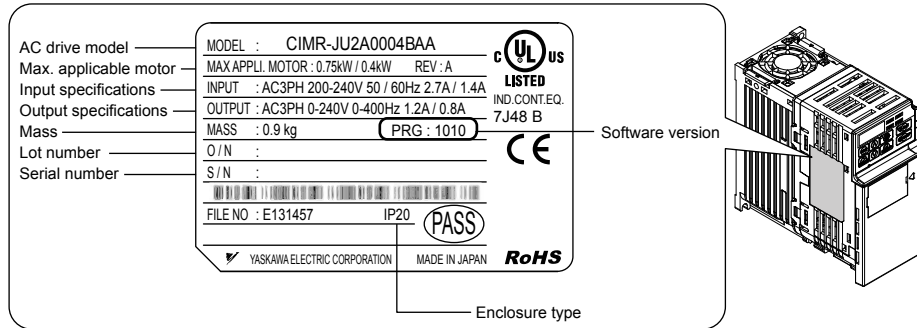
---

The following tables have been provided for the user's convenience. Fill in the cells that have been left blank as is appropriate for your drive, and keep this information as a quick reference guide for drive and motor data as well as parameter settings.

|            |  |            |
|------------|--|------------|
| <b>E.1</b> | <b>DRIVE AND MOTOR SPECIFICATIONS.....</b> | <b>254</b> |
| <b>E.2</b> | <b>BASIC PARAMETER SETTINGS.....</b>       | <b>255</b> |
| <b>E.3</b> | <b>USER SETTING TABLE.....</b>             | <b>256</b> |

## E.1 Drive and Motor Specifications

A separate record should be kept that lists drive specifications and motor specifications.



### ◆ Drive

| Items                  | Description |
|------------------------|-------------|
| Model                  | CIMR-J      |
| Serial Number          |             |
| Software Version (PRG) |             |
| Date of Usage          |             |

### ◆ Motor

| Items               | Description | Items                 | Description |
|---------------------|-------------|-----------------------|-------------|
| Manufacturer        |             | Motor Rated Current   | A           |
| Model               |             |                       | Hz          |
| Motor Rated Power   | HP          | Number of Motor Poles |             |
| Motor Rated Voltage | V           | Motor Base Speed      | r/min       |

## E.2 Basic Parameter Settings

Use the following tables to keep records of the most important parameters. Have these data available when contacting Yaskawa technical support.

### ◆ Basic Setup

| Item                        | Setting Value | Memo |
|-----------------------------|---------------|------|
| Control Mode                | A1-02 =       |      |
| Normal/Heavy Duty Selection | C6-01 =       |      |
| Frequency Reference Source  | b1-01 =       |      |
| Run Command Source          | b1-02 =       |      |

### ◆ V/f Pattern Setup

| Item                      | Setting Value | Memo |
|---------------------------|---------------|------|
| V/f Pattern Selection     | E1-03 =       |      |
| Maximum Output Frequency  | E1-04 =       |      |
| Maximum Voltage           | E1-05 =       |      |
| Base Frequency            | E1-06 =       |      |
| Middle Output Frequency   | E1-07 =       |      |
| Mid. Output Freq. Voltage | E1-08 =       |      |
| Minimum Output Frequency  | E1-09 =       |      |
| Min. Output Freq. Voltage | E1-10 =       |      |

### ◆ Motor Setup

| Item                    | Setting Value | Memo |
|-------------------------|---------------|------|
| Motor Rated Current     | E2-01 =       |      |
| Motor Rated Slip        | E2-02 =       |      |
| Motor No-Load Current   | E2-03 =       |      |
| Line-to-Line Resistance | E2-05 =       |      |

### ◆ Multi-Function Digital Outputs (MC Common)

| Terminal | Used/<br>Reserved | Setting Value and Function Name | Memo |
|----------|-------------------|---------------------------------|------|
| MA-MB    |                   | H2-01 =                         |      |

### ◆ Monitor Outputs (AC Common)

| Terminal | Used/<br>Reserved | Setting Value and Function Name | Memo |
|----------|-------------------|---------------------------------|------|
| AM       |                   | H4-01 =                         |      |

## E.3 User Setting Table

| No.   | Name  | User Setting | No.   | Name   | User Setting |
|-------|---|--------------|-------|--|--------------|
| A1-01 | Access Level Selection                                |              | d4-01 | Frequency Reference Hold Function Selection                  |              |
| A1-03 | Initialize Parameters                                 |              | E1-01 | Input Voltage Setting  |              |
| A1-04 | Password  |              | E1-03 | V/f Pattern Selection  |              |
| A1-05 | Password Setting                                      |              | E1-04 | Max Output Frequency   |              |
| b1-01 | Frequency Reference Selection 1                       |              | E1-05 | Max Voltage  |              |
| b1-02 | Run Command Selection 1                               |              | E1-06 | Base Frequency   |              |
| b1-03 | Stopping Method Selection                             |              | E1-07 | Mid Output Frequency   |              |
| b1-04 | Reverse Operation Selection                           |              | E1-08 | Mid Output Frequency Voltage                                 |              |
| b1-07 | Local/Remote Run Selection                            |              | E1-09 | Minimum Output Frequency                                     |              |
| b1-08 | Run Command Selection while in Programming Mode       |              | E1-10 | Minimum Output Frequency Voltage                             |              |
| b1-14 | Phase Order Selection                                 |              | E2-01 | Motor Rated Current  |              |
| b1-17 | Run Command at Power Up                               |              | E2-02 | Motor Rated Slip   |              |
| b2-02 | DC Injection Braking Current                          |              | E2-03 | Motor No-Load Current  |              |
| b2-03 | DC Injection Braking Time/DC Excitation Time at Start |              | E2-05 | Motor Line-to-Line Resistance                                |              |
| b2-04 | DC Injection Braking Time at Stop                     |              | H1-01 | Multi-Function Digital Input Terminal S1 Function Selection  |              |
| C1-01 | Acceleration Time 1                                   |              | H1-02 | Multi-Function Digital Input Terminal S2 Function Selection  |              |
| C1-02 | Deceleration Time 1                                   |              | H1-03 | Multi-Function Digital Input Terminal S3 Function Selection  |              |
| C1-03 | Acceleration Time 2                                   |              | H1-04 | Multi-Function Digital Input Terminal S4 Function Selection  |              |
| C1-04 | Deceleration Time 2                                   |              | H1-05 | Multi-Function Digital Input Terminal S5 Function Selection  |              |
| C1-09 | Fast-Stop Time  |              | H2-01 | Terminal MA, MB and MC Function Selection (relay)            |              |
| C2-01 | S-Curve Characteristic at Accel Start                 |              | H3-01 | Terminal A1 Signal Level Selection                           |              |
| C2-02 | S-Curve Characteristic at Accel End                   |              | H3-03 | Terminal A1 Gain Setting                                     |              |
| C2-03 | S-Curve Characteristic at Decel Start                 |              | H3-04 | Terminal A1 Bias Setting                                     |              |
| C2-04 | S-Curve Characteristic at Decel End                   |              | H3-13 | Analog Input Filter Time Constant                            |              |
| C3-01 | Slip Compensation Gain                                |              | H4-01 | Multi-Function Analog Output (Terminal AM Monitor Selection) |              |
| C3-02 | Slip Compensation Primary Delay Time                  |              | H4-02 | Multi-Function Analog Output (Terminal AM Output Gain)       |              |
| C4-01 | Torque Compensation Gain                              |              | H4-03 | Multi-Function Analog Output (Terminal AM Output Bias)       |              |
| C6-01 | Duty Mode Selection                                   |              | H5-01 | Drive Node Address   |              |
| C6-02 | Carrier Frequency Selection                           |              | H5-02 | Communication Speed Selection                                |              |
| C6-03 | Carrier Frequency Upper Limit                         |              | H5-03 | Communication Parity Selection                               |              |
| C6-04 | Carrier Frequency Lower Limit                         |              | H5-04 | Stopping Method After Communication Error                    |              |
| C6-05 | Carrier Frequency Proportional Gain                   |              | H5-05 | Communication Fault Detection Selection                      |              |
| d1-01 | Frequency Reference 1                                 |              | H5-06 | Drive Transmit Wait Time                                     |              |
| d1-02 | Frequency Reference 2                                 |              | H5-07 | RTS Control Selection  |              |
| d1-03 | Frequency Reference 3                                 |              | H5-12 | Run Command Method Selection                                 |              |
| d1-04 | Frequency Reference 4                                 |              | H5-13 | MEMOBUS Frequency Reference and Frequency Monitor Unit       |              |
| d1-05 | Frequency Reference 5                                 |              | L1-01 | Motor Overload Protection Selection                          |              |
| d1-06 | Frequency Reference 6                                 |              | L1-02 | Motor Overload Protection Time                               |              |
| d1-07 | Frequency Reference 7                                 |              | L1-13 | Continuous Electrothermal Operation Selection                |              |
| d1-08 | Frequency Reference 8                                 |              | L2-01 | Momentary Power Loss Operation Selection                     |              |
| d1-17 | Jog Frequency Reference                               |              |       |  |              |
| d2-01 | Frequency Reference Upper Limit                       |              |       |  |              |
| d2-02 | Frequency Reference Lower Limit                       |              |       |  |              |
| d3-01 | Jump Frequency 1                                      |              |       |  |              |
| d3-02 | Jump Frequency 2                                      |              |       |  |              |
| d3-04 | Jump Frequency Width                                  |              |       |  |              |



| No.   | Name  | User Setting | No.   | Name   | User Setting |
|-------|---|--------------|-------|--|--------------|
| L3-01 | Stall Prevention Selection during Accel.                          |              | n1-02 | Hunting Prevention Gain Setting                  |              |
| L3-02 | Stall Prevention Level during Accel.                              |              | n3-13 | Overexcitation Deceleration Gain                 |              |
| L3-04 | Stall Prevention Selection during Deceleration                    |              | o1-02 | User Monitor Selection After Power Up            |              |
| L3-05 | Stall Prevention Selection during Run                             |              | o1-03 | Digital Operator Display Selection               |              |
| L3-06 | Stall Prevention Level during Run                                 |              | o2-02 | STOP Key Function Selection                      |              |
| L4-01 | Speed Agreement Detection Level                                   |              | o2-04 | Drive/kVA Selection                              |              |
| L4-07 | Frequency Detection Conditions                                    |              | o2-05 | Frequency Reference Setting Method Selection     |              |
| L5-01 | Number of Auto Restart Attempts                                   |              | o3-01 | Copy Function Selection                          |              |
| L6-01 | Torque Detection Selection 1                                      |              | o3-02 | Copy Allowed Selection                           |              |
| L6-02 | Torque Detection Level 1  |              | o4-01 | Accumulated Operation Time Setting               |              |
| L6-03 | Torque Detection Time 1   |              | o4-02 | Accumulated Operation Time Selection             |              |
| L8-01 | Internal Dynamic Braking Resistor Protection Selection (ERF type) |              | o4-03 | Cooling Fan Maintenance Setting (Operation Time) |              |
| L8-05 | Input Phase Loss Protection Selection                             |              | o4-05 | Capacitor Maintenance Setting                    |              |
| L8-10 | Heatsink Cooling Fan Operation Selection                          |              | o4-07 | DC Bus Pre-Charge Relay Maintenance Setting      |              |
| L8-12 | Ambient Temperature Setting                                       |              | o4-09 | IGBT Maintenance Setting                         |              |
| L8-18 | Soft Current Limit Selection                                      |              | o4-11 | U2 Initialization                                |              |
| L8-35 | Side-by-Side Selection  |              |       |  |              |
| L8-38 | Carrier Frequency Reduction                                       |              |       |  |              |

**This Page Intentionally Blank**

# Index

## Numerics

|                         |     |
|-------------------------|-----|
| 3-Wire Sequence         | 196 |
| 3-Wire Sequence Example | 36  |

## A

|  |               |
|--|---------------|
| A/D Conversion Error                   | 132, 133, 134 |
| A1-01                                  | 72, 191       |
| A1-03                                  | 191           |
| A1-04                                  | 72, 148, 191  |
| A1-05                                  | 72, 148, 191  |
| A1 Initialization Parameters           | 191           |
| Accel/Decel Ramp Hold                  | 196           |
| Accel/Decel Time                       | 130           |
| Accel/Decel Time 1                     | 196           |
| Acceleration Time 1                    | 192           |
| Acceleration Time 2                    | 192           |
| Access Level Selection                 | 72, 191       |
| Accumulated Operation Time             | 204           |
| Accumulated Operation Time Selection   | 203           |
| Accumulated Operation Time Setting     | 203           |
| Alarm Causes and Solutions             | 141           |
| Alarm Displays                         | 141           |
| Alarm Outputs for Maintenance Monitors | 160           |
| Alarms and Errors                      | 101           |
| Allowable Frequency Fluctuation        | 183, 184      |
| Allowable Voltage Fluctuation          | 183, 184      |
| Altitude Derating                      | 26            |
| Ambient Temperature Setting            | 188, 201      |
| Analog Filter Time Constant            | 130           |
| Analog Input Filter Time Constant      | 198           |

## B

|                             |          |
|-----------------------------|----------|
| b1-01                       | 148, 191 |
| b1-02                       | 148, 191 |
| b1-04                       | 153, 191 |
| b1-07                       | 191      |
| b1-08                       | 191      |
| b1-14                       | 192      |
| b1-17                       | 192      |
| b1 Operation Mode Selection | 191      |
| b2-02                       | 152, 192 |
| b2-03                       | 152, 192 |
| b2-04                       | 152, 192 |
| b2 DC Injection Braking     | 192      |
| Baseblock                   | 141      |
| Baseblock Command (N.C.)    | 196      |
| Baseblock Command (N.O.)    | 196      |

|                                   |          |
|-----------------------------------|----------|
| bb                                | 132, 141 |
| Braking Resistor                  | 51       |
| Braking Resistor, Installation    | 51       |
| Braking Resistor Overheat         | 139      |
| Buzzing Sound from Motor at 2 kHz | 152      |

## C

|  |                        |
|--|------------------------|
| C1-01                                  | 66, 153                |
| C1-09                                  | 192                    |
| C1 Acceleration and Deceleration Times | 192                    |
| C2-01                                  | 192                    |
| C2-01 through C2-04                    | 130                    |
| C2-02                                  | 192                    |
| C2-03                                  | 192                    |
| C2-04                                  | 192                    |
| C2 S-Curve Characteristics             | 192                    |
| C3-01                                  | 130                    |
| C3-02                                  | 193                    |
| C3 Slip Compensation                   | 192                    |
| C4-01                                  | 130, 149               |
| C4 Torque Compensation                 | 193                    |
| C6-02                                  | 54, 130, 151, 153, 193 |
| C6-03                                  | 193                    |
| C6-04                                  | 193                    |
| C6-05                                  | 151, 193               |
| C6 Carrier Frequency                   | 193                    |
| Cable Length Between Drive and Motor   | 42                     |
| CALL                                   | 132, 141               |
| Cannot Change Parameter Settings       | 148                    |
| Can Not Reset                          | 132, 142               |
| Capacitor Maintenance                  | 204                    |
| Capacitor Maintenance Setting          | 203                    |
| Carrier Frequency Lower Limit          | 193                    |
| Carrier Frequency Proportional Gain    | 193                    |
| Carrier Frequency Reduction            | 201                    |
| Carrier Frequency Selection            | 130, 193               |
| Carrier Frequency Setting Error        | 132, 146               |
| Carrier Frequency Upper Limit          | 193                    |
| CE                                     | 131, 132, 133, 141     |
| CE mark                                | 240                    |
| clock error                            | 134                    |
| Clock Fault                            | 132                    |
| Closed-Loop Crimp Terminal Sizes       | 249                    |
| CoF                                    | 131, 133               |
| Comm. Fault Detection Selection        | 199                    |
| Communication Parity Selection         | 198                    |
| Communication Speed Selection          | 198                    |

|   |          |  |                    |
|---|----------|--|--------------------|
| Communications Test Mode .....                              | 197      | Drive Unit Setting Error .....                         | 132                |
| Connected Machinery Vibrates When Motor Rotates .....       | 151      | Drive Watt Loss Data .....                             | 187                |
| Control Circuit Connection Diagram .....                    | 44       | During Baseblock .....                                 | 197                |
| Control Circuit Fault .....                                 | 131      | During Run .....                                       | 197                |
| Control Circuit Input Terminals .....                       | 44       | Dynamic Braking Resistor .....                         | 132                |
| Control Circuit Output Terminals .....                      | 45       | <b>E</b>   |                    |
| Control Circuit Terminal Block Functions .....              | 44       | E1-04 .....  | 150, 151, 152      |
| Control Circuit Terminal Configuration .....                | 45       | E1-06 .....  | 151                |
| Cooling Fan Maintenance Setting (Operation Time) .....      | 203      | E1-08 .....  | 130, 149           |
| Cooling Fan Replacement .....                               | 142      | E1-09 .....  | 148, 149, 152, 153 |
| CPF02 .....   | 133      | E1-10 .....  | 130, 149, 151      |
| CPF06 .....   | 133      | E1 V/f Pattern Characteristics .....                   | 195                |
| CPF08 .....   | 134      | E2-01 .....  | 130, 195, 250      |
| CPF20 .....   | 134      | E2-02 .....  | 130, 195           |
| CPF21 .....   | 134      | E2-03 .....  | 130, 195           |
| CPF22 .....   | 132, 134 | E2-05 .....  | 195                |
| CPF23 .....   | 132, 134 | E2 Motor Parameters .....                              | 195                |
| CPF24 .....   | 132, 134 | EEPROM Data Error .....                                | 133                |
| CrST .....  | 132, 142 | EEPROM Serial Communication Fault .....                | 134                |
| C Tuning .....  | 192      | EEPROM Write Error .....                               | 135                |
| Current Fault .....   | 204      | EF .....   | 132, 142           |
| Current Offset Fault .....                                  | 131, 133 | EF0 .....  | 134                |
| <b>D</b>  |          | EF1 .....  | 134, 142           |
| d1 Frequency Reference .....                                | 194      | EF1 to EF5 .....                                       | 132                |
| d2-01 .....   | 152, 194 | EF2 .....  | 134, 142           |
| d2-02 .....   | 194      | EF3 .....  | 134, 142           |
| d2 Frequency Upper and Lower Limits .....                   | 194      | EF4 .....  | 135, 142           |
| d3-01 .....   | 151, 194 | EF5 .....  | 135, 142           |
| d3-01 through d3-04 .....                                   | 130      | EMC Guidelines .....                                   | 240                |
| d3-02 .....   | 194      | Err .....  | 135                |
| d3-04 .....   | 151, 194 | European Standards .....                               | 240                |
| d3 Jump Frequency .....                                     | 194      | Excessive Motor Oscillation and Erratic Rotation ..... | 151                |
| d4-01 .....   | 194      | External Digital Operator Connection Fault .....       | 138                |
| d4 Frequency Reference Hold .....                           | 194      | External Fault (user selection possible) .....         | 197                |
| DC Bus Pre-Charge Relay Maintenance Setting .....           | 203      | External Search Command 1 .....                        | 197                |
| DC Bus Undervoltage .....                                   | 139, 197 | External Search Command 2 .....                        | 197                |
| DC Bus Voltage .....  | 203      | <b>F</b>   |                    |
| DC Injection Braking at start .....                         | 152      | Fast-stop (N.C.) .....                                 | 196                |
| DC Injection Braking at Stop .....                          | 152      | Fast-Stop (N.O.) .....                                 | 196                |
| DC Injection Braking Current .....                          | 152, 192 | Fast-stop Time .....                                   | 192                |
| DC Injection Braking Time/DC Excitation Time at Start ..... | 192      | Fault .....  | 197                |
| Deceleration Time 1 .....                                   | 192      | Fault Causes and Solutions .....                       | 133                |
| Deceleration Time 2 .....                                   | 192      | Fault Detection .....                                  | 133                |
| Digital Operator Display Selection .....                    | 202      | Fault Displays .....                                   | 133                |
| DIP Switch S1 .....   | 50       | Fault History Example .....                            | 147                |
| Down Command .....  | 196      | Fault Reset .....                                      | 196                |
| d References .....  | 194      | Fault Reset Example .....                              | 131                |
| Drive/kVA Selection .....                                   | 202      | Faults .....   | 131                |
| Drive Baseblock .....                                       | 132      | FLASH memory error .....                               | 134                |
| Drive Capacity Setting Fault .....                          | 145      | FLASH Memory Fault .....                               | 131, 132           |
| Drive Capacity Signal Fault .....                           | 132      | Forward/Reverse Run Command Input Error .....          | 142                |
| Drive Cooling Fans .....                                    | 159      | Forward Run Command (2-Wire sequence) .....            | 197                |
| Drive Mode .....  | 62, 63   | Fref/Fout Agree 1 .....                                | 197                |
| Drive Motor Overload Protection .....                       | 250      | Frequency (FOUT) Detection 1 .....                     | 197                |
| Drive Overload .....  | 132, 137 | Frequency (FOUT) Detection 2 .....                     | 197                |
| Drive Ready .....   | 197      | Frequency Reference .....                              | 203                |
| Drive Short-Circuit Rating .....                            | 250      | Frequency Reference 1 .....                            | 194                |
| Drive Slave Address .....                                   | 198      | Frequency Reference 2 .....                            | 194                |
| Drive Transmit Wait Time .....                              | 199      |  |                    |

|  |              |   |               |
|--|--------------|---|---------------|
| Frequency Reference 3                                    | 194          | Input Current (A)   | 183, 184      |
| Frequency Reference 4                                    | 194          | Input Fuses   | 240           |
| Frequency Reference 5                                    | 194          | Input Phase Loss  | 132, 138      |
| Frequency Reference 6                                    | 194          | Input Terminals   | 66            |
| Frequency Reference 7                                    | 194          | Input Voltage Setting   | 195           |
| Frequency Reference 8                                    | 194          | Inrush Prevention Circuit Fault                                   | 139           |
| Frequency Reference Hold Function Selection              | 194          | Inspection  | 158, 159      |
| Frequency Reference Selection                            | 191          | Installation Environment  | 26            |
| Frequency Reference Selection 1                          | 148          | Installation Orientation  | 27            |
| Frequency Reference Setting Method Selection             | 202          | Installation Spacing  | 27            |
| Frequency Reference Upper Limit                          | 194          | Installing Multiple Drives  | 27            |
| Frequency Reference Wiring                               | 47           | Internal Dynamic Braking Resistor Protection                      | 52            |
| Fuse (CE)  | 240, 241     | Internal Dynamic Braking Resistor Protection Selection (ERF type) | 201           |
| Fuse Holder (CE)   | 241          |   |               |
| Fuse Selection   | 240          | <b>J</b>  |               |
| <b>G</b>   |              | Jog Frequency Reference   | 194           |
| General Safety Information                               | 11           | Jog Reference Selection   | 196           |
| Ground Fault Interrupter Activates When Drive is Running | 153          | Jump Frequency  | 130           |
| Ground Wiring  | 42           | Jump Frequency 1  | 194           |
|  |              | Jump Frequency 2  | 194           |
|  |              | Jump Frequency Width  | 194           |
| <b>H</b>   |              |   |               |
| H1-01  | 196          | <b>L</b>  |               |
| H1-02  | 196          | L1-01   | 199, 251      |
| H1-03  | 196          | L1-02   | 199, 251      |
| H1-04  | 196          | L1-13   | 199           |
| H1-05  | 36, 196      | L1 Motor Protection Functions                                     | 199           |
| H1 Multi-Function Digital Input                          | 196          | L2-01   | 199           |
| H1 Multi-Function Digital Input Selections               | 196          | L2 Momentary Power Loss   | 199           |
| H2-01  | 197          | L3-01   | 200           |
| H2 Multi-Function Digital Outputs                        | 197          | L3-01 through L3-06   | 130           |
| H2 Multi-Function Digital Output Settings                | 197          | L3-02   | 150, 152, 200 |
| H3-01  | 50, 148, 198 | L3-04   | 151, 200      |
| H3-01 Details  | 50           | L3-05   | 200           |
| H3-13  | 130, 152     | L3-06   | 150, 200      |
| H3 Analog Input A1                                       | 198          | L3 Stall Prevention Function                                      | 199           |
| H4-01  | 198          | L4-01   | 200           |
| H4-03  | 198          | L4 Frequency Detection  | 200           |
| H4 Multi-Function Analog Output AM                       | 198          | L5-01   | 200           |
| H5-01  | 198          | L5 Fault Reset  | 200           |
| H5-02  | 198          | L6-01   | 200           |
| H5-03  | 198          | L6-02   | 201           |
| H5-04  | 199          | L6-03   | 201           |
| H5-05  | 199          | L6 Overtorque Detection   | 200           |
| H5-06  | 199          | L8: Hardware Protection   | 201           |
| H5-07  | 199          | L8-01   | 201           |
| H5-12  | 199          | L8-10   | 201           |
| H5-13  | 199          | L8-12   | 188, 201      |
| H5 MEMOBUS/Modbus Communications                         | 198          | L8-18   | 201           |
| Heatsink Cooling Fan Operation Selection                 | 201          | L8-29   | 188           |
| Heatsink Overheat  | 132, 142     | L8-35   | 201           |
| Heavy Duty Ratings                                       | 182          | L8-38   | 152, 201      |
| Hunting Prevention Gain                                  | 130          | LED Check   | 205           |
| Hunting Prevention Gain Setting                          | 202          | LED Operator  | 19, 58, 59    |
|  |              | LF  | 132, 135      |
| <b>I</b>   |              | LO/RE   | 60, 66, 70    |
| I/O Connections  | 34           | LOCAL   | 66            |
| IGBT Maintenance   | 204          | Local/Remote Run Selection  | 191           |
| IGBT Maintenance Setting                                 | 203          | Local/Remote Selection  | 196           |
| Initialize Parameters                                    | 191          | Low Voltage Directive   | 240           |
| Initial Operation  | 68           |   |               |

|  |                    |   |               |
|--|--------------------|---|---------------|
| Low Voltage Wiring.....  | 250                | Multi-Function Input Setting Error.....                           | 132           |
| L Protection Function.....   | 199                | Multiple Drive Wiring.....  | 43            |
| <b>M</b>   |                    |   |               |
| Magnetic Flux Compensation Capacity.....   | 192                | Multi-Step Speed Reference.....                                   | 196           |
| Main Circuit Connection Diagram.....   | 37, 43             | <b>N</b>  |               |
| Main Circuit Terminal Functions.....   | 40                 | n1-02.....  | 130, 202      |
| Main Circuit Terminal Power Supply.....  | 42                 | n1 Hunting Prevention.....  | 202           |
| Main Circuit Terminals Connection.....   | 37                 | n3: Overexcitation Braking.....                                   | 202           |
| Main Circuit Terminal Wiring.....  | 21, 247            | n3-13.....  | 202           |
| Main Frequency Reference.....  | 50                 | n Advanced Performance Set Up.....                                | 202           |
| Main Frequency Reference Input.....  | 45                 | Noise From the Drive or Output Lines When the Drive is Powered On | 151           |
| Maintenance Alarms.....  | 160                | No-Load Operation.....  | 70            |
| Master Speed Reference Lower Limit.....  | 194                | Normal Duty Ratings.....  | 182           |
| Maximum Motor Size Allowed (HP).....   | 183                | Number of Auto Restart Attempts.....                              | 200           |
| Maximum Motor Size Allowed (kW).....   | 184                | <b>O</b>  |               |
| Maximum Output Frequency.....  | 195                | o1 Display Settings.....  | 202           |
| MEMOBUS/Modbus Communication Error.....  | 131, 132, 133, 141 | o2-02.....  | 149, 202      |
| MEMOBUS/Modbus Communications Test Mode Complete.....                              | 143                | o2-04.....  | 202           |
| MEMOBUS/Modbus Communications Test Mode Error.....                                 | 143                | o2-05.....  | 202           |
| MEMOBUS/Modbus Error Code.....   | 204                | o2 Multi-Function Selections.....                                 | 202           |
| MEMOBUS/Modbus Test Mode Complete.....   | 132                | o4-01.....  | 203           |
| MEMOBUS/Modbus Test Mode Fault.....  | 132                | o4-02.....  | 203           |
| Mid Output Voltage A.....  | 130                | o4-03.....  | 203           |
| Minimum Output Frequency.....  | 152, 153           | o4-05.....  | 203           |
| Minimum Output Voltage.....  | 130                | o4-07.....  | 203           |
| Minor Alarms.....  | 131                | o4-09.....  | 203           |
| Minor Faults.....  | 131                | o4-11.....  | 203           |
| Modes.....   | 62                 | o4 Maintenance Period.....  | 203           |
| Momentary Power Loss Operation Selection.....                                      | 199                | oC.....   | 132, 135      |
| Monitor Output.....  | 45                 | oFA01.....  | 132, 136      |
| Motor Does Not Operate When an External Run Command is Input... 152                | 152                | oH.....   | 132, 142      |
| Motor Does Not Operate When the RUN Button on the Digital Operator is Pressed..... | 152                | oH1.....  | 132, 136      |
| Motor Does Not Rotate.....   | 148                | oL1.....  | 132, 136      |
| Motor Hunting and Oscillation Control Parameters.....                              | 130                | oL2.....  | 132, 137, 152 |
| Motor Hunting Occurs When Operating With a Light Load.....                         | 151                | oL3.....  | 132, 137, 143 |
| Motor is Too Hot.....  | 149                | oPE.....  | 145           |
| Motor Line-to-Line Resistance.....   | 195                | oPE01.....  | 132, 145      |
| Motor No-Load Current.....   | 195                | oPE02.....  | 132, 145      |
| Motor Overload.....  | 132, 136           | oPE03.....  | 132, 145      |
| Motor Overload Protection Selection.....   | 199, 251           | oPE05.....  | 132, 145      |
| Motor Overload Protection Time.....  | 199, 251           | oPE10.....  | 132, 146      |
| Motor Rated Current.....   | 195, 250           | oPE11.....  | 132, 146      |
| Motor Rated Slip.....  | 195                | Open-Chassis IP20.....  | 28, 29        |
| Motor Rotates After the Drive Output is Shut Off.....                              | 152                | Operating with the Load Connected.....                            | 71            |
| Motor Rotates Faster Than the Frequency Reference.....                             | 150                | Operation Errors.....   | 131, 132      |
| Motor Rotates in One Direction Only.....   | 153                | Operator Connection Fault.....                                    | 132           |
| Motor Stalls During Acceleration or With Large Loads.....                          | 150                | Operator Programming Errors.....                                  | 145           |
| Motor Stops During Acceleration or When a Load is Connected.....                   | 153                | Operator Related Parameters.....                                  | 202           |
| Motor Wiring.....  | 42                 | oPr.....  | 132, 138      |
| Multi-Function Analog 1 (Terminal AM Monitor Selection).....                       | 198                | Option Card Fault.....  | 136           |
| Multi-Function Digital Inputs.....   | 44                 | Option Unit Fault.....  | 132           |
| Multi-Function Digital Input Terminal S1 Function Selection.....                   | 196                | Oscillation or Hunting.....                                       | 152           |
| Multi-Function Digital Input Terminal S2 Function Selection.....                   | 196                | Output Current.....   | 203           |
| Multi-Function Digital Input Terminal S3 Function Selection.....                   | 196                | Output Current (A).....   | 183, 184      |
| Multi-Function Digital Input Terminal S4 Function Selection.....                   | 196                | Output Frequency.....   | 203           |
| Multi-Function Digital Input Terminal S5 Function Selection.....                   | 196                | Output Frequency is not as High as Frequency Reference.....       | 152           |
| Multi-Function Digital Output.....   | 45                 | Output Phase Loss.....  | 132, 135      |
| Multi-Function Input Selection Error.....  | 145                | Output Terminal Status.....                                       | 204           |
|  |                    | Output Voltage Reference.....                                     | 203           |

|   |               |   |               |
|---|---------------|---|---------------|
| ov.....   | 132, 138, 143 | Serial Communication Transmission Error .....           | 132, 141      |
| Overcurrent .....   | 132, 135      | Setup Mode .....  | 63, 67        |
| Overexcitation Deceleration Gain .....                        | 202           | Shielded Twisted-Pair Cables .....                      | 47            |
| Overheat 1 (Heatsink Overheat) .....                          | 136           | Side-by-Side Setup .....                                | 28            |
| Overload Tolerance .....                                      | 183, 184      | Sinking/Sourcing Mode Switch .....                      | 21            |
| Overtorque 1 .....  | 132, 143      | Slip Compensation Gain .....                            | 192           |
| Overtorque Detection 1 .....                                  | 132, 137      | Slip Compensation Primary Delay Time .....              | 193           |
| Overvoltage .....   | 132, 138      | Soft Charge Circuit Fault .....                         | 132           |
| ov Occurs When Starting a Fan or Motor Speed Loss Occurs..... | 152           | Soft Current Limit Selection .....                      | 201           |
| <b>P</b>  |               | Software No. (Flash) .....                              | 204           |
| Parameter Range Setting Error.....                            | 145           | Software No. (ROM).....                                 | 204           |
| Parameter Setting Range Error.....                            | 132           | Speed Agreement Detection Level .....                   | 200           |
| Parameter Settings .....                                      | 65            | Speed Search .....                                      | 198           |
| PASS .....  | 132, 143      | Stall Prevention .....                                  | 130           |
| Password .....  | 191           | Stall Prevention During Deceleration .....              | 52            |
| Password Setting.....   | 191           | Stall Prevention Level during Acceleration .....        | 200           |
| Password Settings.....  | 72            | Stall Prevention Level during Run .....                 | 200           |
| Peak Hold Current .....                                       | 205           | Stall Prevention Selection during Acceleration.....     | 200           |
| Peripheral Devices Affected by Drive Operation .....          | 153           | Stall Prevention Selection during Deceleration.....     | 200           |
| PF .....  | 132, 138      | Stall Prevention Selection during Run .....             | 200           |
| Phase Order Selection .....                                   | 192           | Standard Connection Diagram .....                       | 34, 35        |
| Poor Speed Control Accuracy.....                              | 150           | STOP Key Function Selection .....                       | 202           |
| Power Specifications 200 V Class Models .....                 | 183           | Stopping Method After Communication Error .....         | 199           |
| Power Specifications 400 V Class Models .....                 | 184           | <b>T</b>  |               |
| Previous Fault .....  | 204           | Terminal A1 Bias Setting .....                          | 198           |
| Programming Mode .....  | 62, 63, 64    | Terminal A1 Gain Setting .....                          | 198           |
| Protective Covers, Reattaching .....                          | 177           | Terminal A1 Signal Level Selection .....                | 198           |
| Protective Covers, Removing .....                             | 39, 177       | Terminal Block Configuration .....                      | 38            |
| PWM Feedback Data Fault.....                                  | 132           | Terminal Board Wiring Guide .....                       | 47            |
| PWM Feedback Fault .....                                      | 134           | Terminal MA, MB and MC Function Selection (relay) ..... | 197           |
| <b>R</b>  |               | Test Run .....  | 70            |
| RAM Fault .....   | 131, 132, 134 | Tightening Torque .....                                 | 40            |
| Rated Frequency .....   | 183, 184      | Timing Fault .....                                      | 131           |
| Rated Output Capacity (kVA) .....                             | 183           | Torque Compensation Gain .....                          | 130, 193      |
| Rated Voltage .....   | 183, 184      | Torque Detection 1 (N.O.) .....                         | 197           |
| REMOTE .....  | 66            | Torque Detection 2 (N.O.) .....                         | 197           |
| Replacement Parts .....                                       | 188           | Torque Detection Level 1 .....                          | 201           |
| Restart Enabled .....   | 197           | Torque Detection Selection 1 .....                      | 200           |
| Reverse Direction .....                                       | 197           | Torque Detection Time 1 .....                           | 201           |
| Reverse Operation Selection .....                             | 191           | Torque Specifications, Single Phase 200 V Class .....   | 40, 247       |
| Reverse Run Command (2-Wire sequence).....                    | 197           | Torque Specifications, Three Phase 200 V Class .....    | 41, 248       |
| rH .....  | 132, 139      | Torque Specifications, Three Phase 400 V Class .....    | 41, 248       |
| RTS Control Selection .....                                   | 199           | Transistor Input Signal .....                           | 48, 49        |
| Run Command at Power Up.....                                  | 192           | <b>U</b>  |               |
| Run Command Input Error .....                                 | 132           | U1-01 .....   | 148, 150, 203 |
| Run Command Selection .....                                   | 148, 191      | U1-02 .....   | 203           |
| Run Command Selection during Program .....                    | 191           | U1-03 .....   | 203           |
| Run Command Selection Error .....                             | 132           | U1-06 .....   | 203           |
| <b>S</b>  |               | U1-07 .....   | 148, 203      |
| Safety Hazard Definitions .....                               | 11            | U1-09 .....   | 148           |
| Safety Information.....                                       | 11            | U1-11 .....   | 204           |
| S-Curve Characteristic at Accel End.....                      | 192           | U1-13 .....   | 204           |
| S-Curve Characteristic at Accel Start .....                   | 192           | U1-19 .....   | 204           |
| S-Curve Characteristic at Decel End.....                      | 192           | U1-25 .....   | 204           |
| S-Curve Characteristic at Decel Start .....                   | 192           | U1-26 .....   | 204           |
| S-Curve Characteristics .....                                 | 130           | U1 Operation Status Monitors .....                      | 203           |
| SE .....  | 132, 143      | U2-01 .....   | 204           |
| Serial Communication Reference Selection.....                 | 196           | U2-02 .....   | 147, 204      |

## Index

---

|  |          |
|--|----------|
| U2 Fault History .....                         | 204      |
| U2 Initialization.....                         | 203      |
| U4: Maintenance Monitors .....                 | 204      |
| U4-05.....                                     | 204      |
| U4-06.....                                     | 204      |
| U4-07.....                                     | 204      |
| U4-08.....                                     | 205      |
| U4-09.....                                     | 205      |
| U4-13.....                                     | 205      |
| UL Standards.....                              | 247      |
| U Monitors.....                                | 110      |
| Undervoltage .....                             | 132, 143 |
| Undervoltage 3.....                            | 139      |
| Unexpected Noise from Connected Machinery..... | 151      |
| Up Command.....                                | 196      |
| User Monitor Selection After Power Up .....    | 202      |
| Uv.....  | 132, 143 |
| Uv1 .....                                      | 132, 139 |
| Uv3 .....                                      | 132, 139 |
| <b>V</b>                                       |          |
| V/f Data Setting Error.....                    | 132, 146 |
| V/f Pattern Selection .....                    | 195      |
| Verify Menu.....                               | 63       |
| <b>W</b>                                       |          |
| Watchdog Circuit Exception .....               | 132, 134 |
| Watt Loss 200 V Class Single Phase Models..... | 187      |
| Watt Loss 200 V Class Three Phase Models.....  | 187      |
| Watt Loss 400 V Class Three Phase Models.....  | 187      |
| Wire Gauge, Single Phase 200 V Class.....      | 40, 247  |
| Wire Gauge, Three Phase 200 V Class .....      | 41, 248  |
| Wire Gauge, Three Phase 400 V Class .....      | 41, 248  |
| Wire Gauges.....                               | 40       |
| Wiring Checklist.....                          | 54       |
| Wiring Procedure .....                         | 46       |
| <b>Z</b>                                       |          |
| Zero Speed.....                                | 197      |



**This Page Intentionally Blank**

## Revision History

MANUAL NO. SIEP C710606 31B <1>  
 Revision number  
 Published in Japan December 2011  
 Date of publication

The revision dates and the numbers of the revised manuals appear on the bottom of the back cover.

| Date of Publication | Revision Number | Section                | Revised Content  |
|---------------------|-----------------|------------------------|--|
| May 2015            | <3>             | Front Cover, Spine     | Revision: Format   |
|                     |                 | All                    | Revision: Reviewed and corrected documentation   |
|                     |                 | Chapter 3              | Addition: Safety message regarding motor leads   |
|                     |                 | Appendix C             | Revision: Wiring Diagram for Multiple Connections  |
|                     |                 | Appendix D             | Revision: UL Factory Recommended Branch Circuit Protection   |
|                     |                 | Back Cover             | Revision: Format and address   |
| March 2014          | <2>             | All                    | Revision: Reviewed and corrected documentation   |
|                     |                 | Chapter 2              | Revision: Ambient Temperature  |
|                     |                 | Appendix A             | Revision: Ambient Temperature<br>Revision: Standards   |
|                     |                 | Appendix D             | Addition: Fuse List for European Standards<br>Addition: Ambient Temperature for UL Standards<br>Revision: Wire Gauge and Torque Specifications for UL Standards<br>Revision: Standards<br>Revision: Low Voltage Wiring for Control Circuit Terminals |
|                     |                 | Back Cover             | Revision: Address  |
| December 2011       | <1>             | Front Cover            | Revision: Format   |
|                     |                 | All                    | Revision: Reviewed and corrected documentation   |
|                     |                 | Chapter 3<br>Chapter 8 | Revision: Precautions on installing a leakage breaker<br>Revision: Wire Gauge and Torque Specifications  |
|                     |                 | Appendix D             | Revision: Wire Gauge and Torque Specifications<br>Revision: Closed-Loop Crimp Terminal Size<br>Revision: Fuse List   |
|                     |                 | Back Cover             | Revision: Format and address   |
| June 2008           | -               | -                      | First Edition  |



# YASKAWA AC Drive-J1000

Compact V/f Control Drive

## Technical Manual

---

### **YASKAWA AMERICA, INC.**

2121, Norman Drive South, Waukegan, IL 60085, U.S.A.  
Phone: 1-800-YASKAWA (927-5292) or 1-847-887-7000 Fax: 1-847-887-7310  
<http://www.yaskawa.com>

### **DRIVE CENTER (INVERTER PLANT)**

2-13-1, Nishimiyaichi, Yukuhashi, Fukuoka, 824-8511, Japan  
Phone: 81-930-25-3844 Fax: 81-930-25-4369  
<http://www.yaskawa.co.jp>

### **YASKAWA ELECTRIC CORPORATION**

New Pier Takeshiba South Tower, 1-16-1, Kaigan, Minatoku, Tokyo, 105-6891, Japan  
Phone: 81-3-5402-4502 Fax: 81-3-5402-4580  
<http://www.yaskawa.co.jp>

### **YASKAWA ELÉTRICO DO BRASIL LTDA.**

777, Avenida Piraporinha, Diadema, São Paulo, 09950-000, Brasil  
Phone: 55-11-3585-1100 Fax: 55-11-3585-1187  
<http://www.yaskawa.com.br>

### **YASKAWA EUROPE GmbH**

185, Hauptstraße, Eschborn, 65760, Germany  
Phone: 49-6196-569-300 Fax: 49-6196-569-398  
<http://www.yaskawa.eu.com>

### **YASKAWA ELECTRIC KOREA CORPORATION**

9F, Kyobo Securities Bldg., 26-4, Yeouido-dong, Yeongdeungpo-gu, Seoul, 150-737, Korea  
Phone: 82-2-784-7844 Fax: 82-2-784-8495  
<http://www.yaskawa.co.kr>

### **YASKAWA ELECTRIC (SINGAPORE) PTE. LTD.**

151, Lorong Chuan, #04-02A, New Tech Park, 556741, Singapore  
Phone: 65-6282-3003 Fax: 65-6289-3003  
<http://www.yaskawa.com.sg>

### **YASKAWA ELECTRIC (THAILAND) CO., LTD.**

252/125-126, 27th Floor, Muang Thai-Phatra Tower B, Rachadapisek Road, Huaykwang, Bangkok, 10310, Thailand  
Phone: 66-2693-2200 Fax: 66-2693-4200  
<http://www.yaskawa.co.th>

### **YASKAWA ELECTRIC (CHINA) CO., LTD.**

22F, One Corporate Avenue, No.222, Hubin Road, Shanghai, 200021, China  
Phone: 86-21-5385-2200 Fax: 86-21-5385-3299  
<http://www.yaskawa.com.cn>

### **YASKAWA ELECTRIC (CHINA) CO., LTD. BEIJING OFFICE**

Room 1011, Tower W3 Oriental Plaza, No. 1, East Chang An Ave.,  
Dong Cheng District, Beijing, 100738, China  
Phone: 86-10-8518-4086 Fax: 86-10-8518-4082

### **YASKAWA ELECTRIC TAIWAN CORPORATION**

9F, 16, Nanking E. Rd., Sec. 3, Taipei, 104, Taiwan  
Phone: 886-2-2502-5003 Fax: 886-2-2505-1280

### **YASKAWA INDIA PRIVATE LIMITED**

#17/A, Electronics City, Hosur Road, Bangalore, 560 100 (Karnataka), India  
Phone: 91-80-4244-1900 Fax: 91-80-4244-1901  
<http://www.yaskawaindia.in>

---

# YASKAWA

YASKAWA ELECTRIC CORPORATION

In the event that the end user of this product is to be the military and said product is to be employed in any weapons systems or the manufacture thereof, the export will fall under the relevant regulations as stipulated in the Foreign Exchange and Foreign Trade Regulations. Therefore, be sure to follow all procedures and submit all relevant documentation according to any and all rules, regulations and laws that may apply.

Specifications are subject to change without notice for ongoing product modifications and improvements.

© 2008-2015 YASKAWA ELECTRIC CORPORATION

MANUAL NO. SIEP C710606 31D <3>

Published in U.S.A. May 2015

14-10-13\_YAI